

THE
BARRETO
MODEL 13STKH - 16STKB
HYDRAULIC TRENCHER EXPLODED VIEWS
WITH PART NUMBERS

CONGRATULATIONS!

You are now the proud owner of a BARRETO trencher. The following pages have detailed views of your trencher, along with corresponding part numbers. If you have any questions or need any replacement parts in the future, please contact us at your convenience. Our toll-free phone number, fax and email are listed below and parts may be ordered through any of these methods.

Thank you for your patronage and confidence in BARRETO equipment.

Barreto Manufacturing, Inc.
Innovative Equipment Engineered to Last
66498 Highway 203
La Grande, OR 97850
1-800-525-7348
1-541-963-6755 Fax
E-Mail: info@barretomfg.com
Web Site: <http://www.barretomfg.com>

Machine Identification Record

BARRETO Customer number _____

Machine model number _____

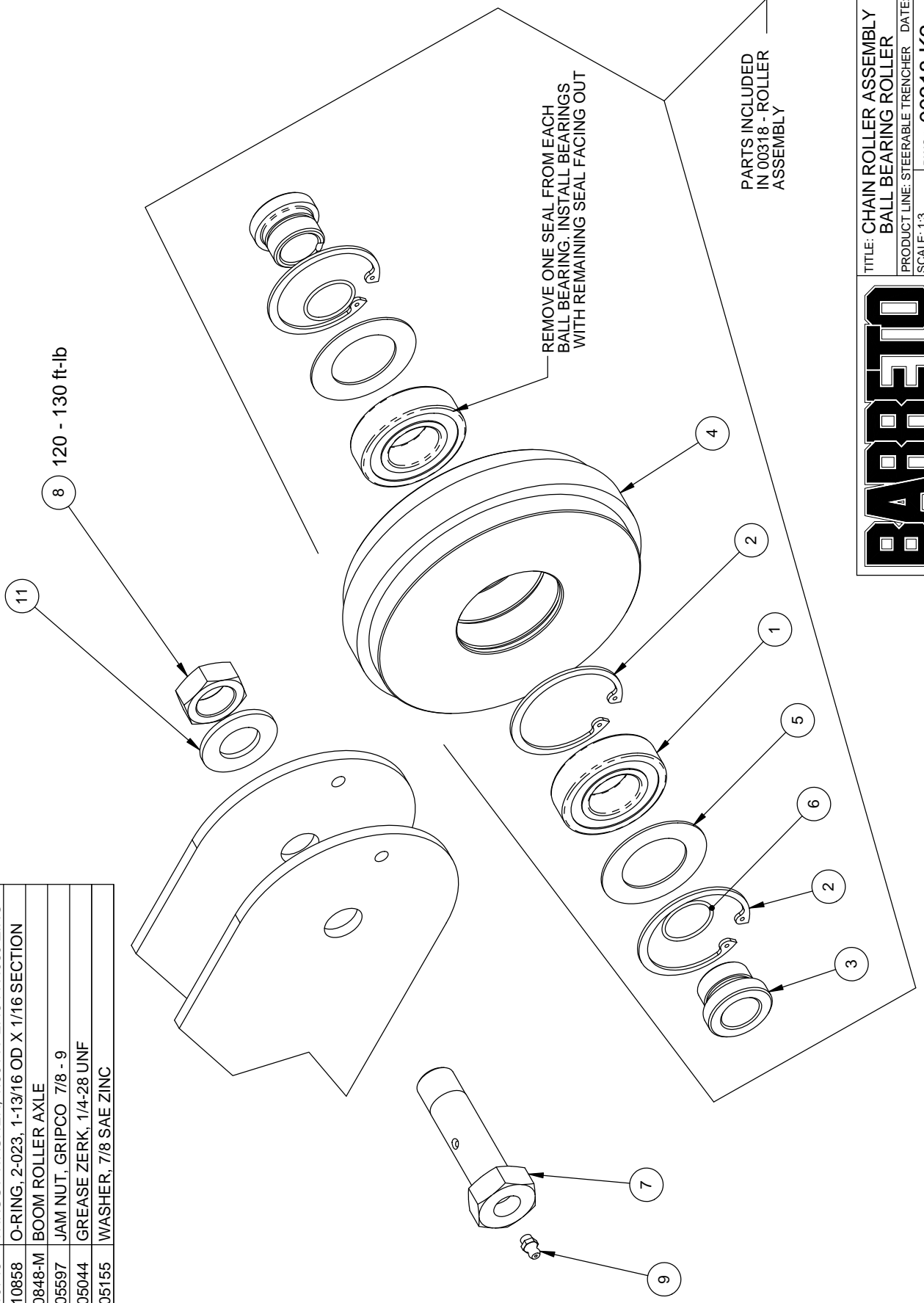
Machine serial number _____

Engine manufacturer _____

Engine model number _____

Engine serial number _____

REF	QTY.	PART NO.	DESCRIPTION
1	2	03280	BALL BEARING, SKF 6206
2	3	10742	SNAP RING, HO-244, 2-7/16 INTERNAL
3	2	10743	SPACER
4	1	02621-B	CHAIN ROLLER, BALL BRG
5	2	10745	THRUST WASHER, 1.501 X 2.434 X .060 ZINC
6	2	10858	O-RING, 2-023, 1-13/16 OD X 1/16 SECTION
7	1	10848-M	BOOM ROLLER AXLE
8	1	05597	JAM NUT, GRIPCO 7/8 - 9
9	1	05044	GREASE ZERK, 1/4-28 UNF
11	1	05155	WASHER, 7/8 SAE ZINC



BARRETO

TITLE: CHAIN ROLLER ASSEMBLY
BALL BEARING ROLLER

PRODUCT LINE: STEERABLE TRENCHER DATE: 08/05

SCALE: 1:3

SHEET 1 OF 1

DWG# 00318-K2

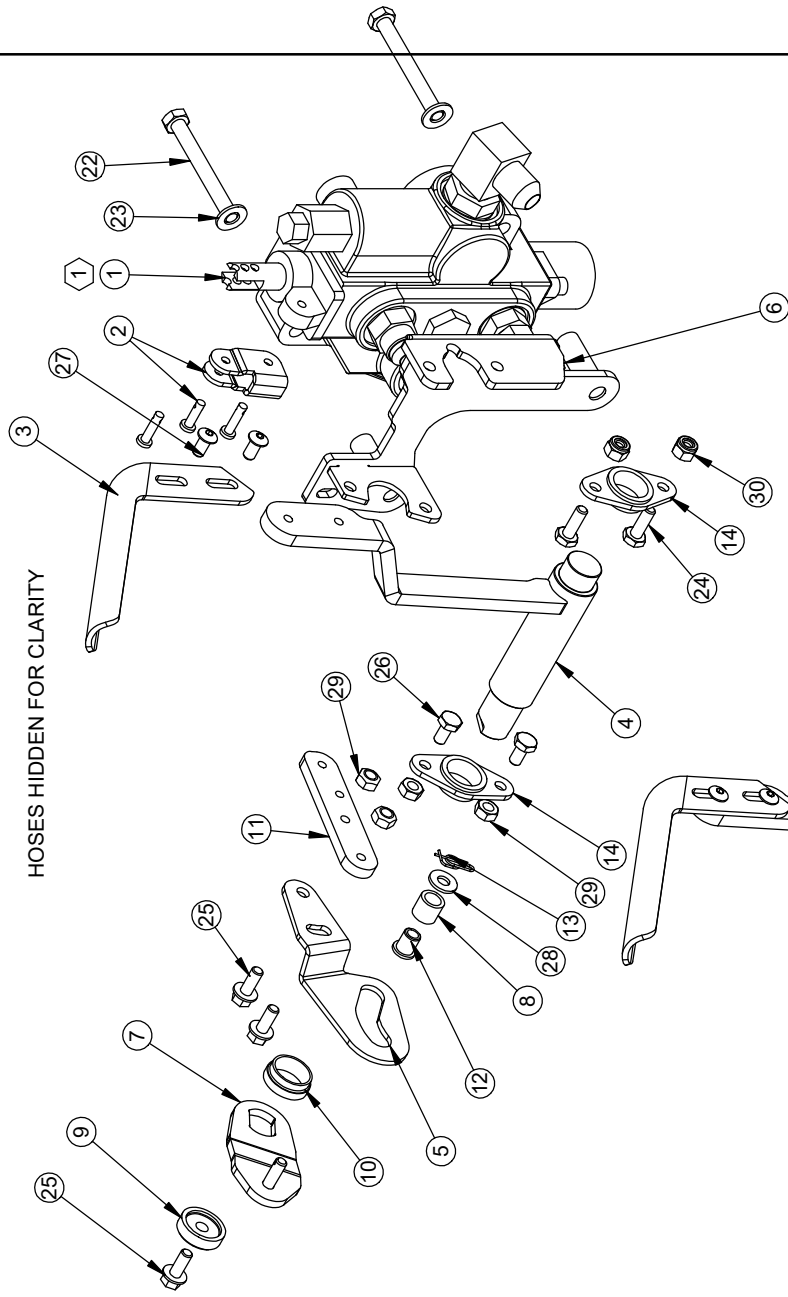
ITEM NO.	QTY.	PART NO.	DESCRIPTION
1	1	04509-2.8	VALVE, PRINCE RD4100, 2800 PSI
2	1	04509-01	VALVE LINK W/ PINS
3	1	12798 R1	TRENCH LEVER
4	1	12799 R1	LEVER BASE
5	1	12800	VALVE ROCKER
6	1	12801	LEVER BRACKET
7	1	12803 R1	CAM ARM
8	1	12804	VALVE ROLLER
9	1	12805	CAP WASHER
10	1	12806 R1	SPACER
11	1	12843	VALVE ROCKER PLATE
12	1	03029-04	BUSHING, MICRO PLASTICS 12SWS1048
13	1	05038	RUE RING COTTER #8
14	2	12381	IGUS FLANGE JFL-20
15	1	04211	FITTING, 6801-8-10
16	1	13666	HOSE: PUMP TOP-CHAIN VALVE REAR
17	1	04210	FITTING, 6802-8-8
18	1	13674B	HOSE: CHAIN VALVE BOTTOM/ MOTOR TOP
19	1	04520	FITTING, 6400-8-8
20	1	13674	HOSE: CHAIN VALVE TOP : MOTOR BOTTOM
21	1	10800	HYDRAULIC FITTING, 6400-0-6-10
22	2	05065	HH CAP SCREW, 5/16-18 NC X 2-3/4 G5 ZINC
23	2	05068	WASHER, 5/16 SAE ZINC
24	2	05554	HH CAP SCREW, 1/4-20 NC X 3/4 G5 ZINC
25	3	05069	WHIZ-LOCK 1/4 - 20 X 5/8
26	2	05557	HH CAP SCREW, 1/4-20 NC X 1/2 G5 ZINC
27	2	05507	BHSCS, 1/4 NC X 1/2 ZN
28	1	05081	WASHER, 1/4 SAE ZINC
29	4	10773	NUT, GRIPCO, 1/4-20 NC G5 ZINC
30	2	05096	NUT, NYLOCK, 1/4-20 NC ZINC

ORIENTATIONS GIVEN ARE AS THE COMPONENTS SIT ON THE MACHINE VIEWED FROM THE OPERATOR'S POSITION

TO LIFT VALVE RIGHT
TO CHAIN MOTOR BOTTOM
TO CHAIN MOTOR TOP

1 VALVE PART NO. 04509 : 3500 PSI RELIEF FOR 16HP APPLICATION

HOSES HIDDEN FOR CLARITY



RELEASE DATE	9/8/16
REVISED DATE	5/26/17
REVISION #	1

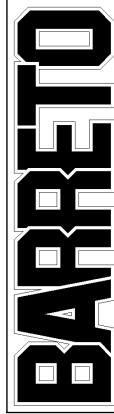
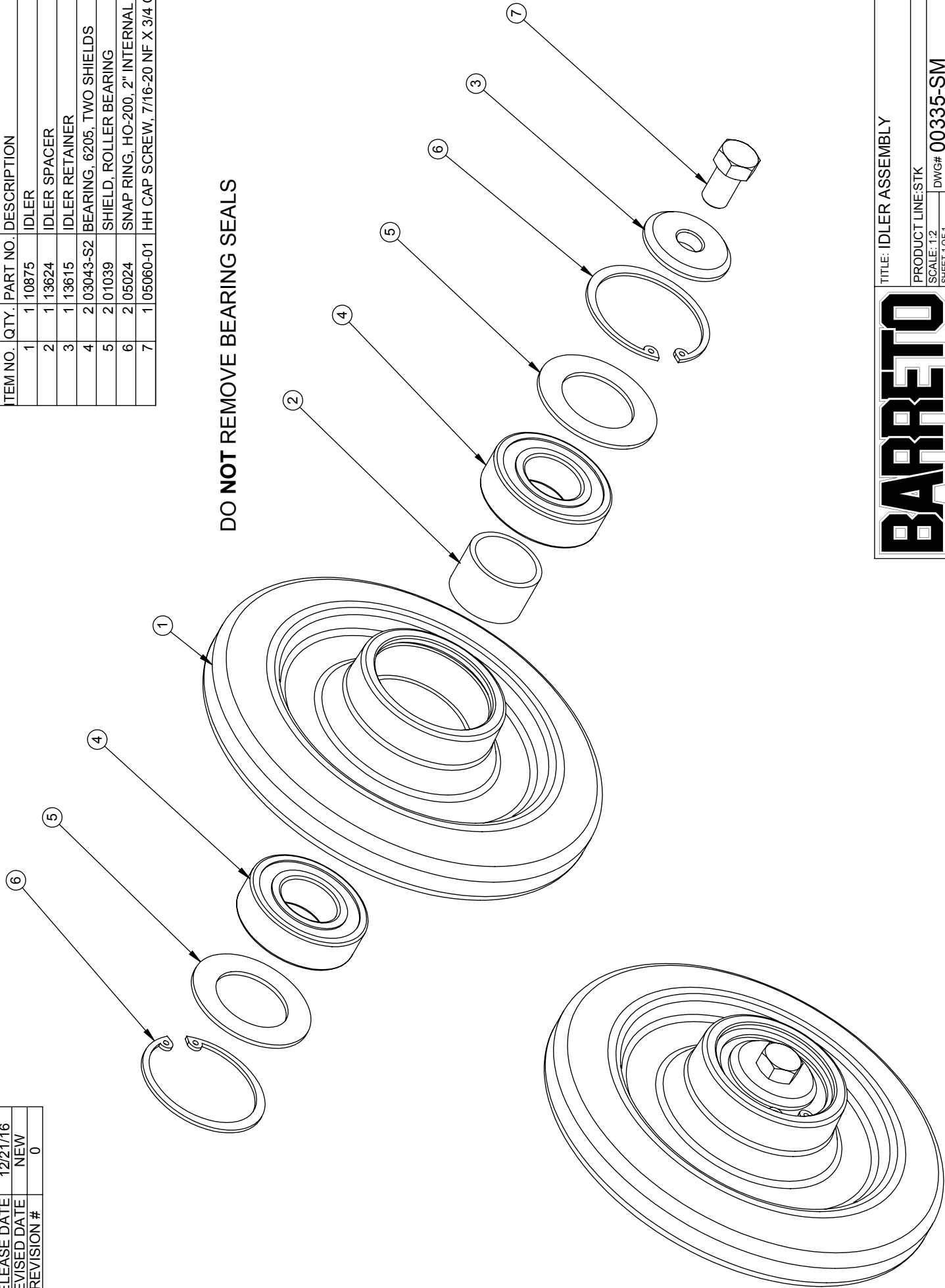
BARRETO

TITLE: CONTROL VALVE ASSEMBLY, STK
PRODUCT LINE:STK
SCALE:1:4
SHEET:1 OF 1
DWG# 00322-STK R1

RELEASE DATE	12/21/16
REVISED DATE	NEW
REVISION #	0

ITEM NO.	QTY.	PART NO.	DESCRIPTION
1	1	10875	IDLER
2	1	13624	IDLER SPACER
3	1	13615	IDLER RETAINER
4	2	03043-S2	BEARING, 6205, TWO SHIELDS
5	2	01039	SHIELD, ROLLER BEARING
6	2	05024	SNAP RING, HO-200, 2" INTERNAL
7	1	05060-01	HH CAP SCREW, 7/16-20 NF X 3/4 G

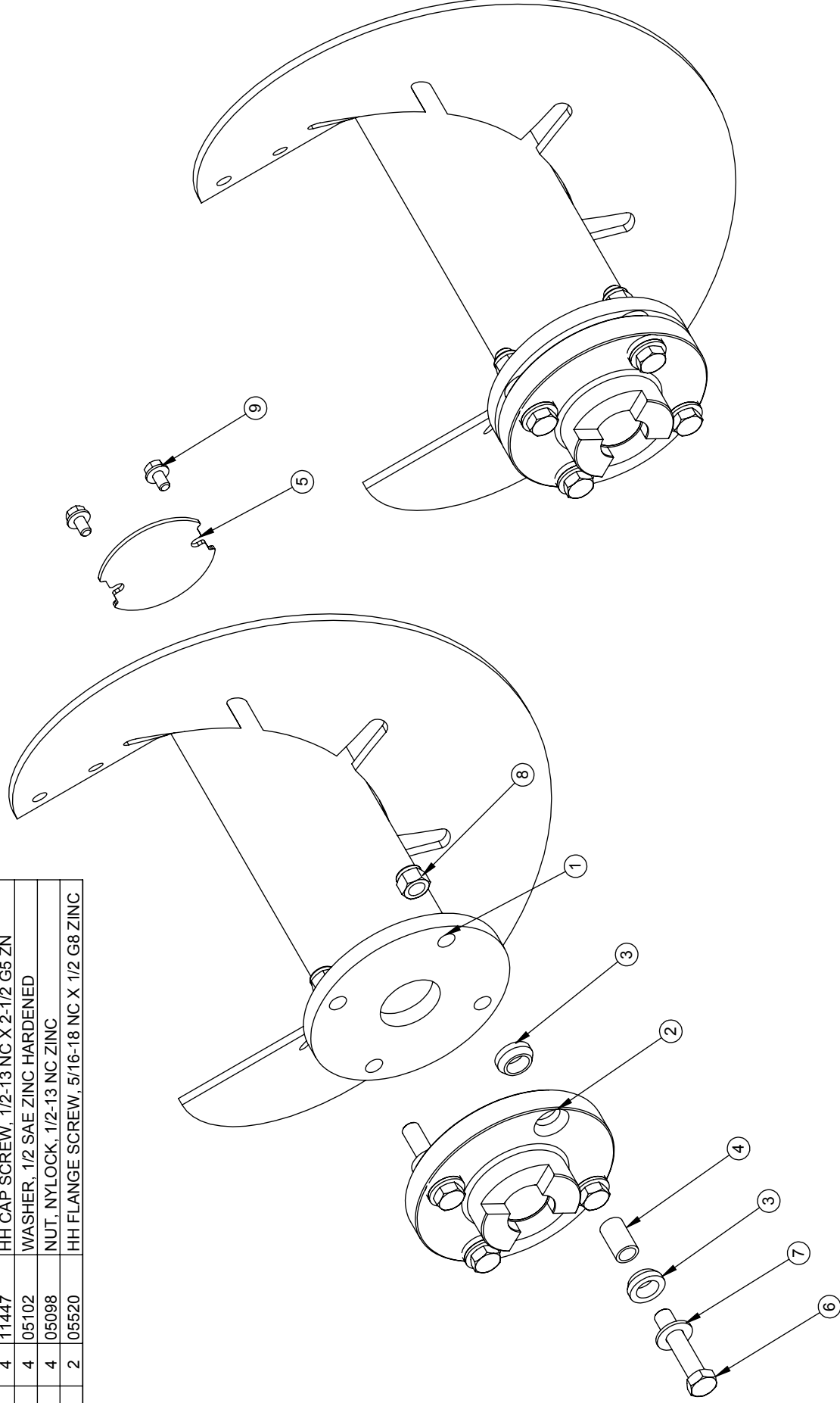
DO NOT REMOVE BEARING SEALS



TITLE: IDLER ASSEMBLY	
PRODUCT LINE: STK	DWG# 00335-SM
SCALE: 1:2	SHEET 1 OF 1

ITEM NO.	QTY.	PART NO.	DESCRIPTION
1	1	11220-STK	AUGER
2	1	11221 R1	CUSHION FLANGE
3	8	10958	RUBBER BUSHING
4	4	10959	BUSHING SPACER
5	1	13726	AUGER END CAP
6	4	11447	HH CAP SCREW, 1/2-13 NC X 2-1/2 G5 ZN
7	4	05102	WASHER, 1/2 SAE ZINC HARDENED
8	4	05098	NUT, NYLOCK, 1/2-13 NC ZINC
9	2	05520	HH FLANGE SCREW, 5/16-18 NC X 1/2 G8 ZINC

RELEASE DATE	1/9/17
REVISED DATE	NEW
REVISION #	0



BARRETO

TITLE: AUGER ASSEMBLY

PRODUCT LINE: STK

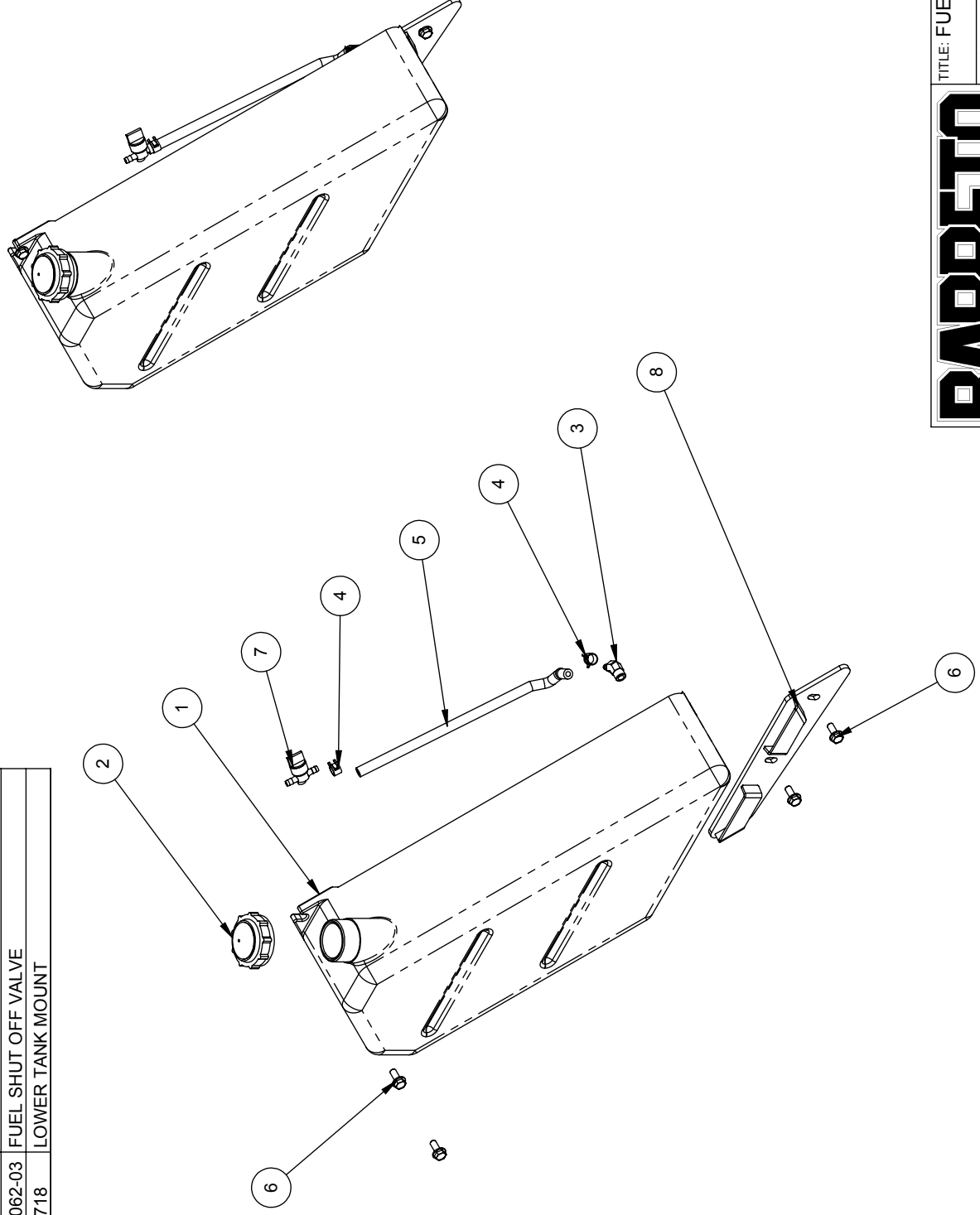
SCALE: 1:4

SHEET 1 OF 1

DWG# 00372-STK

ITEM NO.	QTY.	PART NO.	DESCRIPTION
1	1	03263N	FUEL TANK, "BARRETO"
2	1	03062-12	FUEL TANK CAP, KELCH
3	1	03062-17	FITTING, 1/4 NPT-M TO 1/4 HOSE BIB, 45 EL
4	2	03062-06	CLAMP, 1/4" FUEL LINE
5	1	111563	FUEL HOSE
6	4	05140	WHIZ-LOCK 5/16 - 18 X 3/4
7	1	03062-03	FUEL SHUT OFF VALVE
8	1	13718	LOWER TANK MOUNT

RELEASE DATE	12/21/16
REVISED DATE	NEW
REVISION #	0



BARRETO

TITLE: FUEL TANK ASSEMBLY

PRODUCT LINE: STK B-S 16 HP

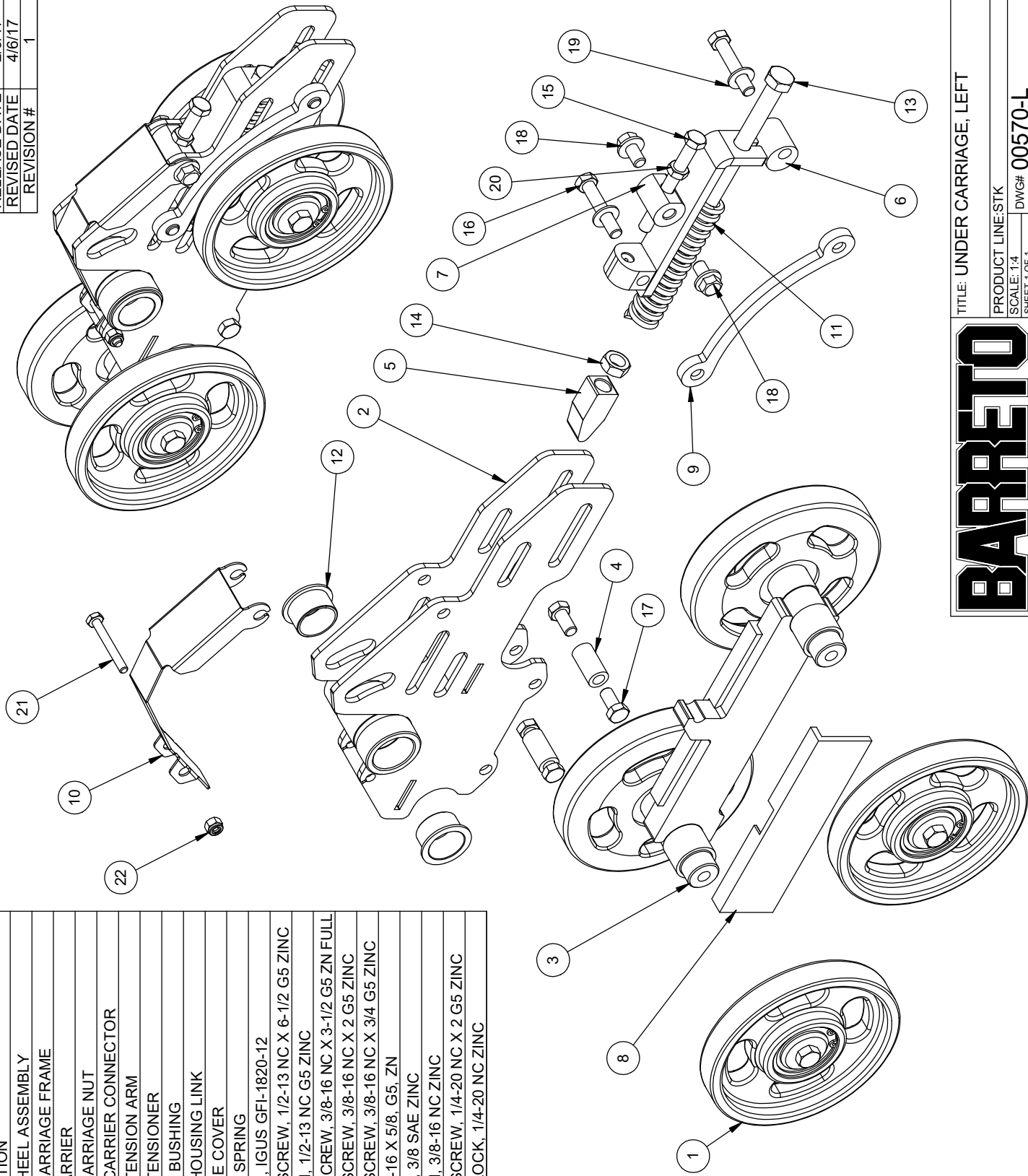
SCALE: 1:8

DWG# 00456-STK

SHEET 1 OF 1

RELEASE DATE	2/9/17
REVISED DATE	4/6/17
REVISION #	1

ITEM NO.	QTY.	PART NO.	DESCRIPTION
1	4	00587	IDLER WHEEL ASSEMBLY
2	1	13609	UNDER CARRIAGE FRAME
3	1	13602	IDLER CARRIER
4	2	13616	UNDER CARRIAGE NUT
5	1	13617	SPRING-CARRIER CONNECTOR
6	1	13618	SPRING TENSION ARM
7	1	13619	SPRING TENSIONER
8	2	13620	CARRIER BUSHING
9	1	13622	SPRING HOUSING LINK
10	1	13722	CARRIAGE COVER
11	1	13681	TENSION SPRING
12	2	10212	BUSHING, IGUS GFI-1820-12
13	1	10276	HH CAP SCREW, 1/2-13 NC X 6-1/2 G5 ZINC
14	1	11056	NUT, JAM, 1/2-13 NC G5 ZINC
15	1	05430	HH CAP SCREW, 3/8-16 NC X 3-1/2 G5 ZN FULL
16	2	05262	HH CAP SCREW, 3/8-16 NC X 2 G5 ZINC
17	4	05057	HH CAP SCREW, 3/8-16 NC X 3/4 G5 ZINC
18	2	05431	HHFS 3/8-16 X 5/8, G5, ZN
19	2	05101	WASHER, 3/8 SAE ZINC
20	1	05105	NUT, JAM, 3/8-16 NC ZINC
21	1	05591	HH CAP SCREW, 1/4-20 NC X 2 G5 ZINC
22	1	05096	NUT, NYLOCK, 1/4-20 NC ZINC



BARRETO

TITLE: UNDER CARRIAGE, LEFT

PRODUCT LINE:STK

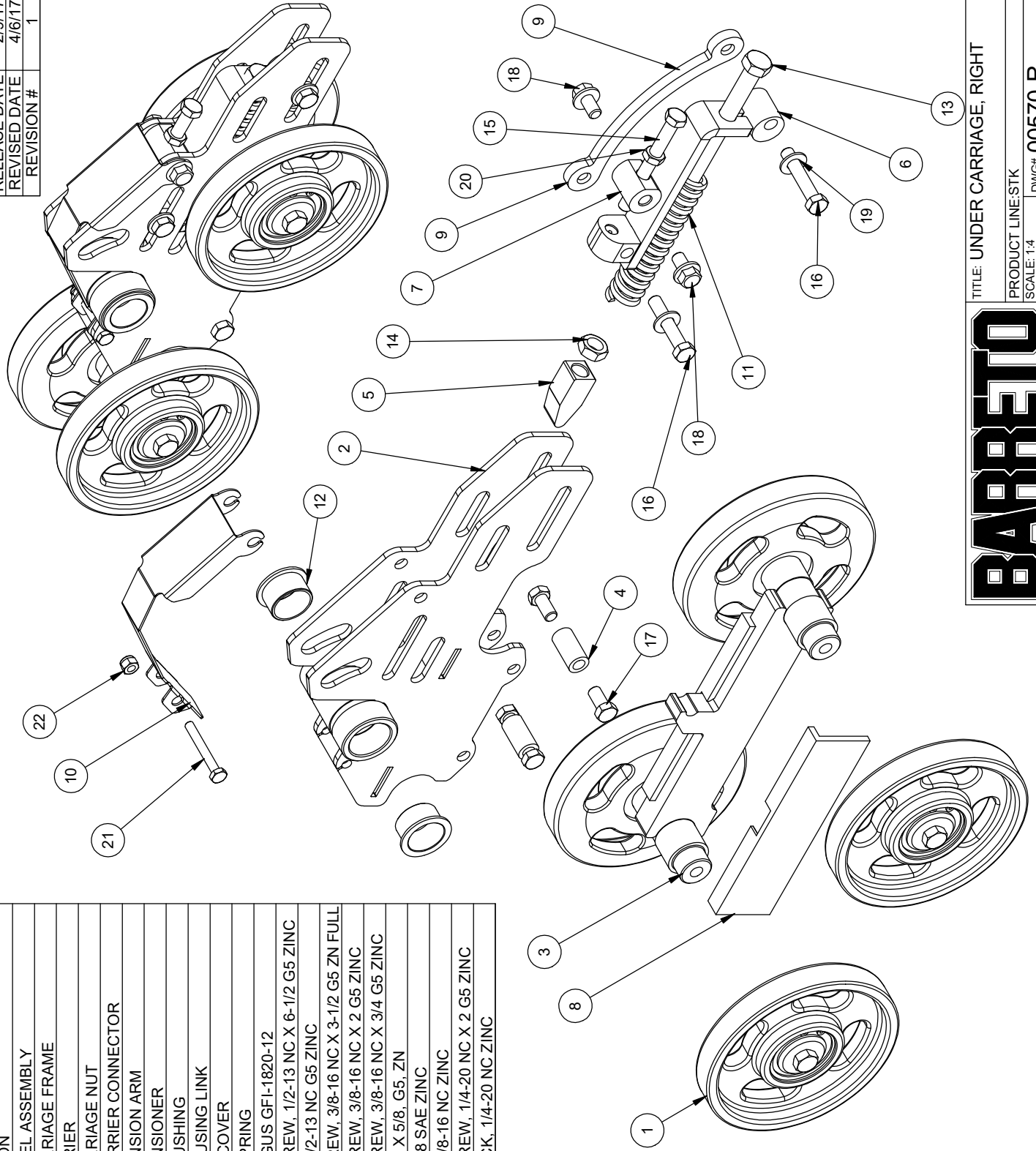
SCALE: 1:4

SHEET 1 OF 1

DWG# 00570-L

ITEM NO.	QTY.	PART NO.	DESCRIPTION
1	4	00587	IDLER WHEEL ASSEMBLY
2	1	13609	UNDER CARRIAGE FRAME
3	1	13602	IDLER CARRIER
4	2	13616	UNDER CARRIAGE NUT
5	1	13617	SPRING-CARRIER CONNECTOR
6	1	13618	SPRING TENSION ARM
7	1	13619	SPRING TENSIONER
8	2	13620	CARRIER BUSHING
9	1	13622	SPRING HOUSING LINK
10	1	13722	CARRIAGE COVER
11	1	13681	TENSION SPRING
12	2	10212	BUSHING, IGUS GF1-1820-12
13	1	10276	HH CAP SCREW, 1/2-13 NC X 6-1/2 G5 ZINC
14	1	11056	NUT, JAM, 1/2-13 NC G5 ZINC
15	1	05430	HH CAP SCREW, 3/8-16 NC X 3-1/2 G5 ZN FULL
16	2	05262	HH CAP SCREW, 3/8-16 NC X 2 G5 ZINC
17	4	05057	HH CAP SCREW, 3/8-16 NC X 3/4 G5 ZINC
18	2	05431	HHFS 3/8-16 X 5/8, G5, ZN
19	2	05101	WASHER, 3/8 SAE ZINC
20	1	05105	NUT, JAM, 3/8-16 NC ZINC
21	1	05591	HH CAP SCREW, 1/4-20 NC X 2 G5 ZINC
22	1	05096	NUT, NYLOCK, 1/4-20 NC ZINC

RELEASE DATE	2/9/17
REVISED DATE	4/6/17
REVISION #	1



BARRETO

TITLE: UNDER CARRIAGE, RIGHT

PRODUCT LINE:STK

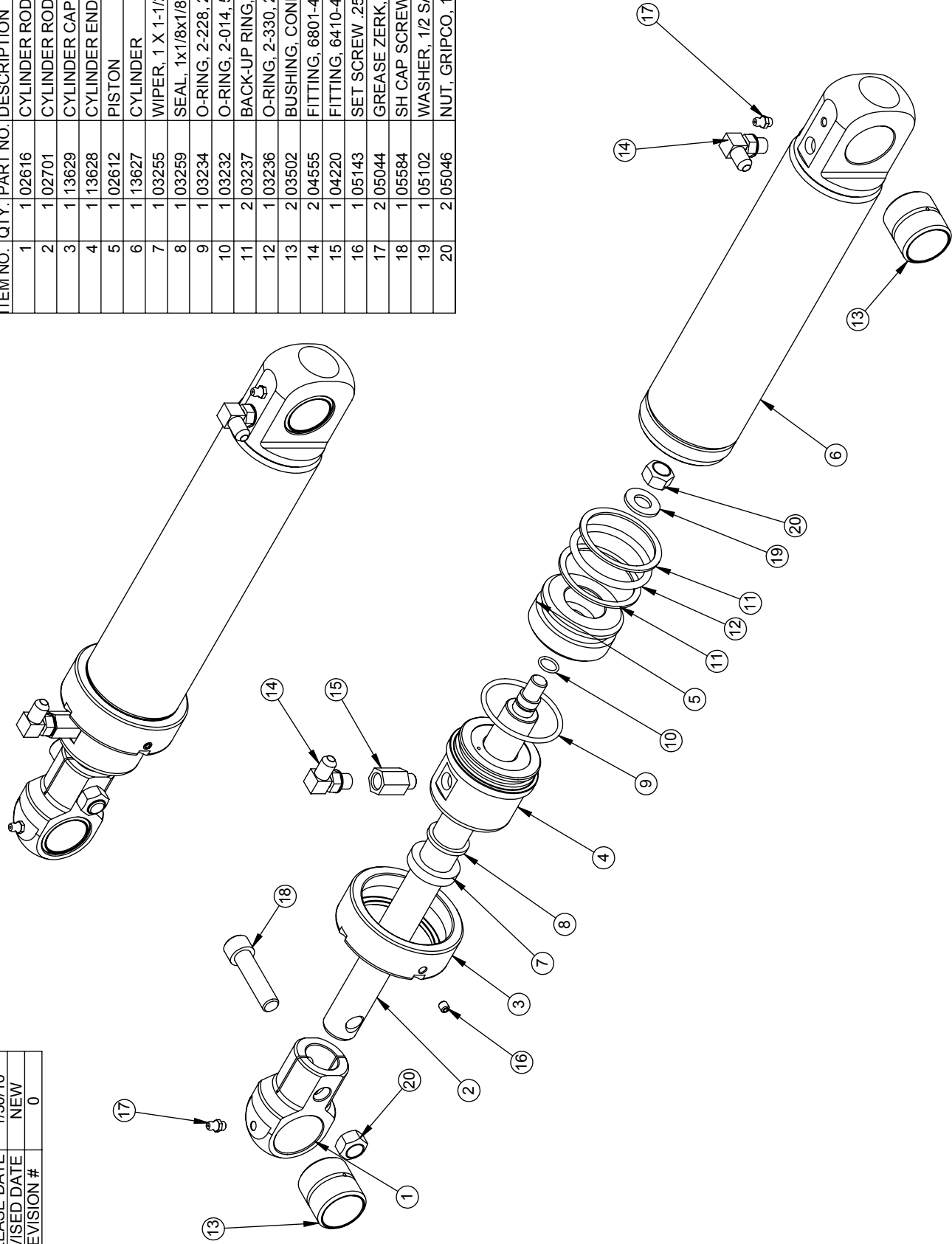
SCALE: 1:4

SHEET 1 OF 1

DWG# 00570-R

RELEASE DATE	1/30/16
REVISED DATE	NEW
REVISION #	0

ITEM NO.	QTY.	PART NO.	DESCRIPTION
1	1	102616	CYLINDER ROD END
2	1	102701	CYLINDER ROD
3	1	113629	CYLINDER CAP
4	1	113628	CYLINDER END
5	1	102612	PISTON
6	1	113627	CYLINDER
7	1	103255	WIPER, 1 X 1-1/2 X 5/16 J-1000
8	1	103259	SEAL, 1x1/8x1/8 ROD
9	1	103234	O-RING, 2-228, 2-1/2 OD X 1/8 SECTION
10	1	103232	O-RING, 2-014, 5/8 OD X 1/16 SECTION
11	2	103237	BACK-UP RING, 8-330N90 PARBAK
12	1	103236	O-RING, 2-330, 2-1/2 OD X 3/16 SECTION
13	2	103502	BUSHING, CONNEX 1.5X1.25X1
14	2	104555	FITTING, 6801-4-4
15	1	104220	FITTING, 6410-4-4
16	1	105143	SET SCREW .25 NF X .25 CUP
17	2	105044	GREASE ZERK, 1/4-28 UNF
18	1	105584	SH CAP SCREW, 1/2-13 NC X 2 ZINC
19	1	105102	WASHER, 1/2 SAE ZINC HARDENED
20	2	105046	NUT, GRIPCO, 1/2-13 NC G5 ZINC



BARRETO

TITLE: BOOM CYLINDER ASSEMBLY
PRODUCT LINE: STK
SCALE: 1:4
SHEET 1 OF 1
DWG# 00571

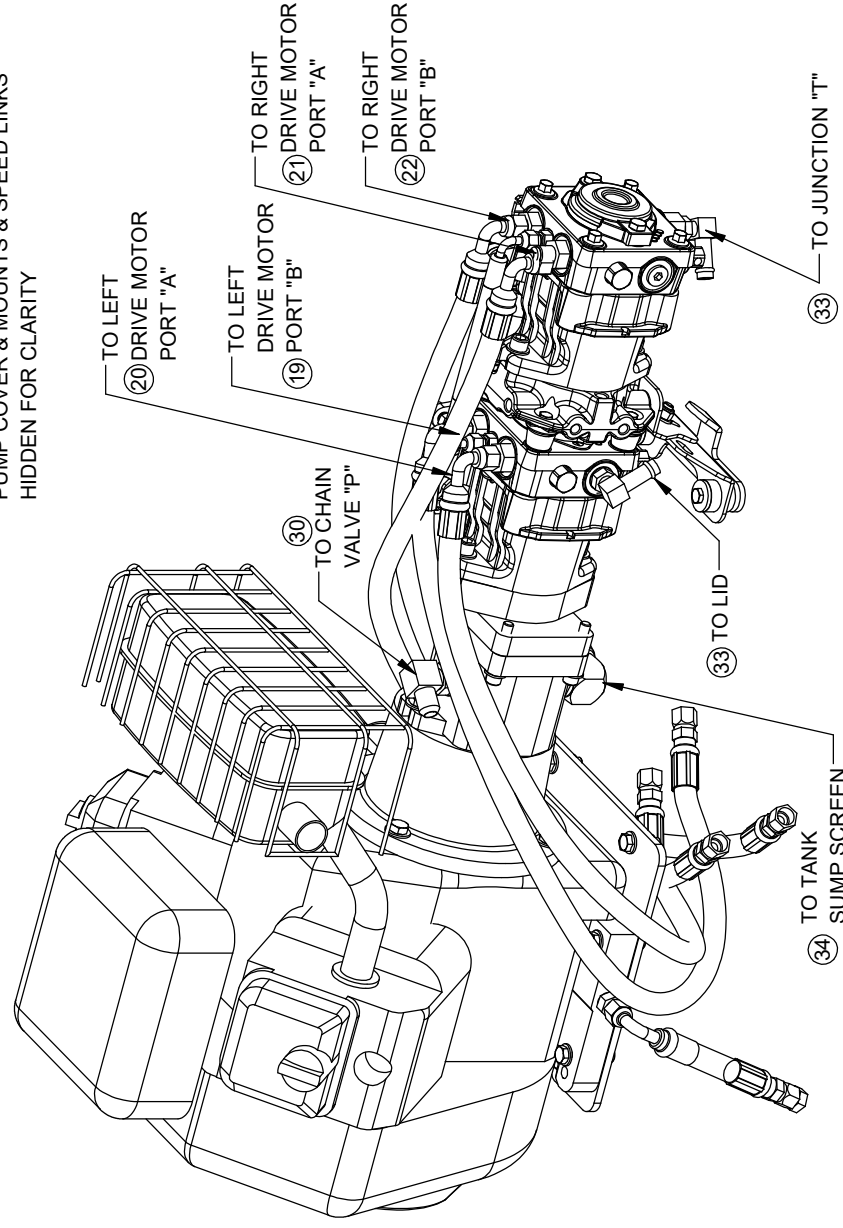
ITEM NO.	QTY.	PART NO.	DESCRIPTION	ITEM NO.	QTY.	PART NO.	DESCRIPTION
1	1	107000-E	ENGINE, 16 HP BRIGGS	48	8	05273	NUT, NYLOCK, 5/16-18 NC ZINC
2	1	107000-10	MUFFLER	49	2	05357	WASHER, CURVED, .380 X .625 X .015
3	1	107000-11	MUFFLER GUARD	50	6	05002	NUT, GRIPCO, 5/16-18 NC G5 ZINC
4	1	102016	PUMP ADAPTER	51	2	05437	HH CAP SCREW, 1/4-28 NF X 1-1/2 G5 ZINC
5	1	104507	PUMP SNP2-8.5-HSTAT	52	7	105051	WHIZ-LOCK 1/4 - 20 X 1/2
6	1	104504	TANDEM ADAPT KIT	53	4	05081	WASHER, 1/4 SAE ZINC
7	1	12730-ST	HYDRO PUMP, 10CC TANDEM	54	2	05225	CLAMP, 1" ID HOSE, CTB-35 ST
8	2	13660	HSTAT ACTUATOR,	55	1	13665 R1	SUMP HOSE, B&H 16
9	1	13661	SPEED LINK, LH	56	1	13690-16	DECAL, 16 STK
10	1	13662	SPEED LINK, RH, STK				
11	2	13721	SPEED LINK, FOR E16STK				
12	1	13679	PUMP SUPPORT, BOTTOM				
13	1	13680	PUMP SUPPORT, TOP				
14	1	13634	ENGINE MOUNT PLATE, B&S 16hp				
15	1	13727	COVER MOUNT				
16	1	13728	PUMP COVER				
17	1	13729	COVER BRACE				
18	1	13739	TAPPED BAR				
19	1	13698	HOSE: REAR LH TO LH MOTOR "B"				
20	1	13699	HOSE: RH REAR TO LH MOTOR "A"				
21	1	13700	HOSE: FRONT RH / RH MOTOR "A"				
22	1	13701	HOSE: FRONT LH TO RH MOTOR "B"				
23	1	103021	JAW COUPLER, PUMP, 5/8" BORE				
24	1	103022	SPIDER, RUBBER				
25	1	103023	JAW COUPLER, 1" BORE L095				
26	1	105014	KEY, 1/4 X 1/4 X 3/4				
27	4	11113	CUSHION				
28	2	11114	CUSHION SPACER				
29	2	11115	PUMP CUSHION WASHER				
30	1	104554	FITTING, 6801-8-8				
31	4	104226	FITTING, 6400-6-8				
32	1	12047	FITTING, 6410-6-6				
33	2	11070	FITTING, 4601-8-6				
34	1	104530	FITTING, 4601-16-12				
35	1	13676	ENGINE DRAIN HOSE				
36	1	10863	HYD ADAPTER 2404-6-6				
37	1	104539	FITTING, 2408-6				
38	6	05091	HH CAP SCREW, 3/8-16 NC X 1-1/4 G5 ZINC				
39	2	05377	HHFS 3/8-16 X 1, G5, ZN				
40	4	05187	HHFS 3/8-16 X 3/4, G5, ZN				
41	6	05101	WASHER, 3/8 SAE ZINC				
42	4	05054	HH CAP SCREW, 5/16-18 NC X 1-3/4 G5 ZINC				
43	2	05144	WHIZ-LOCK 5/16 - 18 X 1				
44	6	05140	WHIZ-LOCK 5/16 - 18 X 3/4				
45	2	05169	WHIZ-LOCK 5/16 - 18 X 1/2				
46	2	05351	SHSB, 3/8S X 1/4SL X 5/16 NC, BK OX				
47	6	05068	WASHER, 5/16 SAE ZINC				

RELEASE DATE	2/14/17
REVISED DATE	4/12/17
REVISION #	2

ORIENTATIONS GIVEN ARE AS THE COMPONENTS SIT ON THE MACHINE VIEWED FROM THE OPERATOR'S POSITION

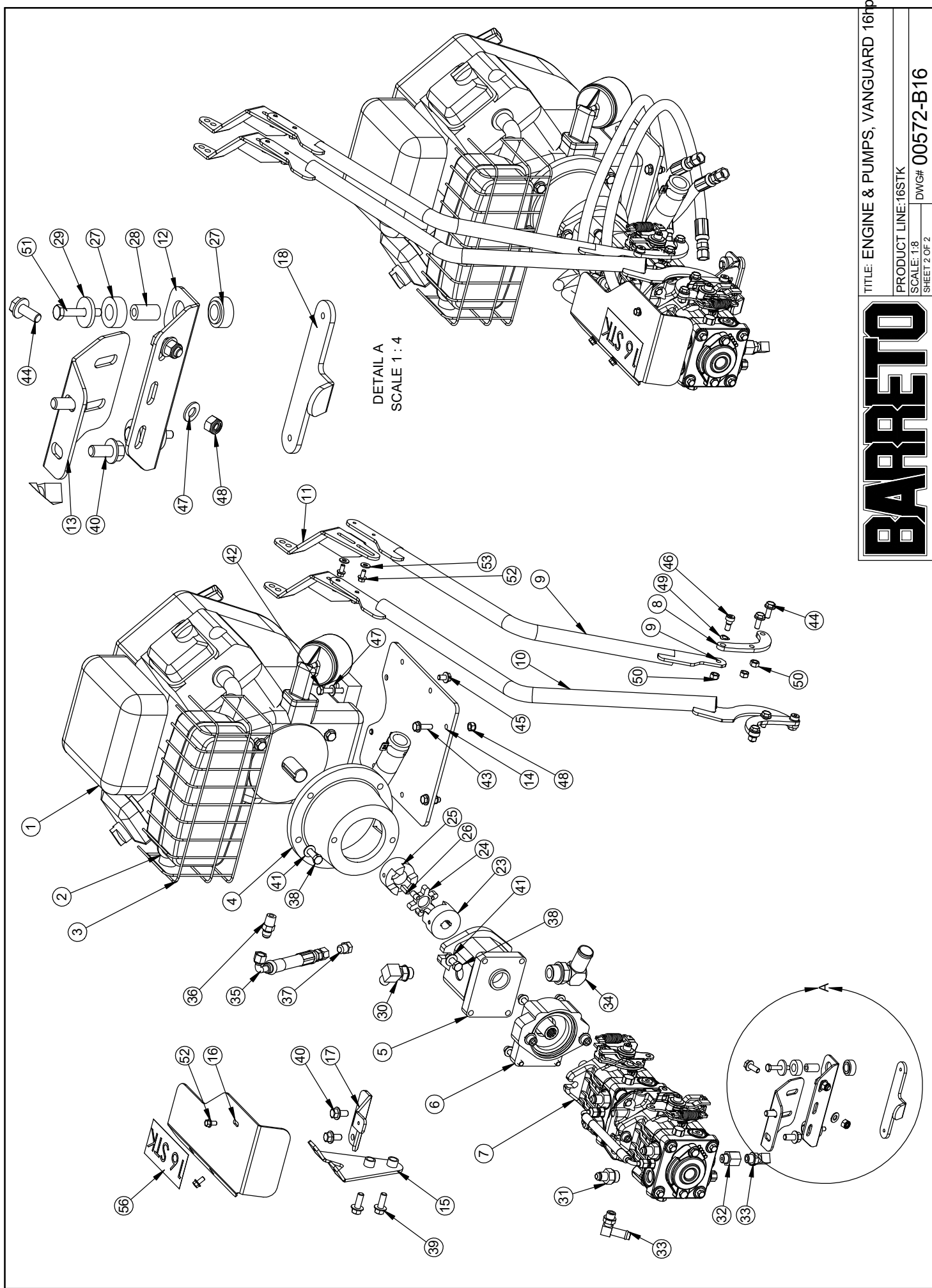
NOTICE: A 1/16" GAP IS REQUIRED BETWEEN COUPLERS (03021 & 03023)

PUMP COVER & MOUNTS & SPEED LINKS HIDDEN FOR CLARITY

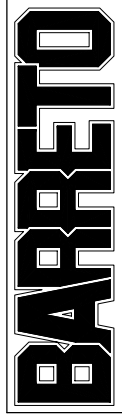


BARRETO

TITLE:	ENGINE & PUMPS, VANGUARD 16hp
PRODUCT LINE:	16STK
SCALE:	1:6
SHEET 1 OF 2	DWG# 00572-B16



TITLE: ENGINE & PUMPS, VANGUARD 16hp
 PRODUCT LINE: 16STK
 SCALE: 1:8
 SHEET 2 OF 2
 DWG# 00572-B16



RELEASE DATE	2/14/17
REVISED DATE	4/12/17
REVISION #	2

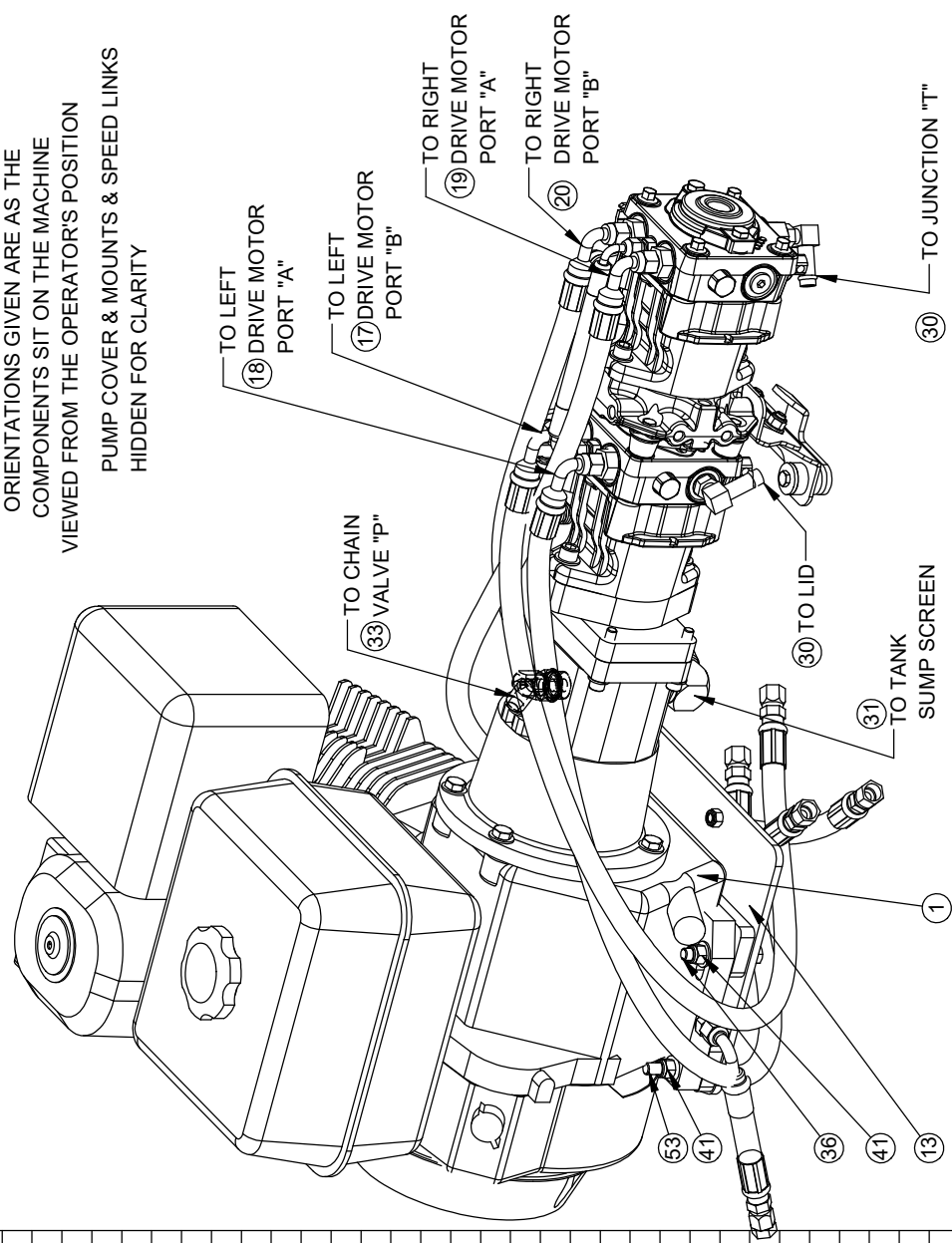
ITEM NO.	QTY.	PART NO.	DESCRIPTION
48	2	05088	HH CAP SCREW, 1/4-20 NC X 1-1/2 G5 ZINC
49	7	05051	WHIZ-LOCK 1/4 - 20 X 1/2
50	4	05081	WASHER, 1/4 SAE ZINC
51	1	13665H R1	SUMP HOSE, H-13
52	2	05225	CLAMP, 1" ID HOSE, CTB-35 ST
53	1	05439	HH CAP SCREW, 3/8-16 NC X 2-3/4 G5 ZINC
54	1	13690-13	DECAL, 13STK

13 STK

NOTICE: A 1/16" GAP IS REQUIRED BETWEEN COUPLERS (03021 & 03023)

ORIENTATIONS GIVEN AS THE COMPONENTS SIT ON THE MACHINE VIEWED FROM THE OPERATOR'S POSITION

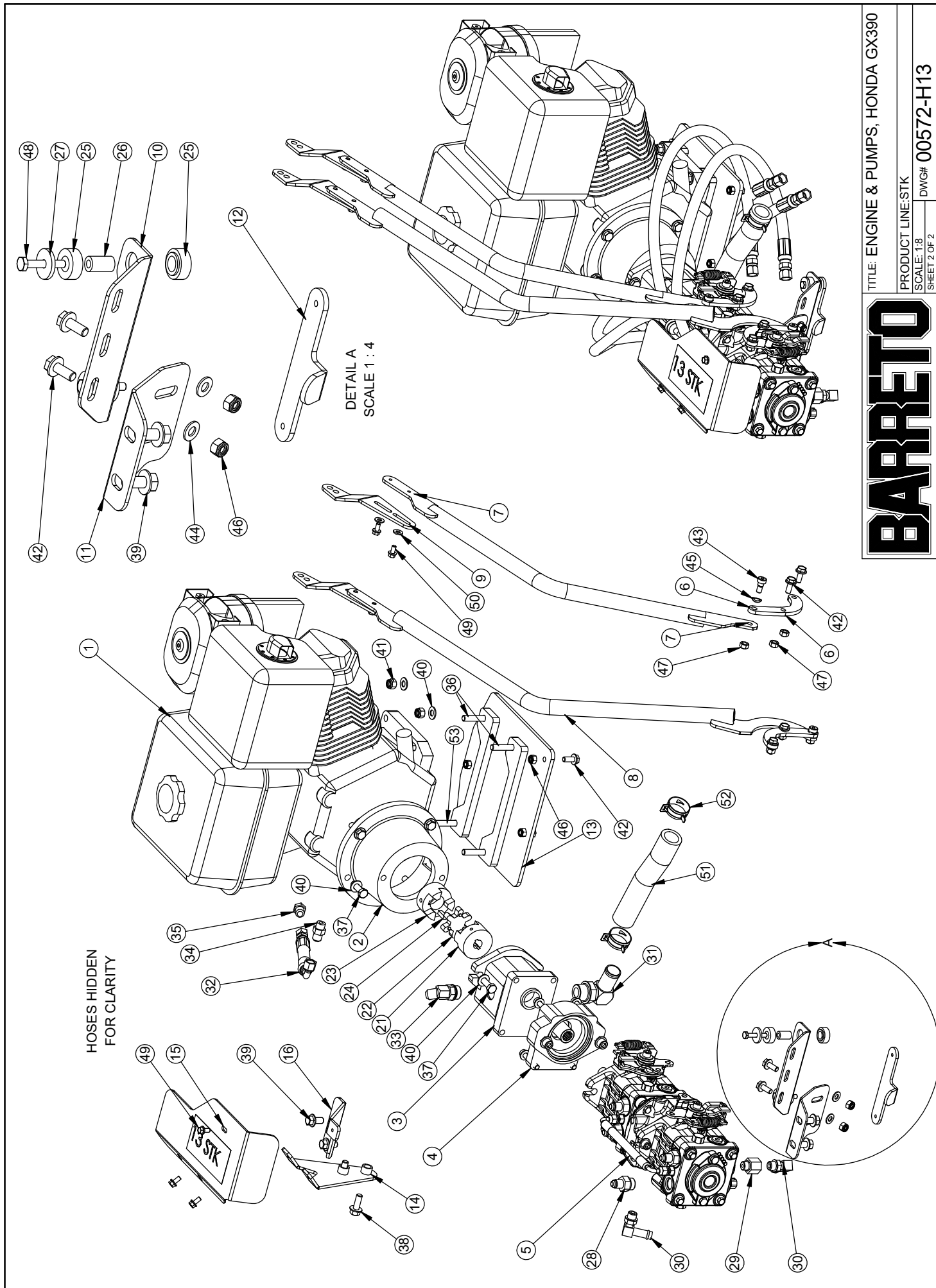
PUMP COVER & MOUNTS & SPEED LINKS HIDDEN FOR CLARITY



ITEM NO.	QTY.	PART NO.	DESCRIPTION
1	1	07005-E18	ENGINE, 13 HP HONDA GX390
2	1	02016	PUMP ADAPTER
3	1	04507	PUMP SNP2-8.5-HSTAT
4	1	04504	TANDEM ADAPT KIT
5	1	12730-STK	HYDRO PUMP, 10CC TANDEM
6	2	13660	HSTAT ACTUATOR,
7	1	13661	SPEED LINK, LH
8	1	13662	SPEED LINK, RH, STK
9	2	12886	SPEED LINK, TOP (LH RTN)
10	1	13679	PUMP SUPPORT, BOTTOM
11	1	13680	PUMP SUPPORT, TOP
12	1	13739	TAPPED BAR
13	1	13634-H	ENGINE MOUNT, H13
14	1	13727	COVER MOUNT
15	1	13728	PUMP COVER
16	1	13729	COVER BRACE
17	1	13698	HOSE: REAR LH / LH MOTOR "B"
18	1	13699	HOSE: REAR RH / LH MOTOR "A"
19	1	13700	HOSE: FRONT RH / RH MOTOR "A"
20	1	13701	HOSE: FRONT LH / RH MOTOR "B"
21	1	03021	JAW COUPLER, PUMP, 5/8" BORE
22	1	03022	SPIDER, RUBBER
23	1	03023	JAW COUPLER, 1" BORE L095
24	1	05014	KEY, 1/4 X 1/4 X 3/4
25	4	11113	CUSHION
26	2	11114	CUSHION SPACER
27	2	11115	PUMP CUSHION WASHER
28	4	04226	FITTING, 6400-6-8
29	1	12047	FITTING, 6410-6-6
30	2	11070	FITTING, 4601-8-6
31	1	04530	FITTING, 4601-16-12
32	1	13676	ENGINE DRAIN HOSE
33	1	04557	FITTING, 6802-8-10
34	1	04536	FITTING, 9067-6-12METRIC
35	1	04539	FITTING, 2408-6
36	3	05249	HH CAP SCREW, 3/8-16 NC X 2-1/2 G5 ZINC
37	6	05091	HH CAP SCREW, 3/8-16 NC X 1-1/4 G5 ZINC
38	2	05377	HHFS 3/8-16 X 1, G5, ZN
39	4	05187	HHFS 3/8-16 X 3/4, G5, ZN
40	11	05101	WASHER, 3/8 SAE ZINC
41	4	05073	NUT, NYLOCK, 3/8-16 NC ZINC
42	9	05140	WHIZ-LOCK 5/16 - 18 X 3/4
43	2	05351	SHSB, 3/8S X 1/4SL X 5/16 NC, BK OX
44	2	05068	WASHER, 5/16 SAE ZINC
45	2	05357	WASHER, CURVED, .380 X .625 X .015
46	5	05273	NUT, NYLOCK, 5/16-18 NC ZINC
47	6	05002	NUT, GRIPCO, 5/16-18 NC G5 ZINC

BARRETO

TITLE:	ENGINE & PUMPS, HONDA GX390
PRODUCT LINE:STK	
SCALE:1:6	
SHEET 1 OF 2	DWG# 00572-H13



HOSES HIDDEN FOR CLARITY

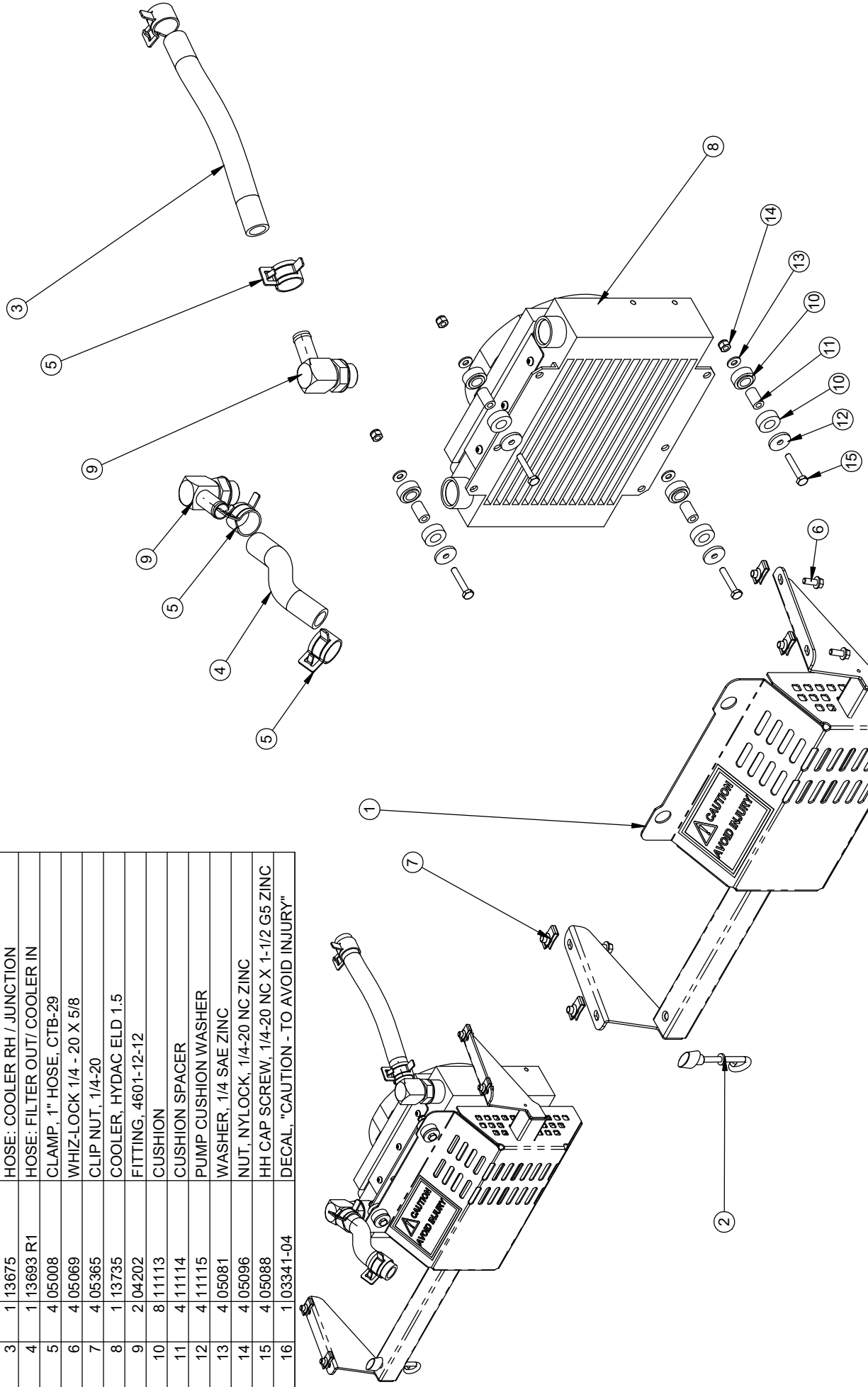
DETAIL A
SCALE 1 : 4

TITLE: ENGINE & PUMPS, HONDA GX390
 PRODUCT LINE:STK
 SCALE:1:8
 SHEET 2 OF 2
 DWG# 00572-H13

BARRETO

RELEASE DATE	1-2-2017
REVISED DATE	NEW
REVISION #	0

ITEM NO.	QTY.	PART NO.	DESCRIPTION
1	1	13638 HY	OIL COOLER MOUNT
2	1	06423	STARTER GROMMET
3	1	13675	HOSE: COOLER RH / JUNCTION
4	1	13693 R1	HOSE: FILTER OUT/ COOLER IN
5	4	05008	CLAMP, 1" HOSE, CTB-29
6	4	05069	WHIZ-LOCK 1/4 - 20 X 5/8
7	4	05365	CLIP NUT, 1/4-20
8	1	13735	COOLER, HYDAC ELD 1.5
9	2	04202	FITTING, 4601-12-12
10	8	11113	CUSHION
11	4	11114	CUSHION SPACER
12	4	11115	PUMP CUSHION WASHER
13	4	05081	WASHER, 1/4 SAE ZINC
14	4	05096	NUT, NYLOCK, 1/4-20 NC ZINC
15	4	05088	HH CAP SCREW, 1/4-20 NC X 1-1/2 G5 ZINC
16	1	03341-04	DECAL, "CAUTION - TO AVOID INJURY"



BARRETO

TITLE: COOLER ASSEMBLY, HYDAC

PRODUCT LINE:STK

SCALE:1:6

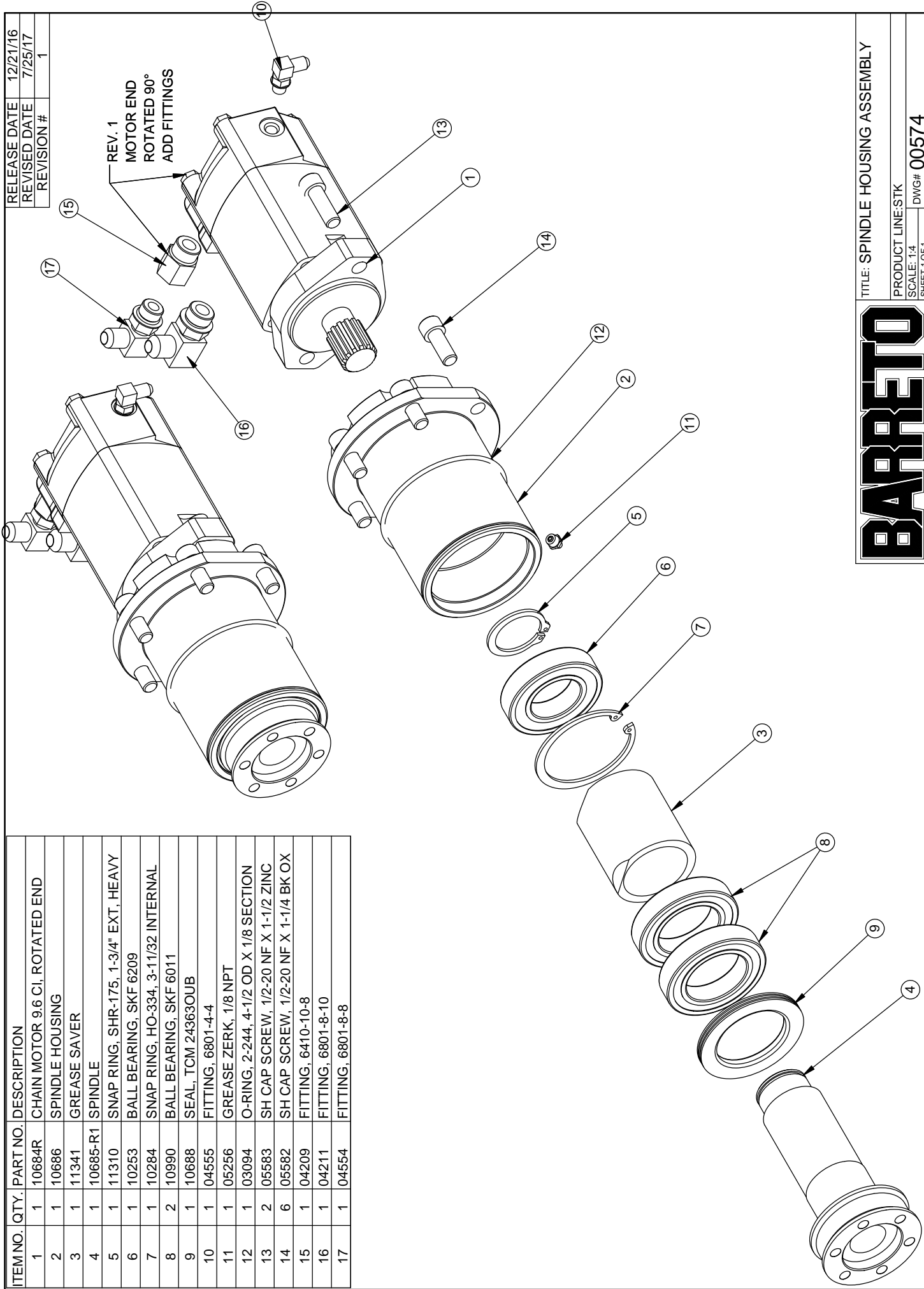
DWG# 00573-HYD

SHEET 1 OF 1

ITEM NO.	QTY.	PART NO.	DESCRIPTION
1	1	10684R	CHAIN MOTOR 9.6 CI, ROTATED END
2	1	10686	SPINDLE HOUSING
3	1	11341	GREASE SAVER
4	1	10685-R1	SPINDLE
5	1	11310	SNAP RING, SHR-175, 1-3/4" EXT, HEAVY
6	1	10253	BALL BEARING, SKF 6209
7	1	10284	SNAP RING, HO-334, 3-11/32 INTERNAL
8	2	10990	BALL BEARING, SKF 6011
9	1	10688	SEAL, TCM 243630UB
10	1	04555	FITTING, 6801-4-4
11	1	05256	GREASE ZERK, 1/8 NPT
12	1	03094	O-RING, 2-244, 4-1/2 OD X 1/8 SECTION
13	2	05583	SH CAP SCREW, 1/2-20 NF X 1-1/2 ZINC
14	6	05582	SH CAP SCREW, 1/2-20 NF X 1-1/4 BK OX
15	1	04209	FITTING, 6410-10-8
16	1	04211	FITTING, 6801-8-10
17	1	04554	FITTING, 6801-8-8

RELEASE DATE	12/21/16
REVISED DATE	7/25/17
REVISION #	1

REV. 1
MOTOR END
ROTATED 90°
ADD FITTINGS



BARRETO

TITLE: SPINDLE HOUSING ASSEMBLY
 PRODUCT LINE: STK
 SCALE: 1:4
 SHEET 1 OF 1
 DWG# 00574

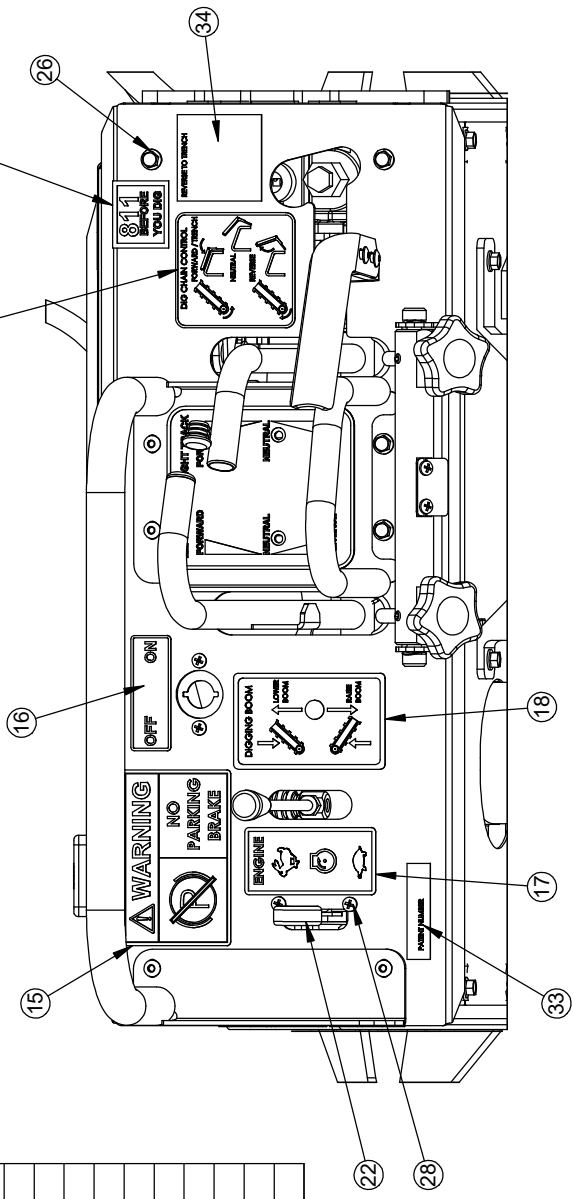
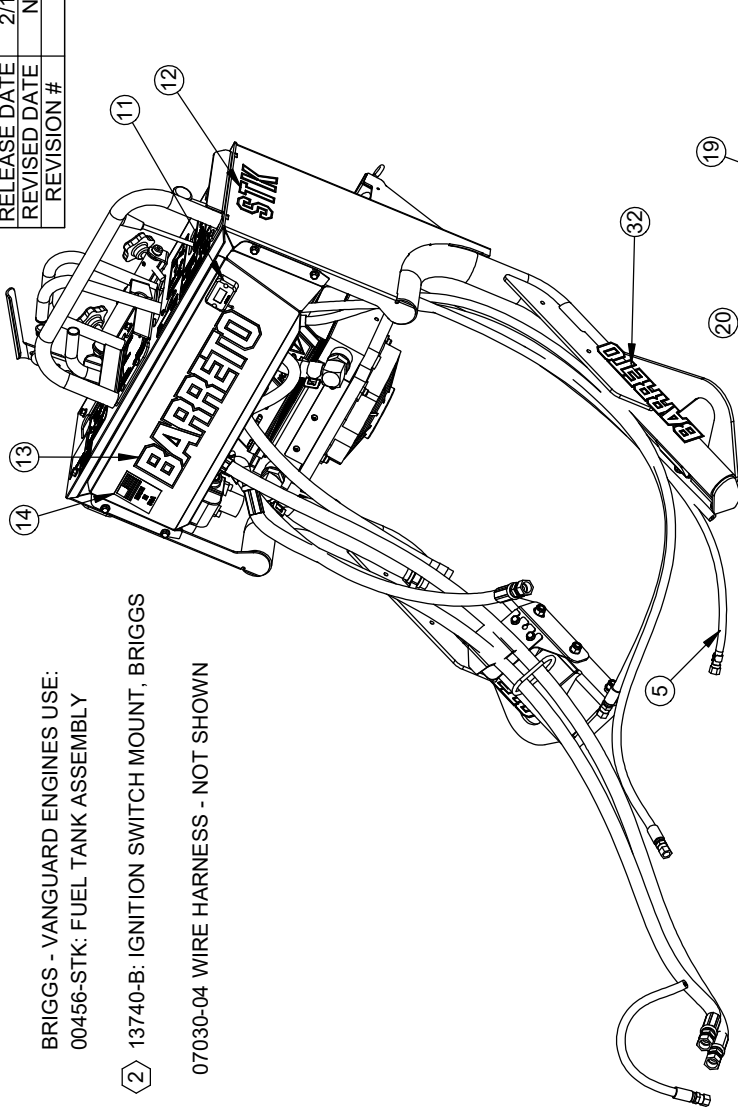
ITEM NO.	QTY.	PART NO.	DESCRIPTION
1	1	00575	SPEED CONTROL ASSEMBLY
2	1	00322-STK	CONTROL VALVE ASSEMBLY, STK
3	1	00582	LIFT VALVE & FILTER
4	1	00573-HYD	COOLER ASSEMBLY, HYDAC
5	1	13697	HOSE, BREATHER: LID - OPEN
6	1	13631	CONTROL TOWER
7	1	13740-H	IGNITION SWITCH MOUNT 2
8	1	13687	FRONT COVER
9	1	13688	CONTROL COVER PLATE
10	1	13689	BACK COVER
11	1	03009-R1	HOUR METER, WITH FLASH ALERT
12	2	13690-1	DECAL: "STK"
13	1	03040-02	DECAL, "BARRETO", 3-1/2 X 11-1/4
14	1	03040-01	DECAL, "MADE IN USA"
15	1	13690-2	DECAL: " ! WARNING NO PARKING BRAKE"
16	1	03341-07	DECAL, "IGNITION OFF/ON"
17	1	04440-05	DECAL, "THROTTLE CONTROL"
18	1	04454	DIGGING BOOM UP/DOWN
19	1	03345	DECAL, "CALL 811 BEFORE YOU DIG"
20	1	04453	DECAL, "DIG CHAIN CONTROL"
21	1	12090	INSTRUCTION CANISTER
22	1	03515	THROTTLE CABLE
23	6	05377	HFHS 3/8-16 X 1, G5, ZN
24	6	05068	WASHER, 5/16 SAE ZINC
25	6	05073	NUT, NYLOCK, 3/8-16 NC ZINC
26	12	05069	WHIZ-LOCK 1/4 - 20 X 5/8
27	10	05365	CLIP NUT, 1/4-20
28	4	05233	SCREW #10-24 X 1/2 PPH
29	1	13635	HOSE YOKE BASE
30	1	13636	HOSE YOKE
31	2	05051	WHIZ-LOCK 1/4 - 20 X 1/2
32	2	03040-11	DECAL, "BARRETO", 2-3/16 X 7-3/8
33	1	PATENT	
34	1	04445-06	DECAL, REVERSE TO TRENCH

RELEASE DATE	2/10/17
REVISED DATE	NEW
REVISION #	0

BRIGGS - VANGUARD ENGINES USE:
00456-STK: FUEL TANK ASSEMBLY

2 13740-B: IGNITION SWITCH MOUNT, BRIGGS

07030-04 WIRE HARNESS - NOT SHOWN



BARRETO

TITLE: CONTROL TOWER ASSY, 13STKH
 PRODUCT LINE: 13STKH ONLY
 SCALE: 1:12
 SHEET 1 OF 2
 DWG# 00576

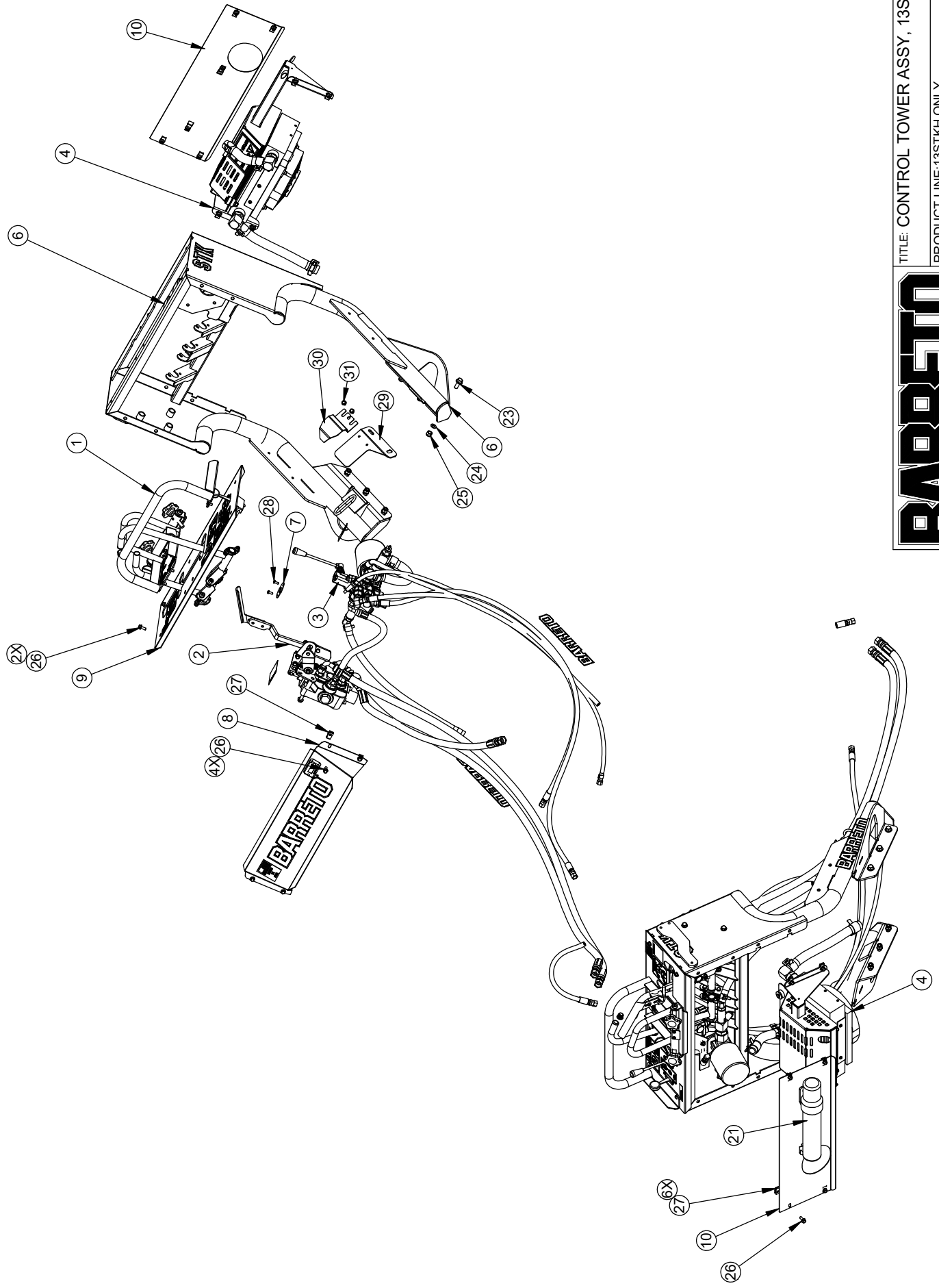
TITLE: CONTROL TOWER ASSY, 13STKH

PRODUCT LINE: 13STKH ONLY

SCALE: 1:16

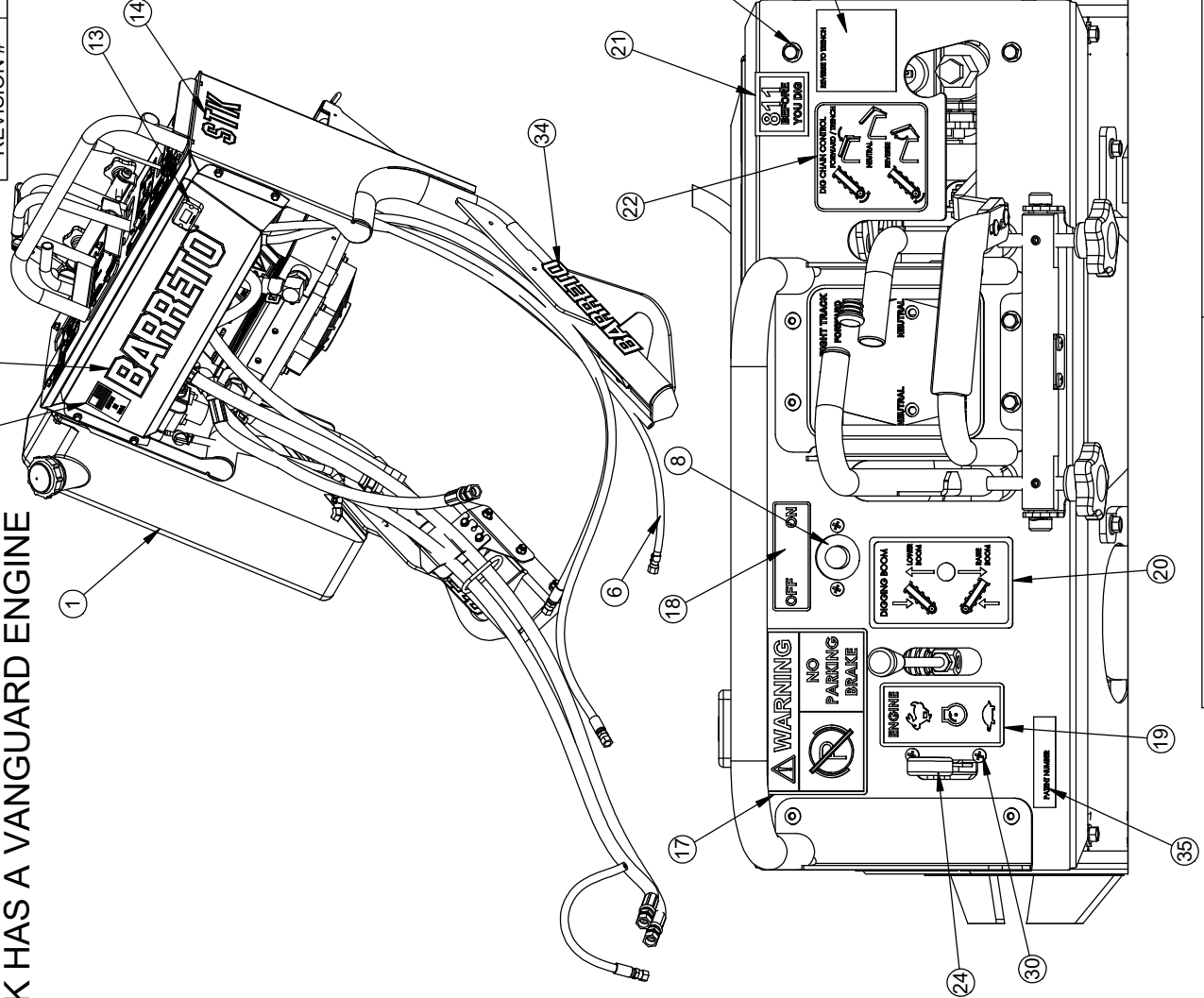
DWG# 00576

BARRETO



RELEASE DATE	1/12/16
REVISED DATE	NEW
REVISION #	0

USE THIS DRAWING IF THE
STK HAS A VANGUARD ENGINE



ITEM NO.	QTY.	PART NO.	DESCRIPTION
1	1	00456-STK	FUEL TANK ASSEMBLY
2	1	00575	SPEED CONTROL ASSEMBLY
3	1	00322-STK	RCONTROL VALVE ASSEMBLY, STK
4	1	00582	LIFT VALVE & FILTER
5	1	00573-HYD	COOLER ASSEMBLY, HYDAC
6	1	13697	HOSE, BREATHER: LID - OPEN
7	1	13631	CONTROL TOWER
8	1	13740-B	IGNITION SWITCH MOUNT, B&S
9	1	107001-8	KEY SWITCH, E-START BGRIGGS
10	1	13687	FRONT COVER
11	1	13688	CONTROL COVER PLATE
12	1	13689	BACK COVER
13	1	03009-R1	HOUR METER, WITH FLASH ALERT
14	1	13690-1	DECAL: "STK"
15	1	03040-02	DECAL: "BARRETO", 3-1/2 X 11-1/4
16	1	03040-01	DECAL: "MADE IN USA"
17	1	13690-2	DECAL: "WARNING NO PARKING BRAKE"
18	1	03341-07	DECAL: "IGNITION OFF/ON"
19	1	04440-05	DECAL: "THROTTLE CONTROL"
20	1	04454	DIGGING BOOM UP/DOWN
21	1	03345	DECAL: "CALL 811 BEFORE YOU DIG"
22	1	04453	DECAL: "DIG CHAIN CONTROL"
23	1	12090	INSTRUCTION CANISTER
24	1	03515	THROTTLE CABLE
25	6	05377	HHFS 3/8-16 X 1, G5, ZN
26	6	05068	WASHER, 5/16 SAE ZINC
27	6	05273	NUT, NYLOCK, 5/16-18 NC ZINC
28	12	05069	WHIZ-LOCK 1/4 - 20 X 5/8
29	10	05365	CLIP NUT, 1/4-20
30	4	05233	SCREW #10-24 X 1/2 PPH
31	1	13635	HOSE YOKE BASE
32	1	13636	HOSE YOKE
33	2	05051	WHIZ-LOCK 1/4 - 20 X 1/2
34	2	03040-11	DECAL: "BARRETO", 2-3/16 X 7-3/8
35	1	PATENT	
36	1	04445-06	DECAL, REVERSE TO TRENCH
37	1	13111-FIX-1	OUTER SLEEVE

BARRETO

TITLE: CONTROL TOWER ASSEMBLY,
STK-B
PRODUCT LINE: 16 STK-B
SCALE: 1:12
SHEET 1 OF 2
DWG# 00576-B

TITLE: CONTROL TOWER, STK-B

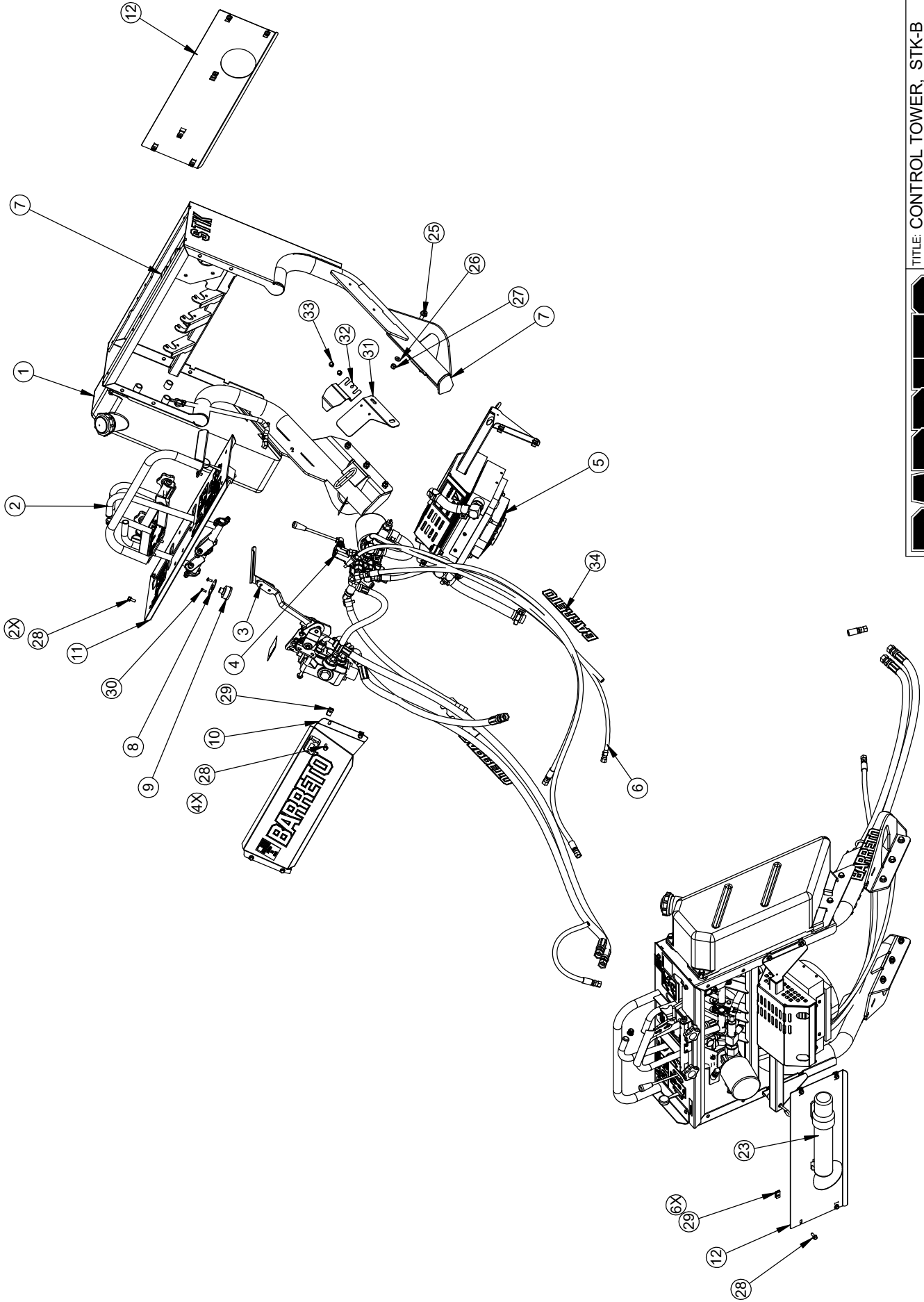
PRODUCT LINE: STK-B

SCALE: 1:16

SHEET 2 OF 2

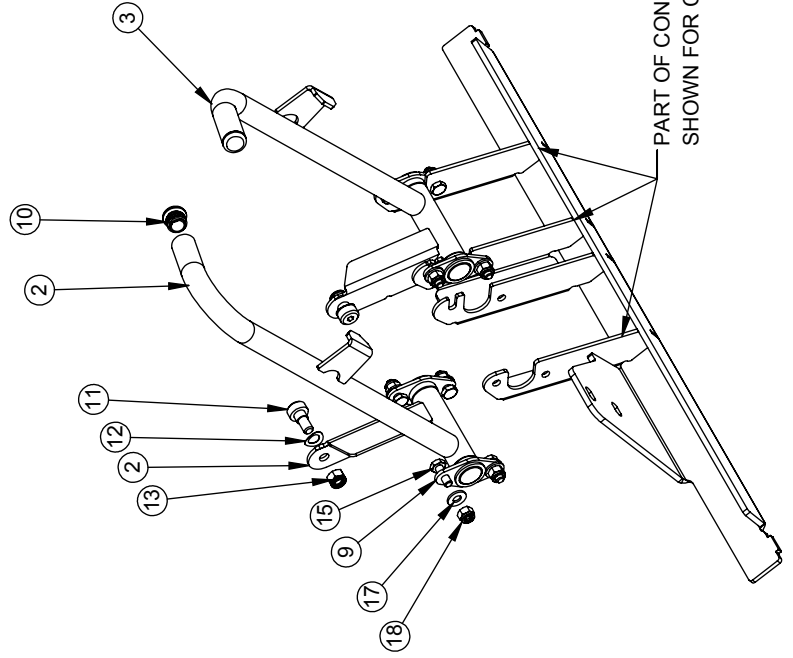
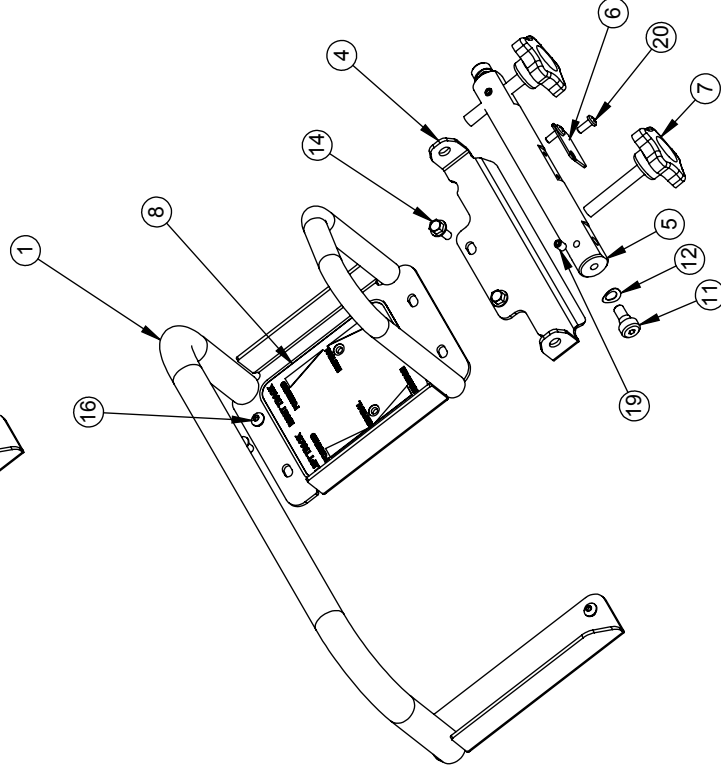
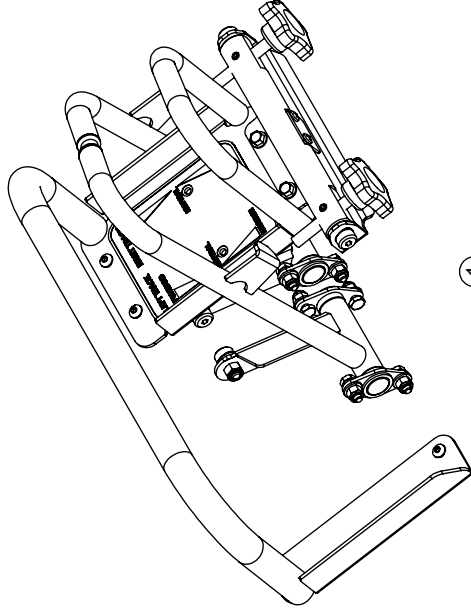
DWG# 00576-B

BARRETO



ITEM NO.	QTY.	PART NO.	DESCRIPTION
1	1	13632	HAND REST
2	1	13663	SPEED LEVER, LEFT
3	1	13664	SPEED LEVER, RIGHT
4	1	12818 R1	STOP BRACKET, BOTTOM
5	1	12820 R1	STOP TRUNION
6	1	12913	STOP PLATE
7	2	12833	5 SA, LRG STAR KNOB
8	1	104451-TK	L - R TRACK DECAL
9	4	12381	IGUS FLANGE JFL-20
10	2	12152	HANDLE END CAP
11	4	05351	SH SHOULDER SCREW, 3/8 X 1/4 X 5/16-18
12	4	05357	WASHER, CURVED, .380 X .625 X .015
13	2	05273	NUT, NYLOCK, 5/16-18 NC ZINC
14	2	05069	WHIZ-LOCK 1/4 - 20 X 5/8
15	8	05554	HH CAP SCREW, 1/4-20 NC X 3/4 G5 ZINC
16	4	05507	BUTTON HD SOCKET CAP SCR, 1/4-20 X 1/2
17	8	05081	WASHER, 1/4 SAE ZINC
18	8	05096	NUT, NYLOCK, 1/4-20 NC ZINC
19	2	12866	SET SCREW, 1/4-28 X .375, NYLON TIP
20	2	05233	SCREW #10-24 X 1/2 PPH

RELEASE DATE	1/6/17
REVISED DATE	NEW
REVISION #	0



BARRETO

TITLE: SPEED CONTROL ASSEMBLY

PRODUCT LINE:STK

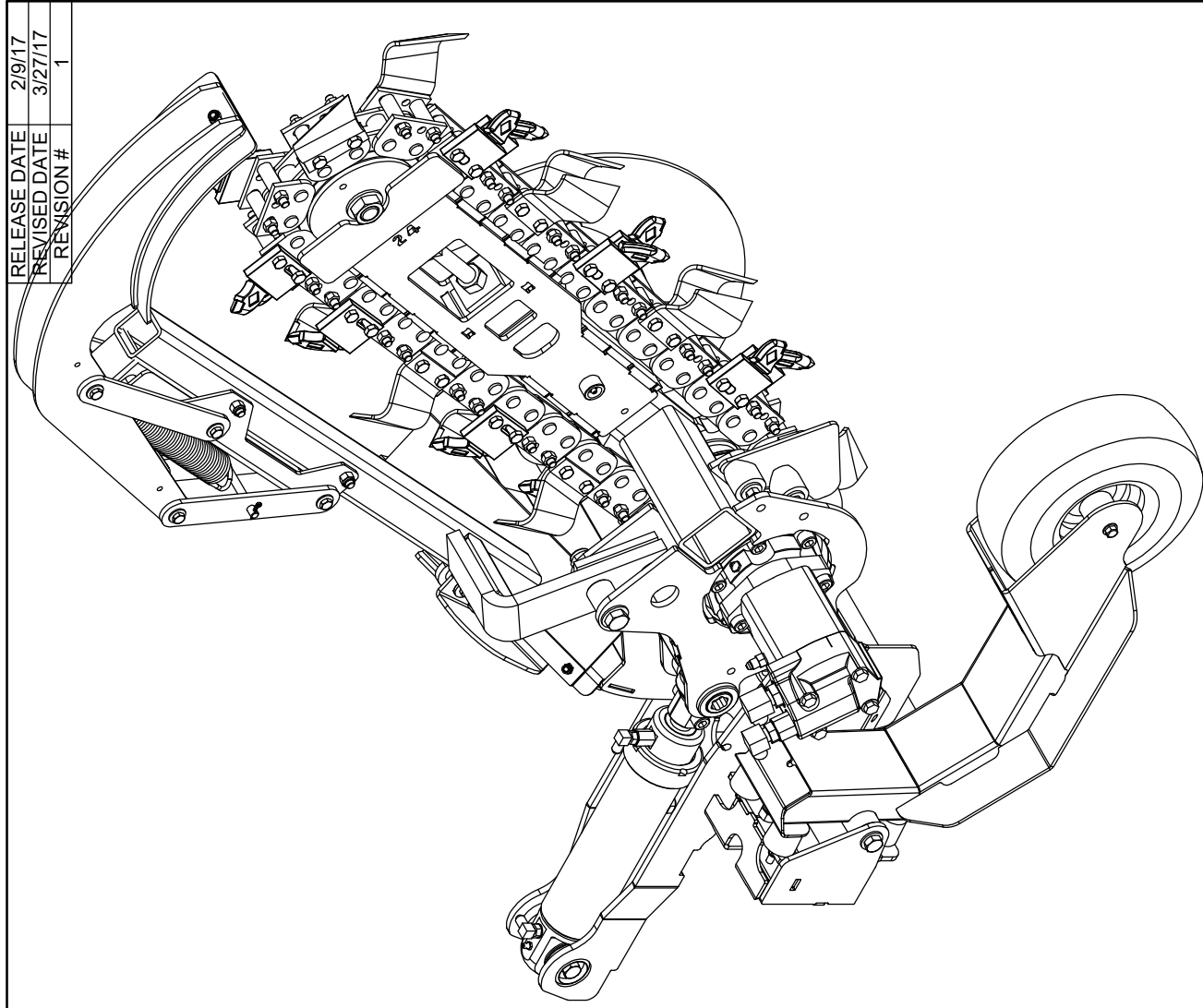
SCALE: 1:6

SHEET 1 OF 1

DWG# 00575

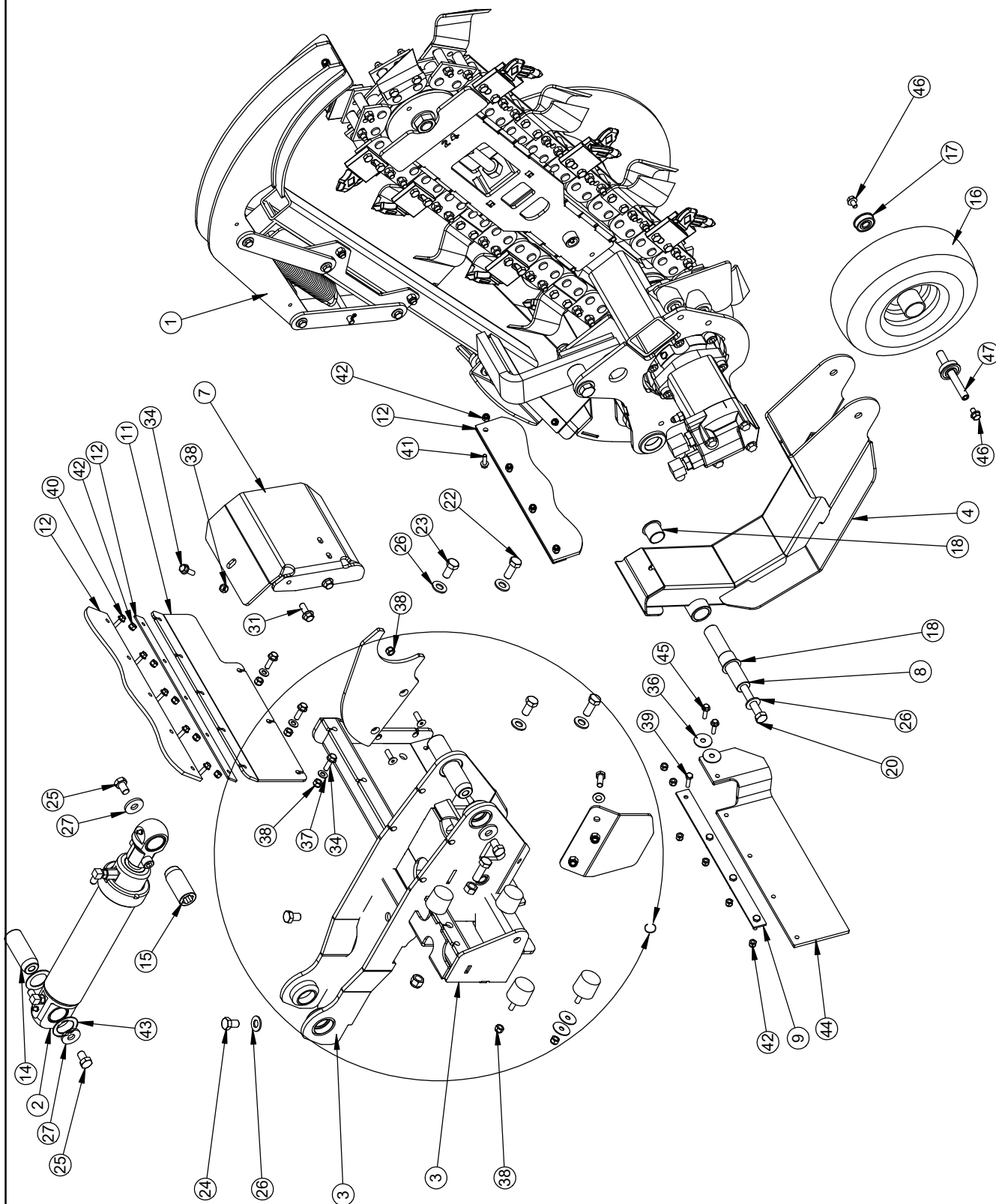
ITEM NO.	QTY.	PART NO.	DESCRIPTION
1	1	00580	BOOM ASSEMBLY
2	1	00571	BOOM CYLINDER ASSEMBLY
3	1	13625	FRONT END
4	1	13646T	WHEEL ARM
5	1	13651	DIRT DEFLECTOR
6	1	13652	DIRT GUIDE
7	1	13653	TRACK GUARD
8	1	13647	PIVOT PIN
9	2	13659	FLAP RETAINER
10	1	13658	DIRT GUARD
11	1	13720	DIRT GUARD BRACKET
12	1	13657	DIRT GUARD RETAINER
13	1	13641	SWING PIN
14	1	13737	SWING PIN
15	1	13738	SWING PIN
16	1	10347	TIRE & RIM 4.10/3.50-4
17	2	10347.50	BEARING, 1/2 BORE
18	2	03269	BUSHING, IGUS LFI-1618-16
19	4	03010	STOP PAD
20	1	05438	HH CAP SCREW, 1/2-13 NC X 7 G5 ZINC
21	1	05300-01	HH CAP SCREW, 1/2-13 NC X 1-1/2 G5 ZINC
22	2	05323	HH CAP SCREW, 1/2-13 NC X 1-1/4 G5 ZINC
23	2	05067	HH CAP SCREW, 1/2-13 NC X 1 G5 ZINC
24	2	05060	HH CAP SCREW, 1/2-13 NC X 3/4 G5 ZINC
25	3	05436	HH CAP SCREW, 1/2-20 NF X 3/4 G5 ZN
26	6	05102	WASHER, 1/2 SAE ZINC HARDENED
27	3	03333	WASHER, .53 X 1.365 X .164 ZINC
28	1	05098	NUT, NYLOCK, 1/2-13 NC ZINC
29	1	10326	NUT, 1/2-13 NC G5 ZINC
30	2	05059	HH CAP SCREW, 3/8-16 NC X 1 G5 ZINC
31	2	05377	HHFS 3/8-16 X 1, G5, ZN
32	2	05101	WASHER, 3/8 SAE ZINC
33	2	05073	NUT, NYLOCK, 3/8-16 NC ZINC
34	4	05567	HHFS 5/16-18 X 1, G5, ZN
35	2	05432	FSCS 5/16 NC X 1 ZN
36	6	05541	WASHER, 5/16 FENDER ZINC
37	3	05068	WASHER, 5/16 SAE ZINC
38	10	05273	NUT, NYLOCK, 5/16-18 NC ZINC
39	4	05237	HH CAP SCREW, 1/4-20 NC X 1 G5 ZINC
40	5	05368	WHIZ-LOCK 1/4 - 20 X 1
41	4	05535	WHIZ-LOCK 1/4 - 20 X 7/8
42	15	05096	NUT, NYLOCK, 1/4-20 NC ZINC
43	2	03334	THRUST WASHER, 1.260 X 1.875 X .075 STAINLESS ST
44	1	13656 R1	DIRT FLAP
45	2	05404	HHFS 1/4-20 X 1, G5, ZN
46	2	05520	HHFS 5/16-18 X 1/2, G5, ZN
47	1	10458-4.4	FRONT AXLE

RELEASE DATE	2/9/17
REVISED DATE	3/27/17
REVISION #	1



BARRETO

TITLE:	FRONT END ASSEMBLY
PRODUCT LINE:STK	
SCALE:1:8	
SHEET 1 OF 3	
DWG#	00577



TITLE: FRONT END ASSEMBLY

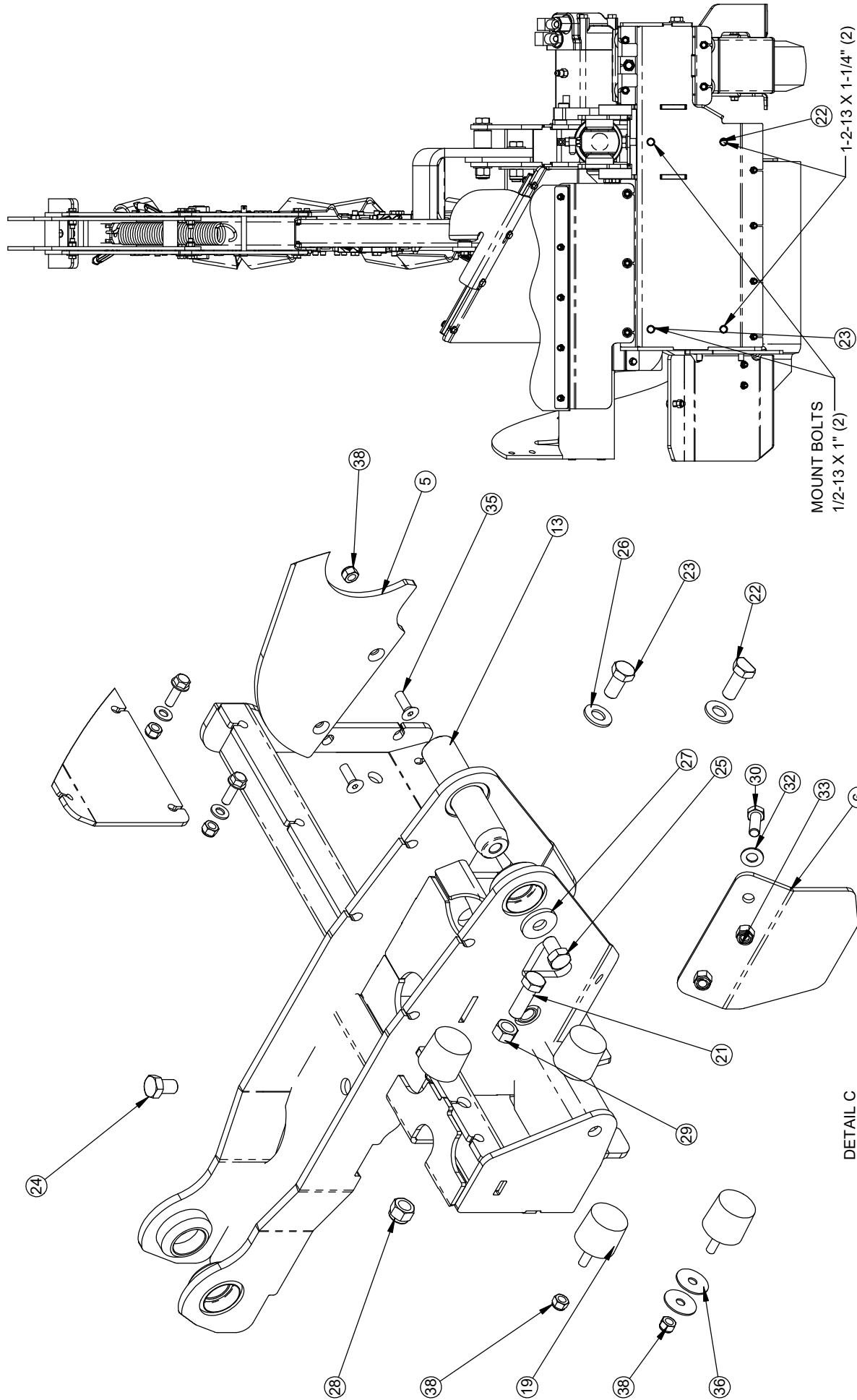
PRODUCT LINE: STK

SCALE: 1:10

SHEET 2 OF 3

DWG# 00577

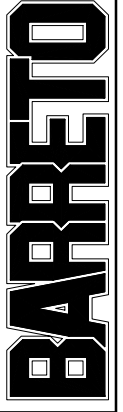
BARRETO



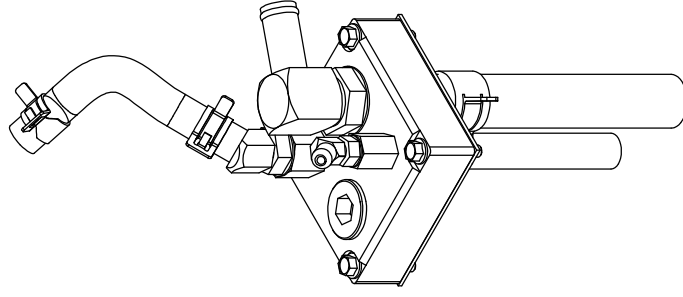
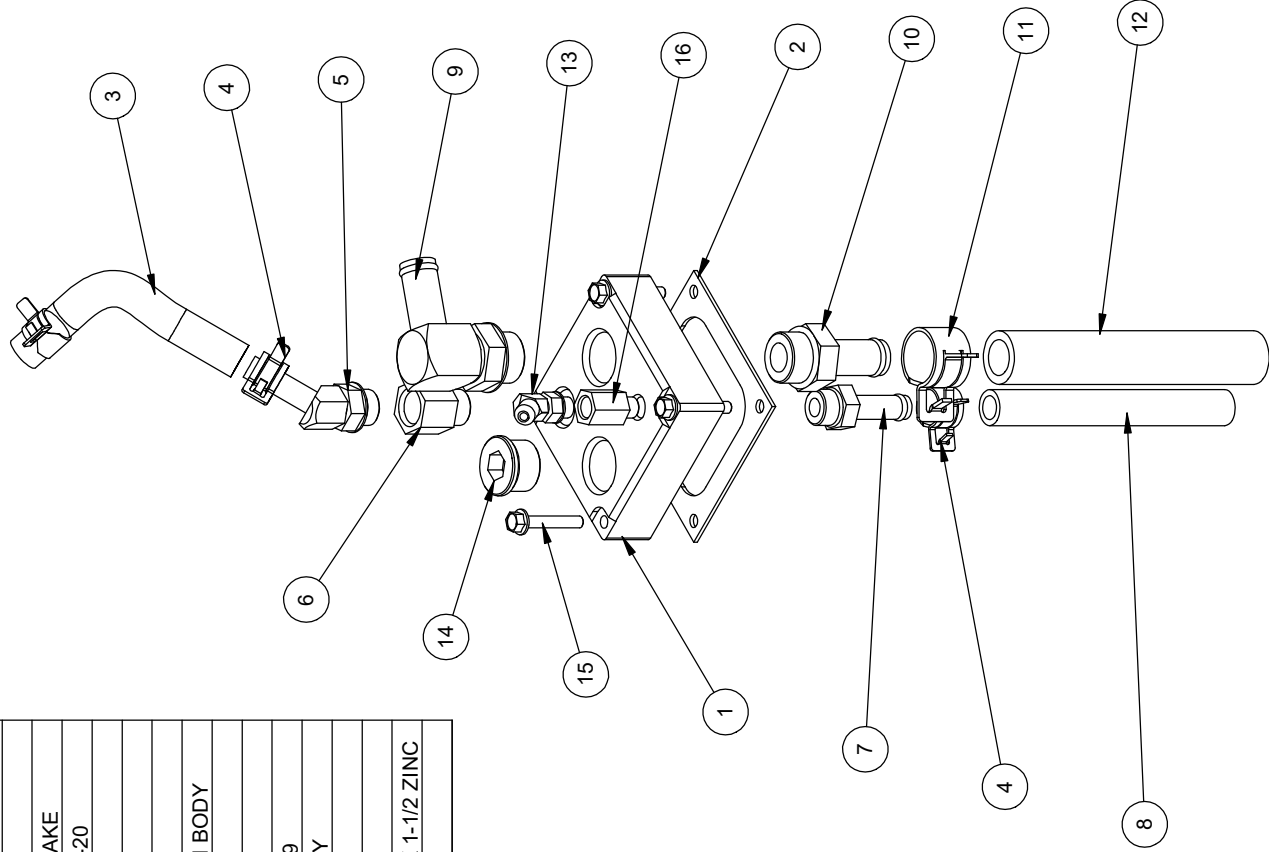
DETAIL C
SCALE 1 : 5

TOLERANCES UNLESS OTHERWISE SPECIFIED
 FRACTIONS: >=1/16 = ±1/16
 DECIMALS: .X = ±.1
 ANGLES: ±2°
 .XX = ±.03
 .XXX = ±.005
 1/32 = ±1/32
 1/64 = ±1/64

TITLE: FRONT END ASSEMBLY
 PRODUCT LINE: STK
 SCALE: 1:10
 SHEET 3 OF 3
 DWG# 00577



ITEM NO.	QTY.	PART NO.	DESCRIPTION
1	1	13667 R1	LID
2	1	13723	MANIFOLD GASKET
3	1	13671	HOSE, CHAIN PUMP INTAKE
4	3	12131	CLAMP, 1/2" HOSE, CTB-20
5	1	04216	FITTING, 4603-8-8
6	1	04611	FITTING, 6410-8-8
7	1	04574	FITTING, 4604-8-8
8	1	13708	HOSE, PUMP INTAKE, IN BODY
9	1	04202	FITTING, 4601-12-12
10	1	04219	FITTING, 4604-12-12
11	1	05008	CLAMP, 1" HOSE, CTB-29
12	1	13709	HOSE, RETURN, IN BODY
13	1	04218	FITTING, 6802-4-4
14	1	10526	FITTING, 6409-12 PLUG
15	4	10622	WHIZ LOCK, 1/4-20 NC X 1-1/2 ZINC
16	1	04220	FITTING, 6410-4-4



RELEASE DATE	2/10/17
REVISED DATE	NEW
REVISION #	0

BARRETO

TITLE: STK LID ASSEMBLY

PRODUCT LINE: STK

SCALE: 1:4

SHEET 1 OF 1

DWG# 00578 R1

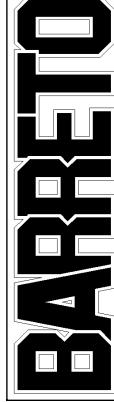
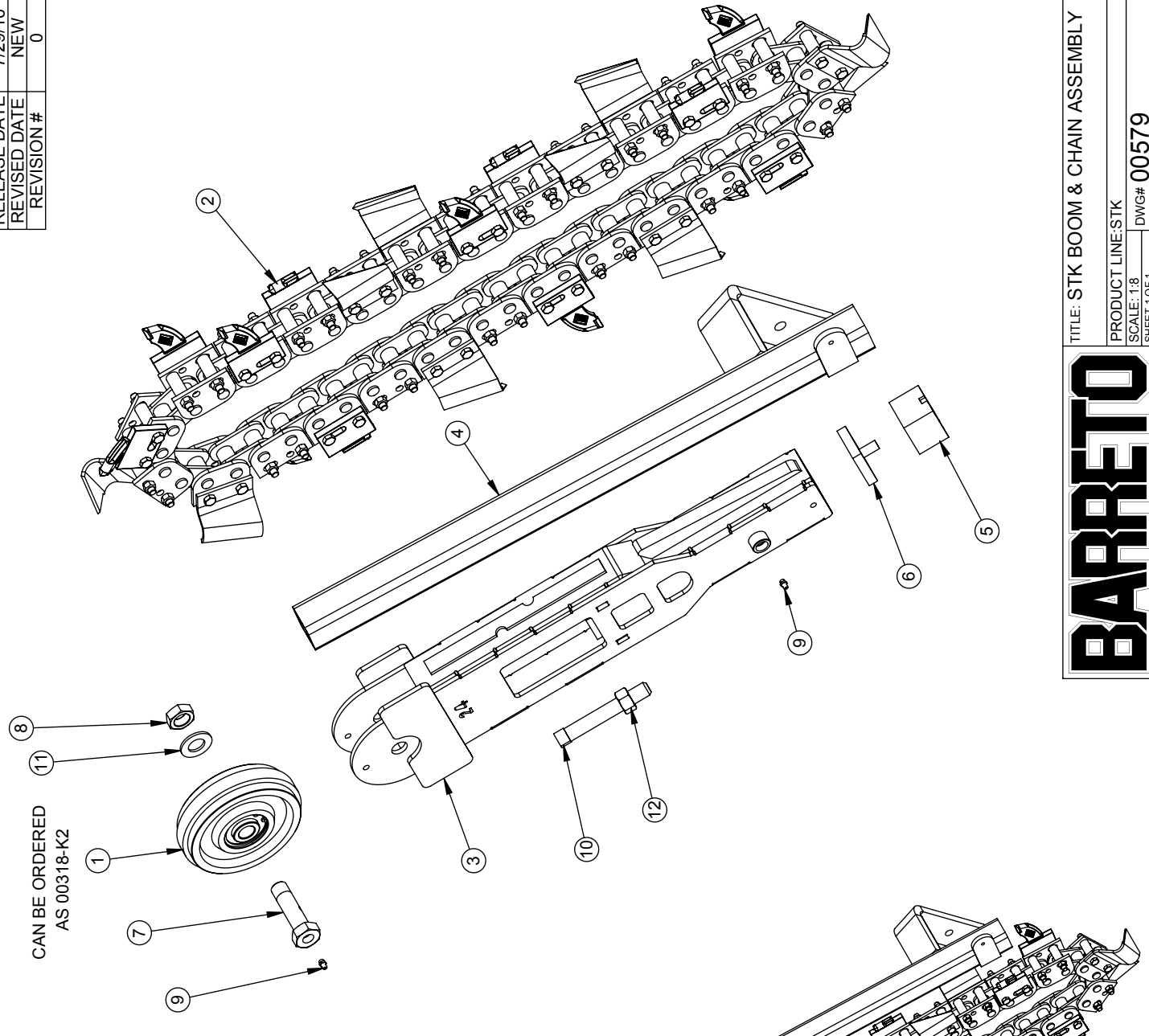
ITEM NO.	QTY.	PART NO.	DESCRIPTION
1	1	00318	CHAIN ROLLER ASSEMBLY
2	1	DIG CHAIN	CHAIN OPTIONS
3	1	01670-XX	24" BOOM, 3" MOUNT
4	1	11218-XX	BOOM GUARD OPTIONS 24", 30", 36"
5	1	11644	BOOM CUSHION, 1.88 X 2.75
6	1	11645	CUSHION PAD
7	1	10848-M	BOOM ROLLER AXLE
8	1	05597	JAM NUT, GRIPCO 7/8 - 9
9	3	05044	GREASE ZERK, 1/4-28 UNF
10	1	05230	SQ. HEAD SET SCREW, 3/4-10 X 5
11	1	05155	WASHER, 7/8 SAE ZINC
12	1	05231	NUT, 3/4-10 NC ZINC

FOR OUR MOST POPULAR CHAIN OPTIONS SEE THE LAST PAGE OF THIS MANUAL. FOR ADDITIONAL OPTIONS PLEASE CALL BARRETO MANUFACTURING AT 800-525-7348

BOOM & BOOM GUARD OPTIONS

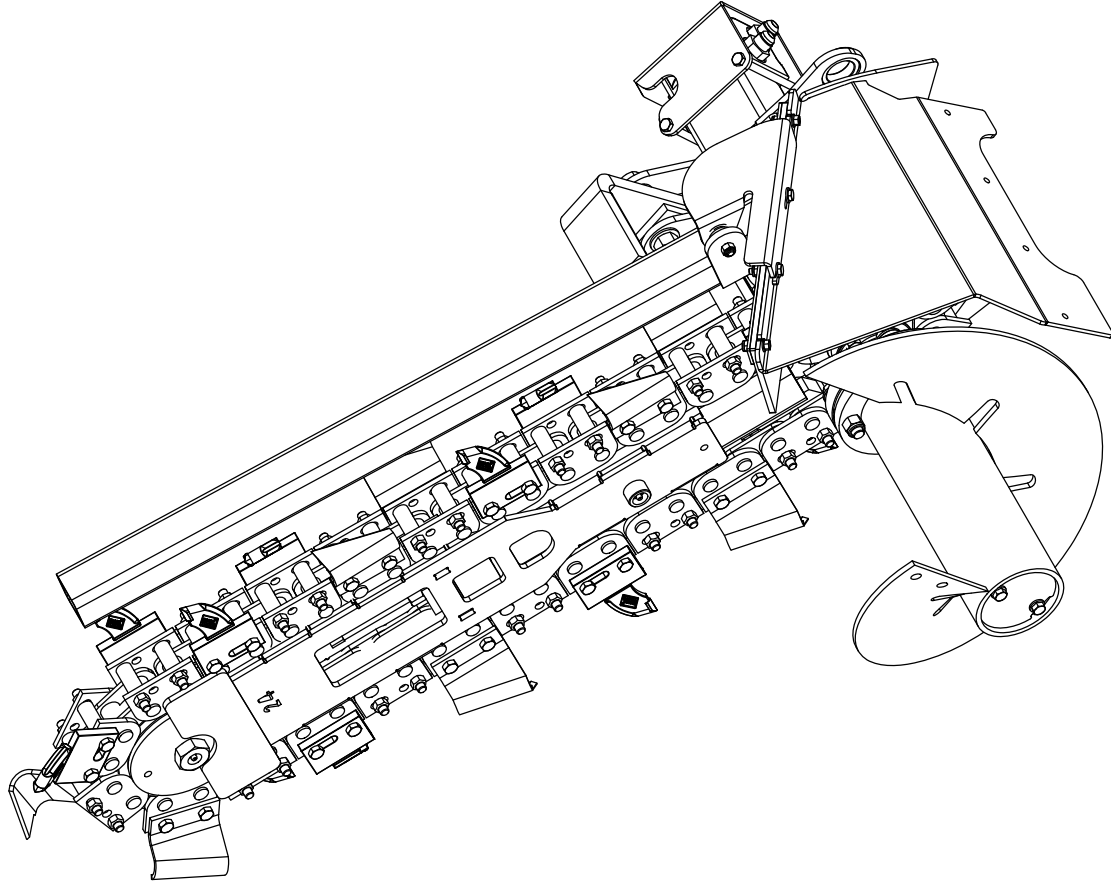
- 24 INCH DIG DEPTH
BOOM: 01670-24
BOOM GUARD: 11218-24
- 30 INCH DIG DEPTH
BOOM: 01670-30
BOOM GUARD: 11218-30
- 36 INCH DIG DEPTH
BOOM: 01670-36
BOOM GUARD: 11218-36

RELEASE DATE	7/29/16
REVISED DATE	NEW
REVISION #	0



TITLE: STK BOOM & CHAIN ASSEMBLY	
PRODUCT LINE: STK	DWG# 00579
SCALE: 1:8	SHEET 1 OF 1

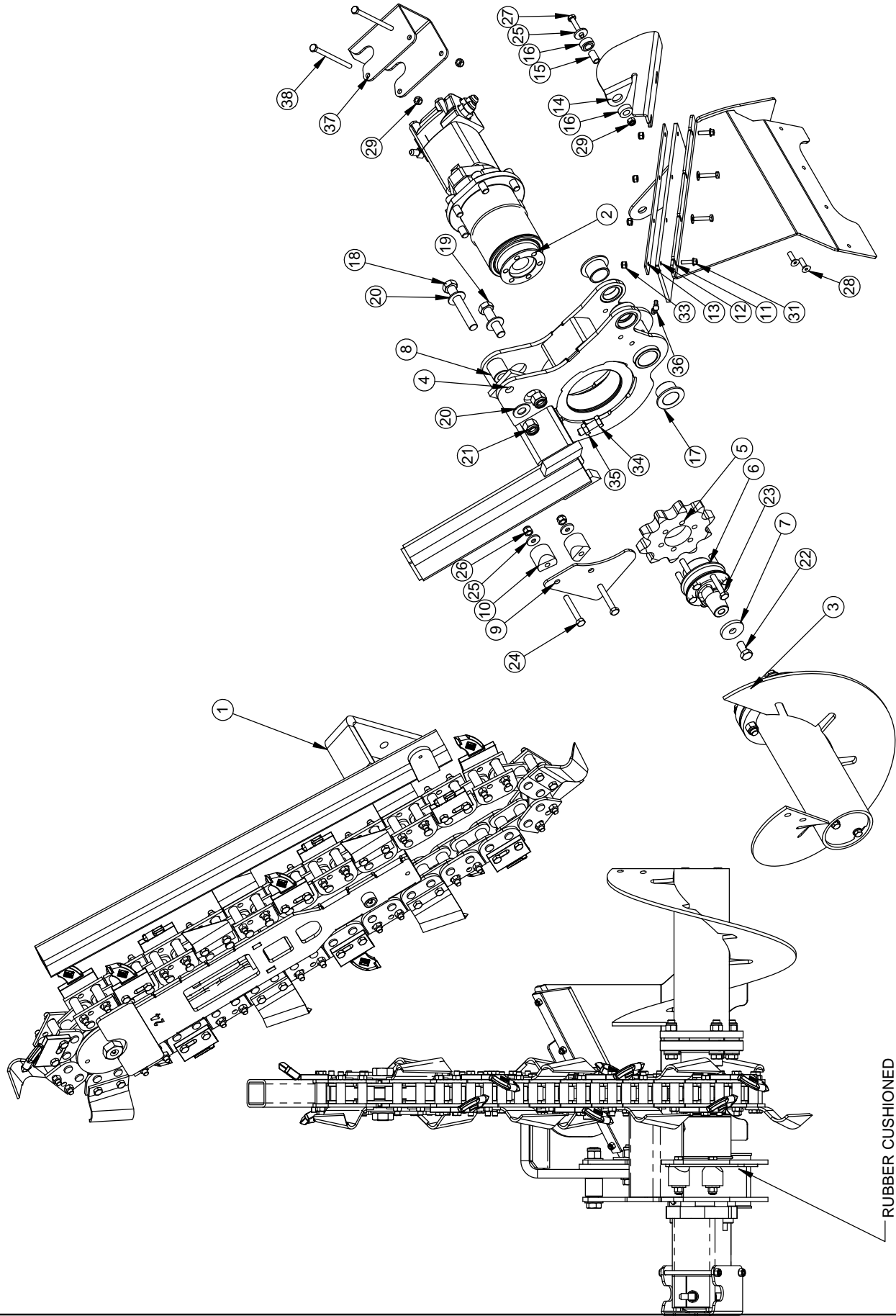
ITEM NO.	QTY.	PART NO.	DESCRIPTION
1	1	00579	STK BOOM & CHAIN ASSEMBLY
2	1	00574	SPINDLE HOUSING ASSEMBLY
3	1	00372-STK	AUGER ASSEMBLY
4	1	13235	MOTOR HOUSING
5	1	02710B	10T SPROCKET
6	1	11219 R1	AUGER DRIVER
7	1	10037P	WASHER, 1/2 X 1-3/4 X 1/4
8	1	13640	BOOM GUARD SPACER
9	1	13649	AUGER FLAP
10	2	02615	AUGER FLAP SPRING
11	1	13648	CHAIN GUARD
12	1	13656	DIRT FLAP
13	1	13659	FLAP RETAINER
14	1	13706	DEFLECTOR BRACE
15	1	13707	CUSHION SPACER
16	2	11113	CUSHION
17	2	12712	BUSHING, COMPOSITE, 1.265 X 1.514 X 1.0 FLANGE
18	1	05347	HH CAP SCREW, 5/8-11 NC X 4 G5 ZINC
19	1	05335	HH CAP SCREW, 5/8-11 NC X 2-1/2 G5 ZINC
20	3	05272	WASHER, 5/8 SAE ZINC HARDENED
21	2	05099	NUT, NYLOCK, 5/8-11 NC ZINC
22	1	05067	HH CAP SCREW, 1/2-13 NC X 1 G5 ZINC
23	6	05289	HH CAP SCREW, 3/8-24 NF X 2-1/2 G8 ZINC
24	2	05249	HH CAP SCREW, 3/8-16 NC X 2-1/2 G5 ZINC
25	3	05399	WASHER, 5/16 X 1 X 1/8 ZN
26	2	05073	NUT, NYLOCK, 3/8-16 NC ZINC
27	1	05054	HH CAP SCREW, 5/16-18 NC X 1-3/4 G5 ZINC
28	2	05432	FSCS 5/16 NC X 1 ZN
29	5	05273	NUT, NYLOCK, 5/16-18 NC ZINC
30	2	05125	HH CAP SCREW, 1/4-20 NC X 1-1/4 G5 ZINC
31	2	05535	WHIZ-LOCK 1/4 - 20 X 7/8
32	2	05081	WASHER, 1/4 SAE ZINC
33	4	05096	NUT, NYLOCK, 1/4-20 NC ZINC
34	1	05300-01	HH CAP SCREW, 1/2-13 NC X 1-1/2 G5 ZINC
35	1	11056	NUT, JAM, 1/2-13 NC G5 ZINC
36	1	05340	GREASE ZERK, 1/4-28 UNF 45°
37	1	13743	CASE DRAIN GUARD
38	2	NEW	HH CAP SCREW, 5/16-18 NC X 4-1/2 ZINC



RELEASE DATE	2/10/17
REVISED DATE	NEW
REVISION #	0

BARRETO

TITLE: BOOM ASSEMBLY
PRODUCT LINE: STK
SCALE: 1:8
SHEET 1 OF 2
DWG# 00580



TITLE: BOOM ASSEMBLY

PRODUCT LINE: STK

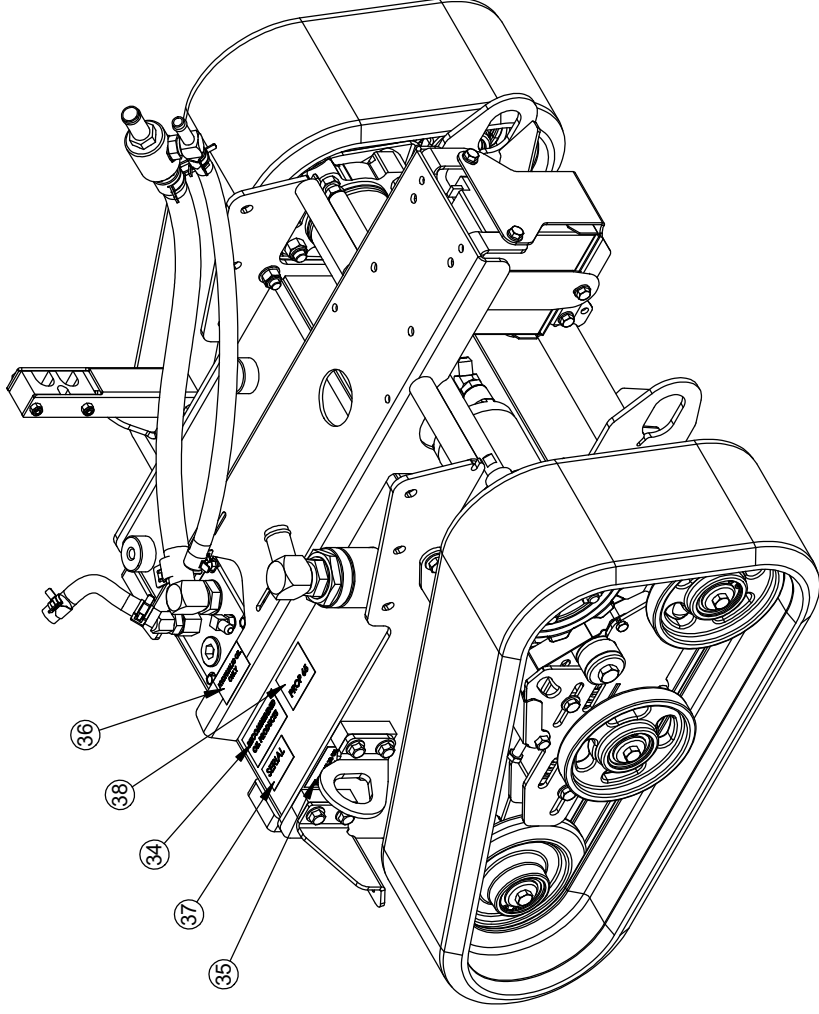
SCALE: 1:10
SHEET 2 OF 2

DWG# 00580

BARRETO

— RUBBER CUSHIONED
FLAP INSIDE HEAD PLATE

ITEM NO.	QTY.	PART NO.	DESCRIPTION
1	1	00578 R1	STK LID ASSEMBLY
2	1	00585	RIGHT CARRIAGE ASSEMBLY
3	1	00584	LEFT CARRIAGE ASSEMBLY
4	1	00586	BATTERY ASSEMBLY
5	1	13614 R1	STK BODY
6	1	13630	MOTOR BRACE
7	1	13633	TIE DOWN EYE, LH
8	1	13655	TRACK GUARD SUPPORT
9	1	13719	JUNCTION
10	1	13669	HOSE: JUNCTION / LID (RETURN)
11	1	13672	HOSE: HSTAT BOTTOM / JUNCTION "T"
12	1	10636	SUMP SCREEN, W/ O-RING 03292
13	2	03503	SIGHT GAUGE
14	2	05008	CLAMP, 1" HOSE, CTB-29
15	2	05609	CLAMP, 1/2" HOSE, CTB-20
16	1	10395	FITTING, 4601-16-16
17	1	10361	FITTING, 6409-8 PLUG
18	1	12308	FITTING, 4606-8-8-8
19	2	12781	FITTING, 4604-12-10
20	1	05429	SHCAP SCREW, 1/2-13 NC X 2-1/2 ZINC
21	1	05586	SH CAP SCREW, 1/2-13 NC X 1-1/2 ZINC
22	2	11056	NUT, JAM, 1/2-13 NC G5 ZINC
23	6	05187	HHFS 3/8-16 X 3/4, G5, ZN
24	1	13746	CLAMP BASE
25	1	13747	ARM
26	1	13748	HOSE GROMMET
27	1	13749	SPACER
28	2	03501	BUSHING, IGUS MFI-0810-08
29	1	05566	HHFS 5/16-18 X 2, G5, ZN
30	2	05591	HH CAP SCREW, 1/4-20 NC X 2 G5 ZINC
31	2	05096	NUT, NYLOCK, 1/4-20 NC ZINC
32	1	05002	NUT, GRIPCO, 5/16-18 NC G5 ZINC
33	1	13750-ASSEM	
34	1	03346	DECAL "RECOMMENDED OIL PRODUCTS"
35	2	03040-57	DECAL, "HYDRAULIC OIL LEVEL"
36	1	03040-06	DECAL, "HYDRAULIC OIL ONLY"
37	1	13690-4	SERIAL NUMBER
38	1	PROP 65	DECAL, PROP 65



RELEASE DATE	2/6/17
REVISED DATE	NEW
REVISION #	0

BARRETO

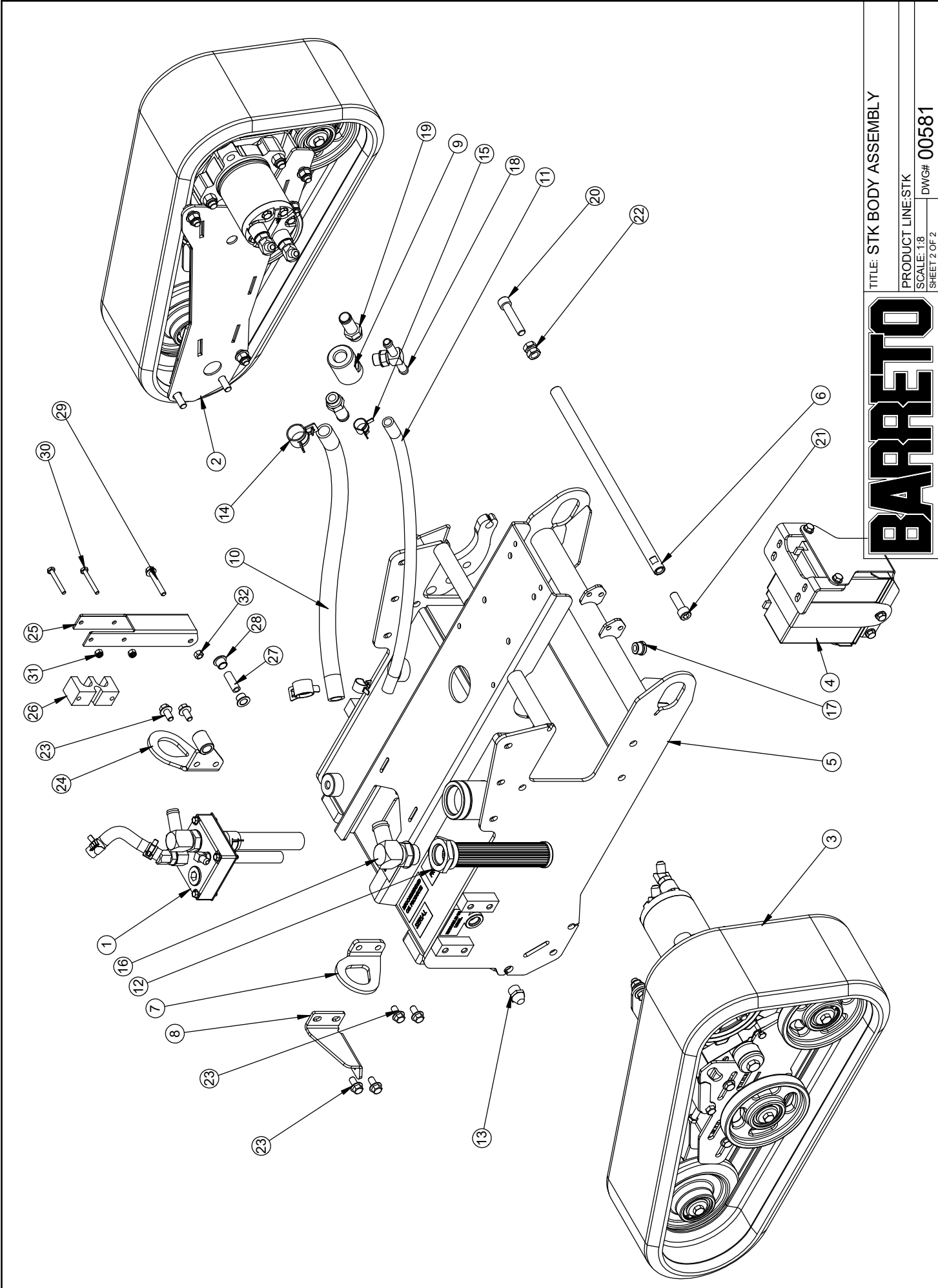
TITLE: STK BODY ASSEMBLY

PRODUCT LINE: STK

SCALE: 1:8

SHEET 1 OF 2

DWG# 00581



TITLE: STK BODY ASSEMBLY

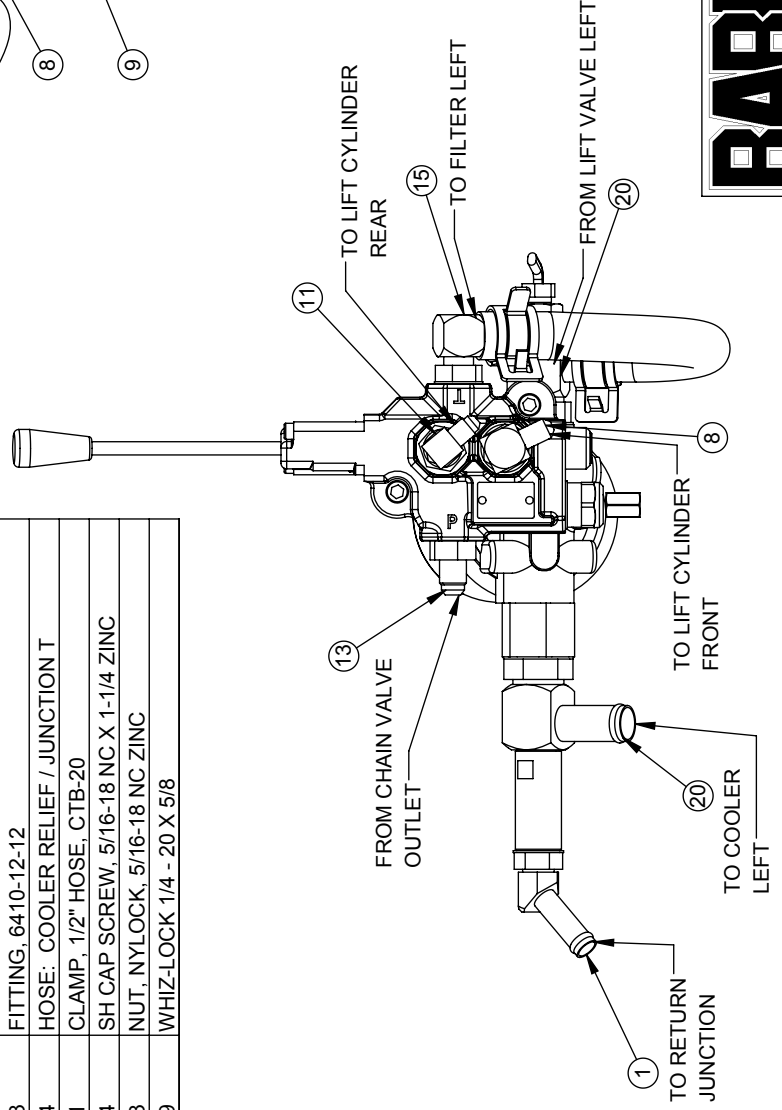
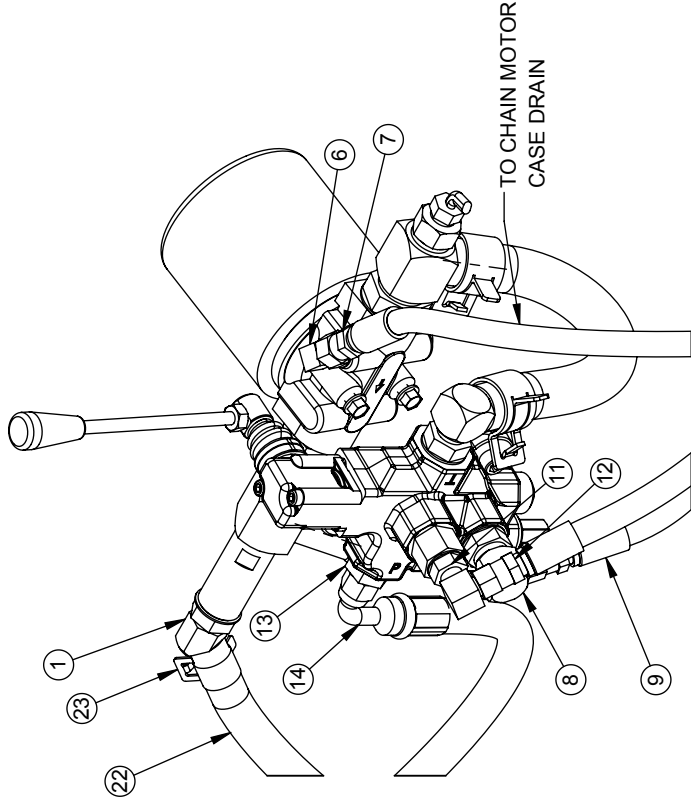
PRODUCT LINE: STK

SCALE: 1:8
SHEET 2 OF 2
DWG# 00581

BARRETO

ITEM NO.	QTY.	PART NO.	DESCRIPTION
1	1	13225-LINE	COOLER RELIEF ASSEMBLY
2	1	04040	BOOM LIFT CYLINDER VALVE
3	1	03951	FILTER, HYDRAULIC OIL, WITH BY-PASS
4	1	04212-OR-U	FILTER HEAD, #12 O-RING, BOTH TAPPED
5	1	03300	FITTING, 6409-4 PLUG
6	1	04555	FITTING, 6801-4-4
7	1	13702	HOSE: CASE DRAIN / FILTER
8	1	10403	FITTING, 6801-4-8
9	1	13695	HOSE: LIFT VALVE BOTTOM / CYLINDER FRONT
10	1	04529	FITTING, 6410-8-6
11	1	04527-01	FITTING, 6801-4-6
12	1	13696	HOSE: LIFT VALVE TOP / CYLINDER REAR
13	1	04226	FITTING, 6400-6-8
14	1	13670	HOSE: LIFT VALVE P / CHAIN VALVE FRONT
15	1	10529	FITTING, 4601-12-8
16	1	13730	HOSE: VALVE / FILTER IN
17	2	05008	CLAMP, 1" HOSE, CTB-29
18	1	12464	TEMP SWITCH, ACT B4130FD607-P100
19	1	04242	FITTING, 6405-8-4
20	2	04202-M	FITTING, 4601-12-12, TOP PORTED #8
21	1	04233	FITTING, 6410-12-12
22	1	13694	HOSE: COOLER RELIEF / JUNCTION T
23	2	12131	CLAMP, 1/2" HOSE, CTB-20
24	2	05434	SH CAP SCREW, 5/16-18 NC X 1-1/4 ZINC
25	2	05273	NUT, NYLOCK, 5/16-18 NC ZINC
26	2	05069	WHIZ-LOCK 1/4 - 20 X 5/8

DIRECTIONS / POSITIONS ARE AS THE COMPONENT SITS ON THE STK FROM THE VIEW POINT OF THE OPERATORS POSITION



RELEASE DATE	3/16/17
REVISED DATE	NEW
REVISION #	1

BARRETO

TITLE: LIFT VALVE & FILTER

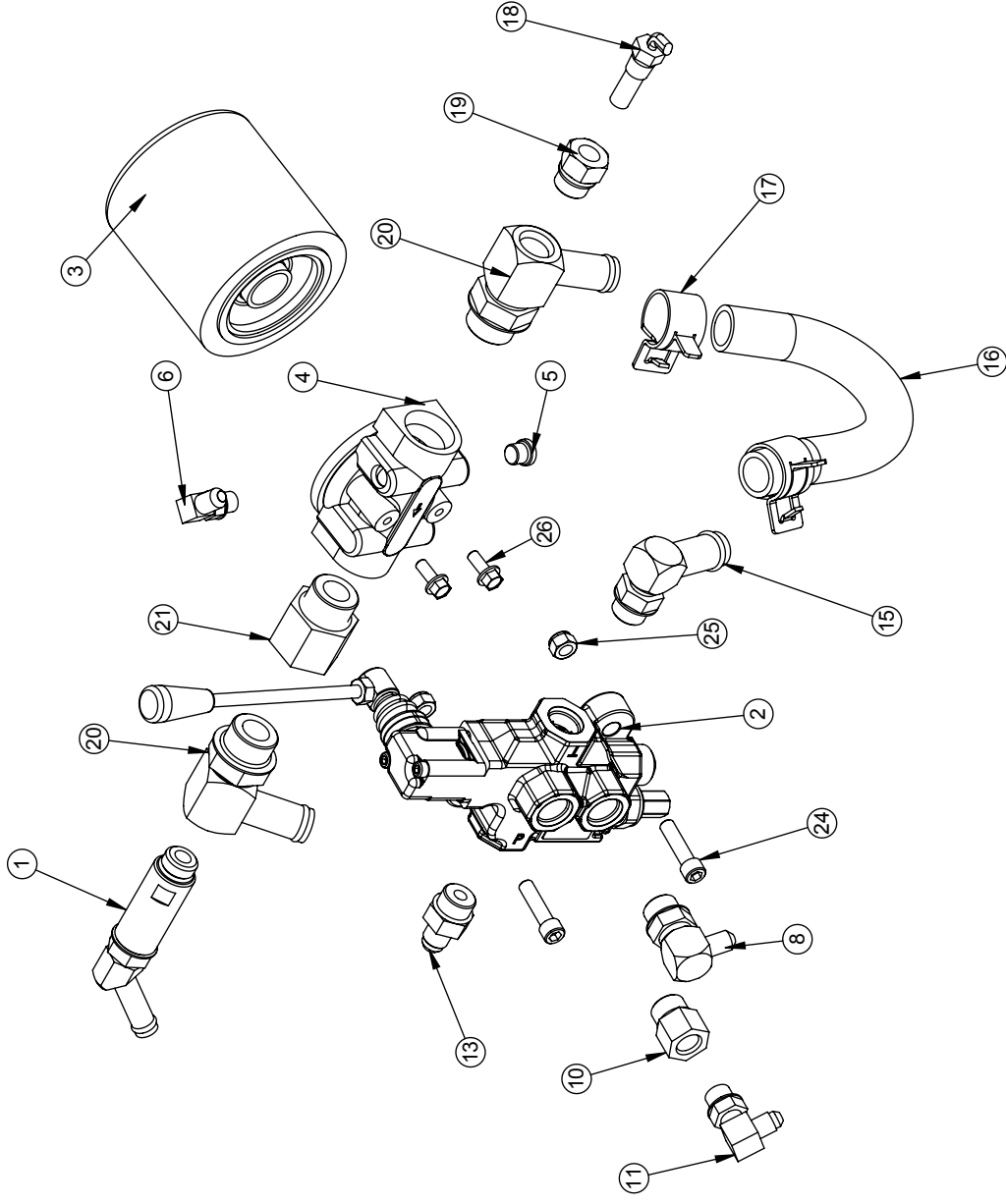
PRODUCT LINE: STK

SCALE: 1:4

SHEET: 1 OF 2

DWG# 00582

HOSES HIDDEN FOR CLARITY



TITLE: LIFT VALVE & FILTER

PRODUCT LINE: STK

SCALE: 1:4

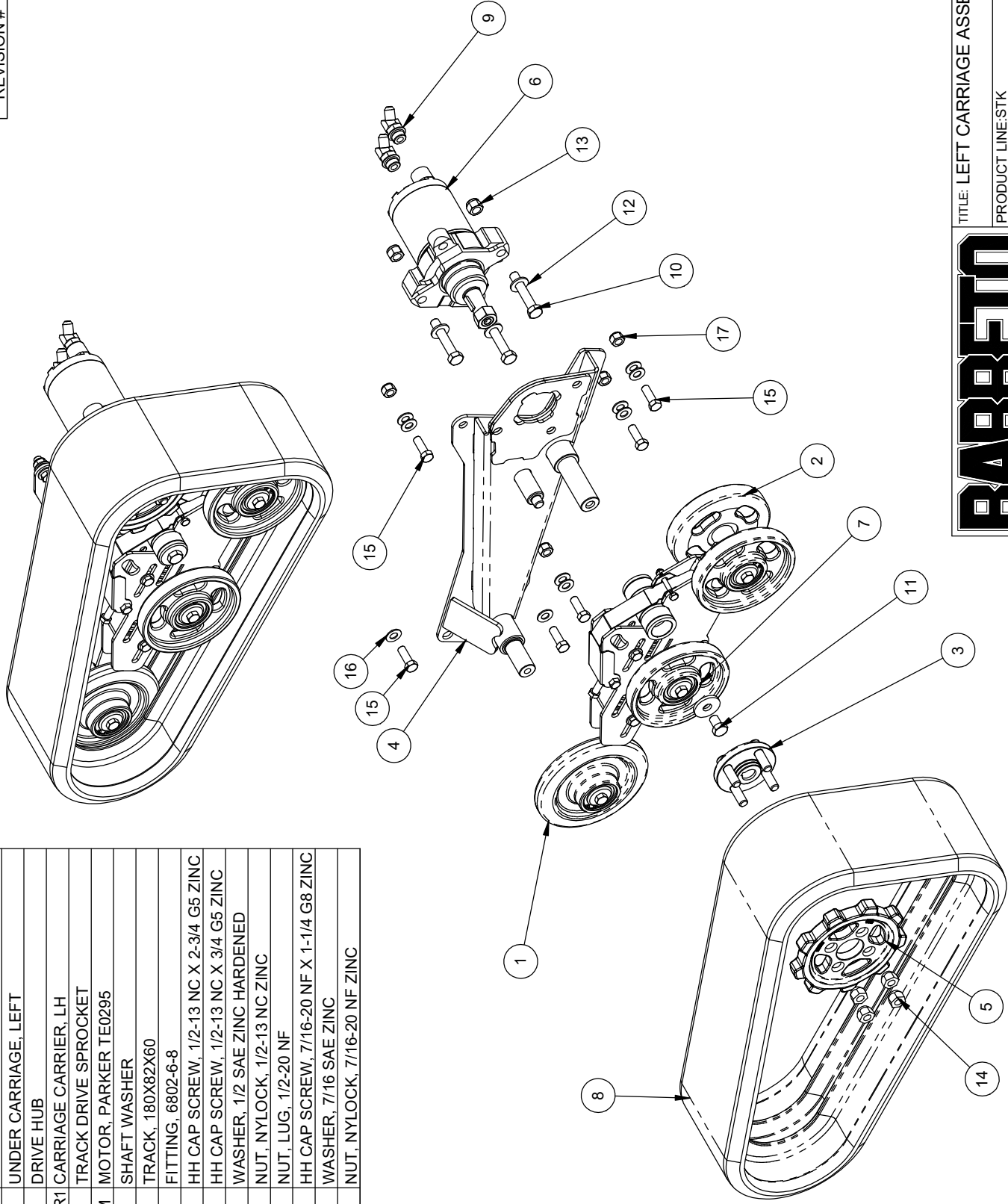
DWG# 00582

SHEET 2 OF 2



ITEM NO.	QTY.	PART NO.	DESCRIPTION
1	1	100335-SM	IDLER ASSEMBLY
2	1	100570-L	UNDER CARRIAGE, LEFT
3	1	13704	DRIVE HUB
4	1	13703L R1	CARRIAGE CARRIER, LH
5	1	13605	TRACK DRIVE SPROCKET
6	1	104044-M	MOTOR, PARKER TE0295
7	1	11027	SHAFT WASHER
8	1	13600	TRACK, 180X82X60
9	2	104235	FITTING, 6802-6-8
10	3	05257	HH CAP SCREW, 1/2-13 NC X 2-3/4 G5 ZINC
11	1	105060	HH CAP SCREW, 1/2-13 NC X 3/4 G5 ZINC
12	3	05102	WASHER, 1/2 SAE ZINC HARDENED
13	3	05098	NUT, NYLOCK, 1/2-13 NC ZINC
14	4	05042	NUT, LUG, 1/2-20 NF
15	6	05063	HH CAP SCREW, 7/16-20 NF X 1-1/4 G8 ZINC
16	10	05544	WASHER, 7/16 SAE ZINC
17	4	05077	NUT, NYLOCK, 7/16-20 NF ZINC

RELEASE DATE	2/10/17
REVISED DATE	4/3/17
REVISION #	1



BARRETO

TITLE: LEFT CARRIAGE ASSEMBLY

PRODUCT LINE:STK

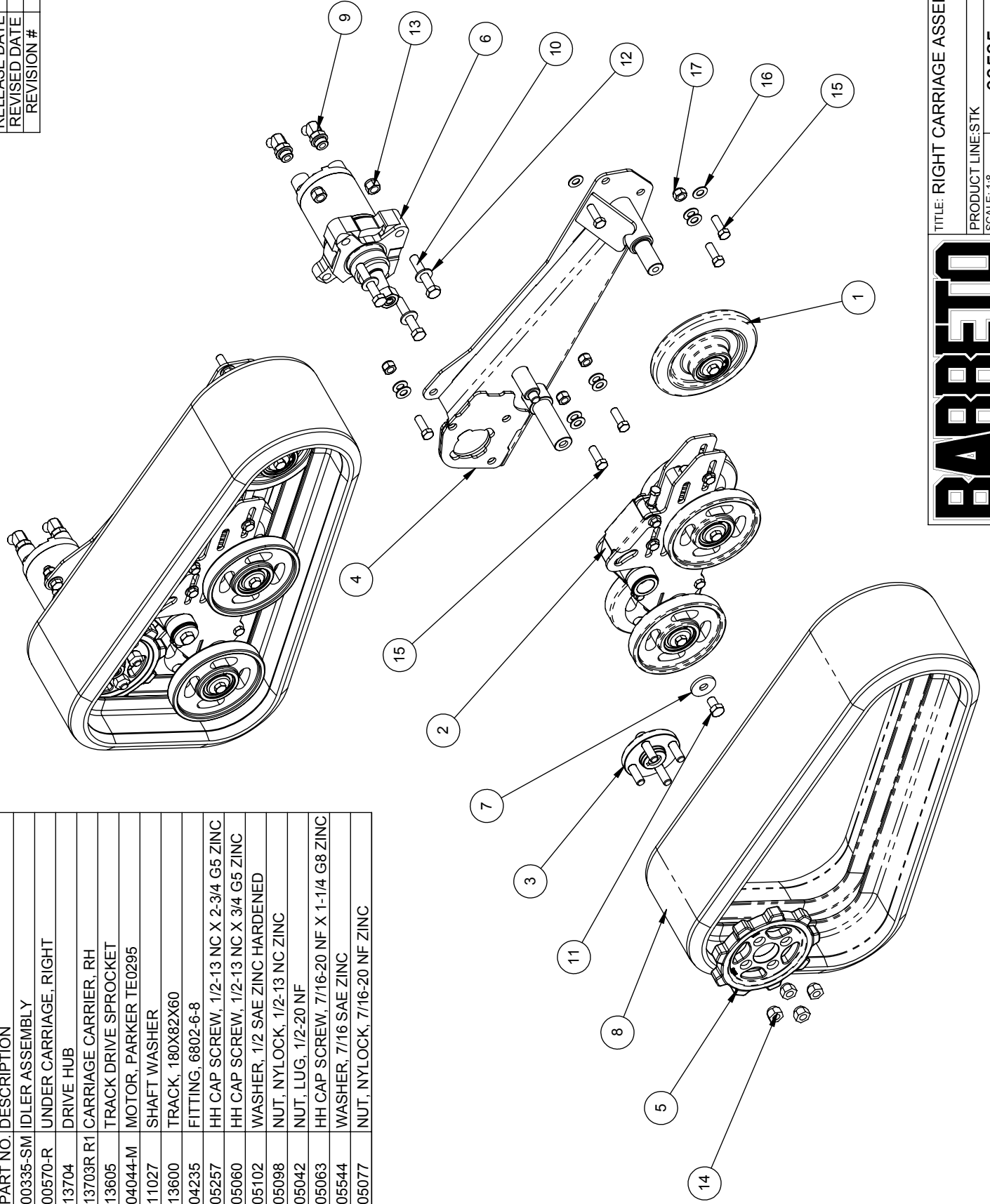
SCALE:1:8

SHEET 1 OF 1

DWG# 00584

ITEM NO.	QTY.	PART NO.	DESCRIPTION
1	1	00335-SM	IDLER ASSEMBLY
2	1	00570-R	UNDER CARRIAGE, RIGHT
3	1	13704	DRIVE HUB
4	1	13703R R1	CARRIAGE CARRIER, RH
5	1	13605	TRACK DRIVE SPROCKET
6	1	04044-M	MOTOR, PARKER TE0295
7	1	11027	SHAFT WASHER
8	1	13600	TRACK, 180X82X60
9	2	04235	FITTING, 6802-6-8
10	3	05257	HH CAP SCREW, 1/2-13 NC X 2-3/4 G5 ZINC
11	1	05060	HH CAP SCREW, 1/2-13 NC X 3/4 G5 ZINC
12	3	05102	WASHER, 1/2 SAE ZINC HARDENED
13	3	05098	NUT, NYLOCK, 1/2-13 NC ZINC
14	4	05042	NUT, LUG, 1/2-20 NF
15	6	05063	HH CAP SCREW, 7/16-20 NF X 1-1/4 G8 ZINC
16	10	05544	WASHER, 7/16 SAE ZINC
17	4	05077	NUT, NYLOCK, 7/16-20 NF ZINC

RELEASE DATE	1/30/16
REVISED DATE	4/3/17
REVISION #	1



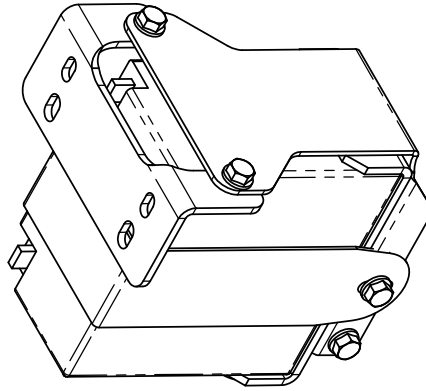
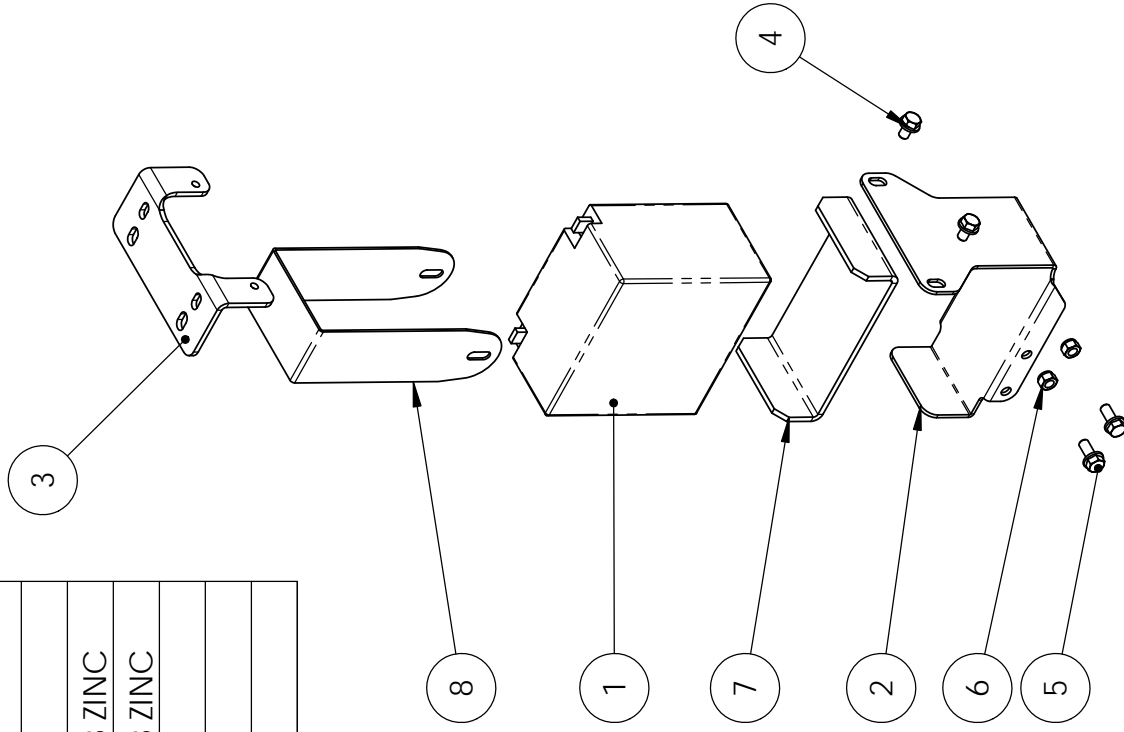
BARRETO

TITLE: RIGHT CARRIAGE ASSEMBLY

PRODUCT LINE:STK

SCALE: 1:8
SHEET 1 OF 1
DWG# 00585

ITEM NO.	QTY.	PART NO.	DESCRIPTION
1	1	03328	BATTERY CYTX14H-BS
2	1	13741	BATTERY TRAY
3	1	13733	BACK MOUNT
4	2	05520	HH FLANGE SCREW, 5/16-18 NC X 1/2 G8 ZINC
5	4	05131	HH FLANGE SCREW, 5/16-18 NC X 3/4 G8 ZINC
6	4	05273	NUT, NYLOCK, 5/16-18 NC ZINC
7	1	13734	BATTERY PAD
8	1	13742	BATTERY STRAP



BARRETO

TITLE: BATTERY ASSEMBLY

PRODUCT LINE: STK

DATE: 2/6/17

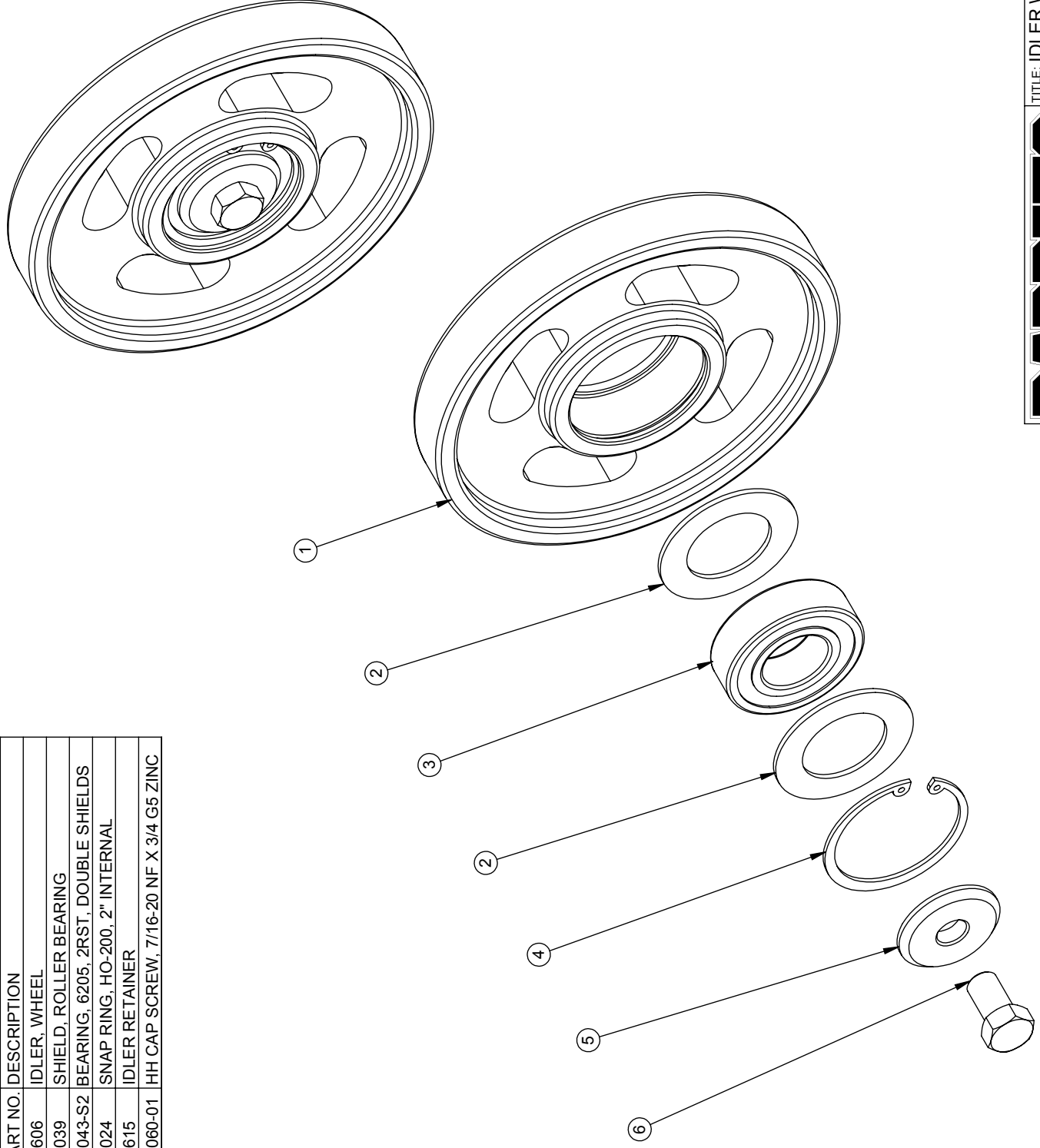
SCALE: 1:6

DWG# 00586

SHEET 1 OF 1

ITEM NO.	QTY.	PART NO.	DESCRIPTION
1	1	13606	IDLER, WHEEL
2	2	01039	SHIELD, ROLLER BEARING
3	1	03043-S2	BEARING, 6205, 2RST, DOUBLE SHIELDS
4	1	05024	SNAP RING, HO-200, 2" INTERNAL
5	1	13615	IDLER RETAINER
6	1	05060-01	HH CAP SCREW, 7/16-20 NF X 3/4 G5 ZINC

RELEASE DATE	2/9/17
REVISED DATE	NEW
REVISION #	0



BARRETO

TITLE: IDLER WHEEL ASSEMBLY

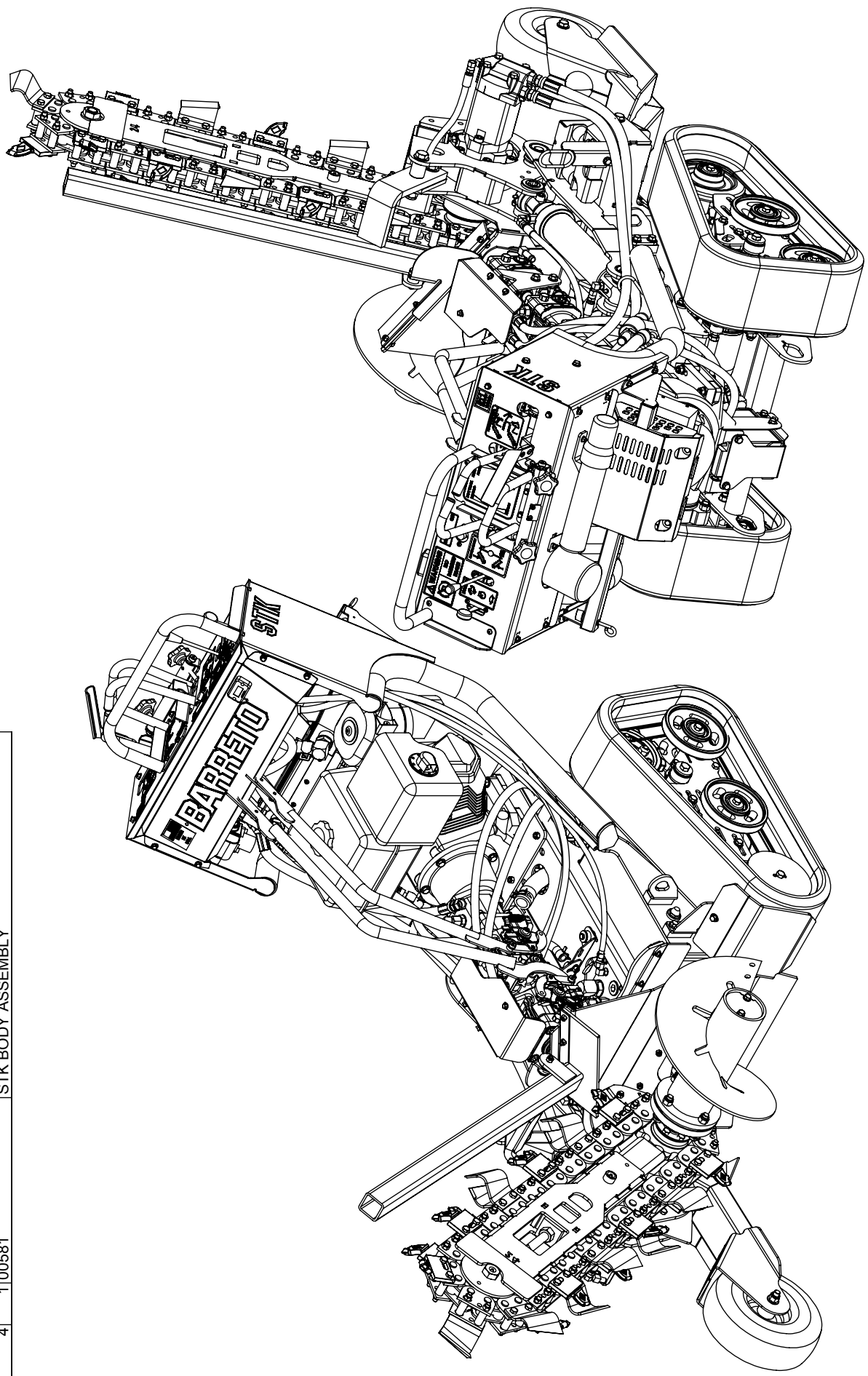
PRODUCT LINE: STK

SCALE: 1:2
SHEET 1 OF 1

DWG# 00587

ITEM NO.	QTY.	PART NO.	DESCRIPTION
1	1	00572-H13	ENGINE & PUMPS, HONDA GX390
2	1	00576	CONTROL TOWER ASSY, 13STKH
3	1	00577	FRONT END ASSEMBLY
4	1	00581	STK BODY ASSEMBLY

RELEASE DATE	2/6/17
REVISED DATE	NEW
REVISION #	0



BARRETO

TITLE: SMALL TRACK TRENCHER (STK)
 PRODUCT LINE: E13STKH
 SCALE: 1:12
 SHEET 1 OF 2
 DWG# ESTK

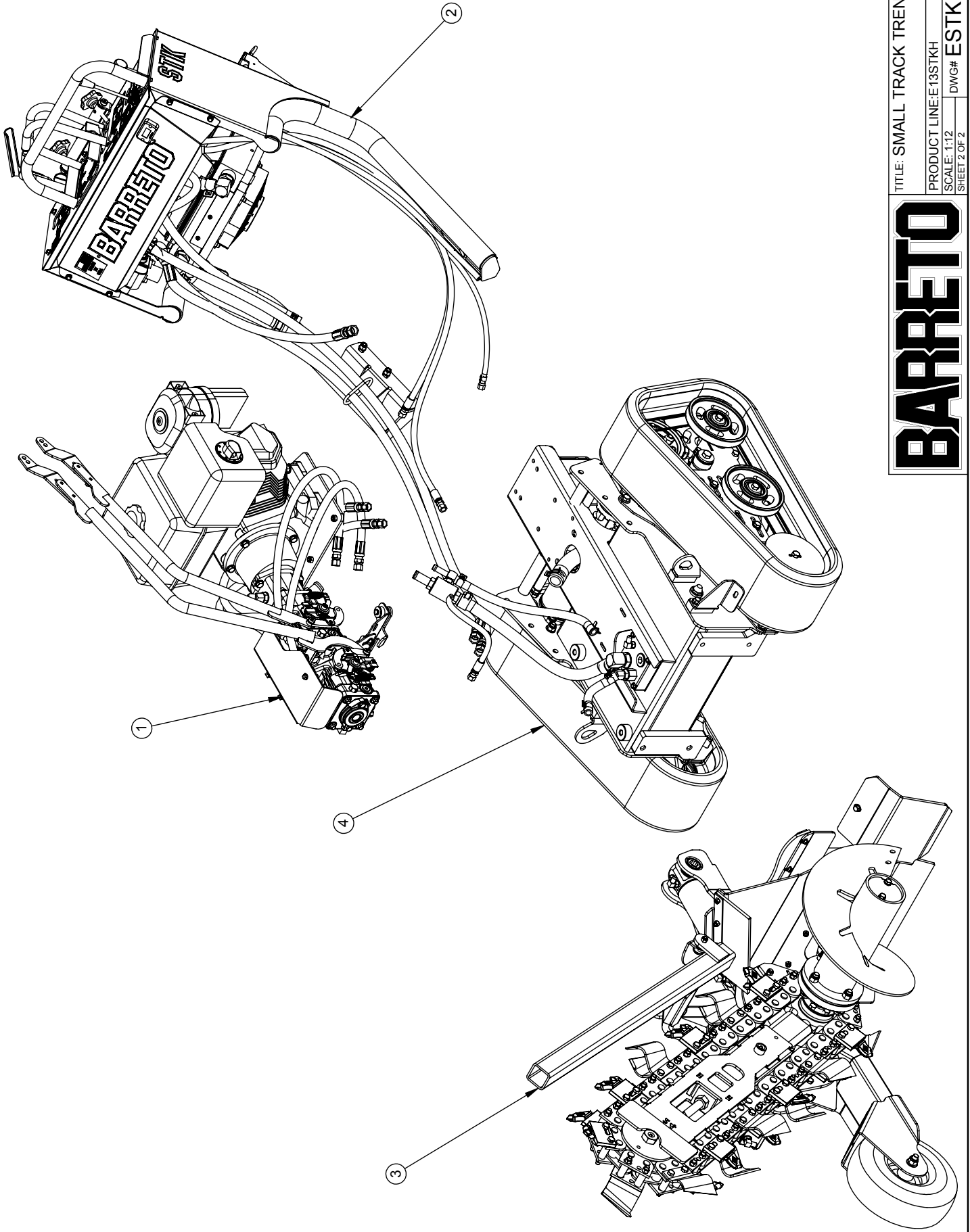
TITLE: SMALL TRACK TRENCHER (STK)

PRODUCT LINE: E13STKH

SCALE: 1:12

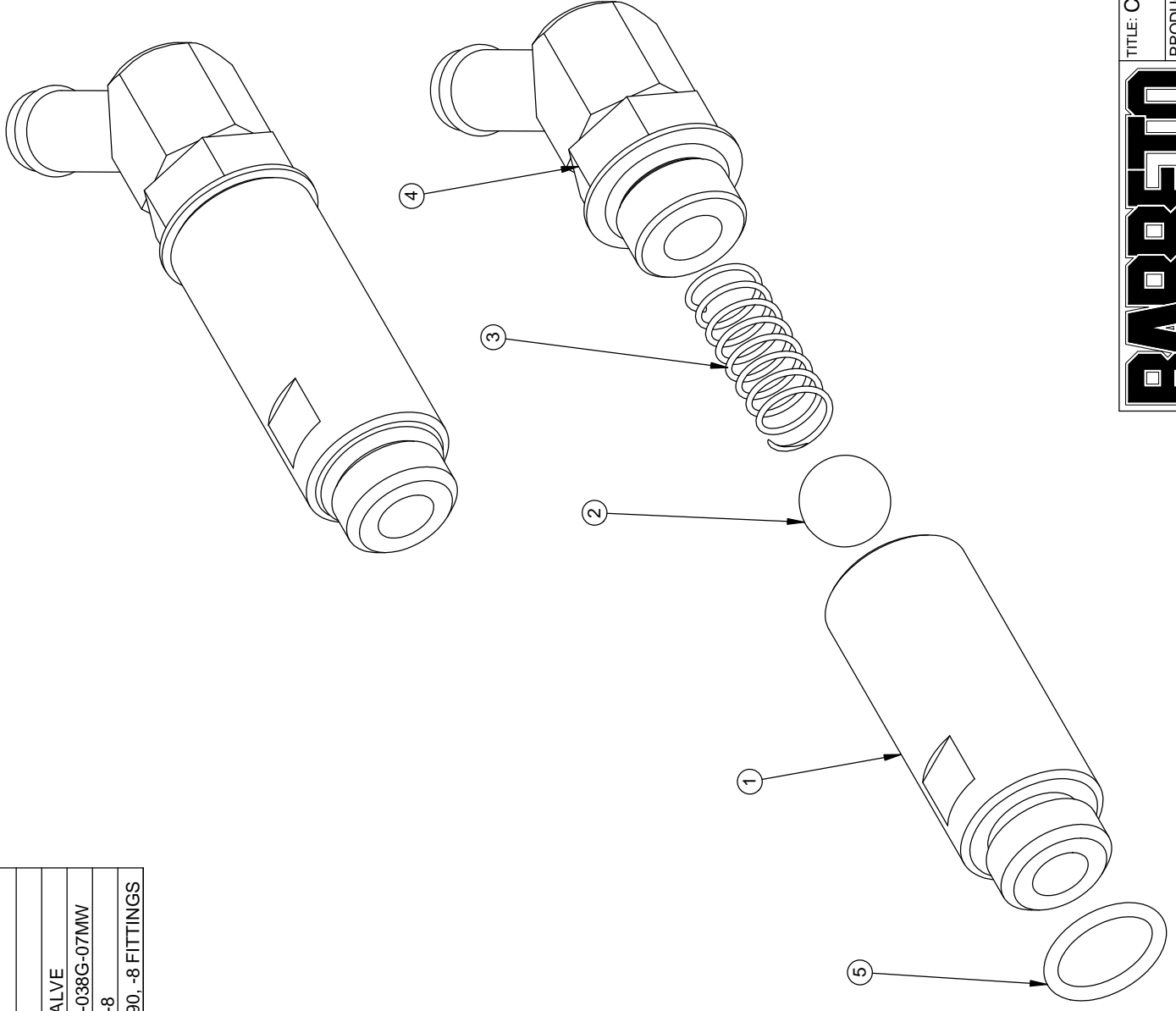
DWG# ESTK

BARRETO



ITEM NO.	QTY.	PART NO.	DESCRIPTION
1	1	13225	RELIEF BODY
2	1	04608	BALL, CHECK VALVE
3	1	13226	SPRING LEE LC-038G-07MW
4	1	04216	FITTING, 4603-8-8
5	1	03077	O-RING, 3-908N90, -8 FITTINGS

RELEASE DATE	9/12/16
REVISED DATE	NEW
REVISION #	0



BARRETO

TITLE: COOLER RELIEF ASSEMBLY	
PRODUCT LINE: STK	DWG# 13225-LINE
SCALE: 1:1	SHEET 1 OF 1

STANDARD CUP CHAIN (AKA Skip Tooth) -4

This chain has a cup tooth on every other link.

Where to use it

This chain is most effective in loamy soil - soil that is packable into clods. It is also more effective in clay or "gumbo" soil that is sticky and clings to the chain. The space between the cups allows the soil to let go instead of running around with the chain as a slurry which prevents effective digging.

**DOUBLE CUP CHAIN -4C**

This chain has a cup tooth on every link.

Where to use it

This chain is best for sand and dry, loose soil that has a tendency to fall back into the trench. The extra cups provide for better clean-out.

**COMBO/SHARK CHAIN -4MS**

This chain has an alternating pattern of cup and Shark teeth.

Where to use it.

Use this chain in pretty much the same conditions as the standard combo chain. Although not as aggressive, the Shark teeth last longer and do not fall off. This is our most popular chain.

**SHARK CHAIN -4S**

The teeth on this chain are all Shark teeth that are welded onto the chain. Replacement teeth are not available for this chain.

Where to use it.

This chain can be used in the most adverse soils. It is good in rocky soil, "cliché", limestone, hard-pan and any other hard to dig soils. It does not clean out well in sandy or dry, loose loamy soil. This is not the fastest but it is the most durable chain available. It is not uncommon for the teeth to outlast the chain rollers. When the rollers wear out, the complete chain must be replaced.

**BOLT-ON SHARK CHAIN -4SB**

This chain utilizes a standard chain blank and has Shark teeth that are bolted to the chain blank.

Where to use it.

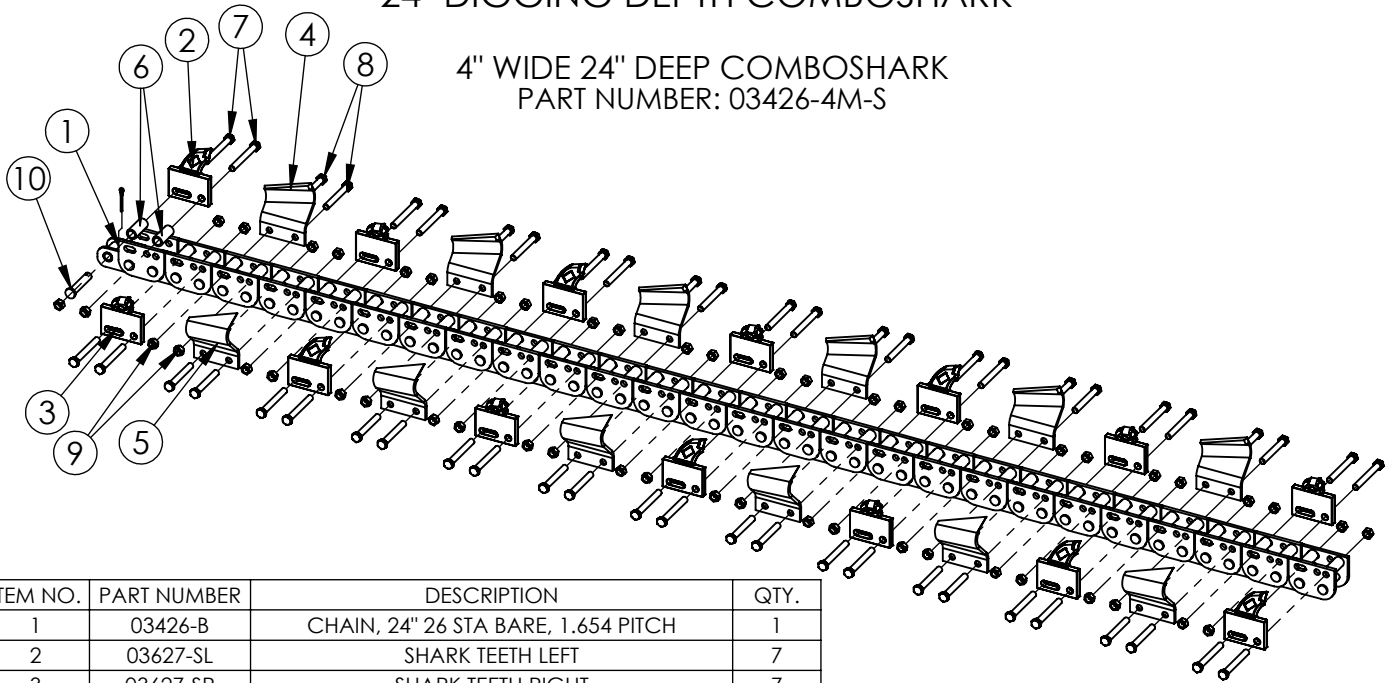
This chain is good in all the conditions described for the Shark chain. The advantage is the teeth can be removed when the chain wears out and can be used on a new blank. It is not uncommon for the teeth to last through two chains.



NOTE: ON FULL SIZE TRENCHERS, ALL CHAINS ARE AVAILABLE IN 6" WIDTHS AS WELL.

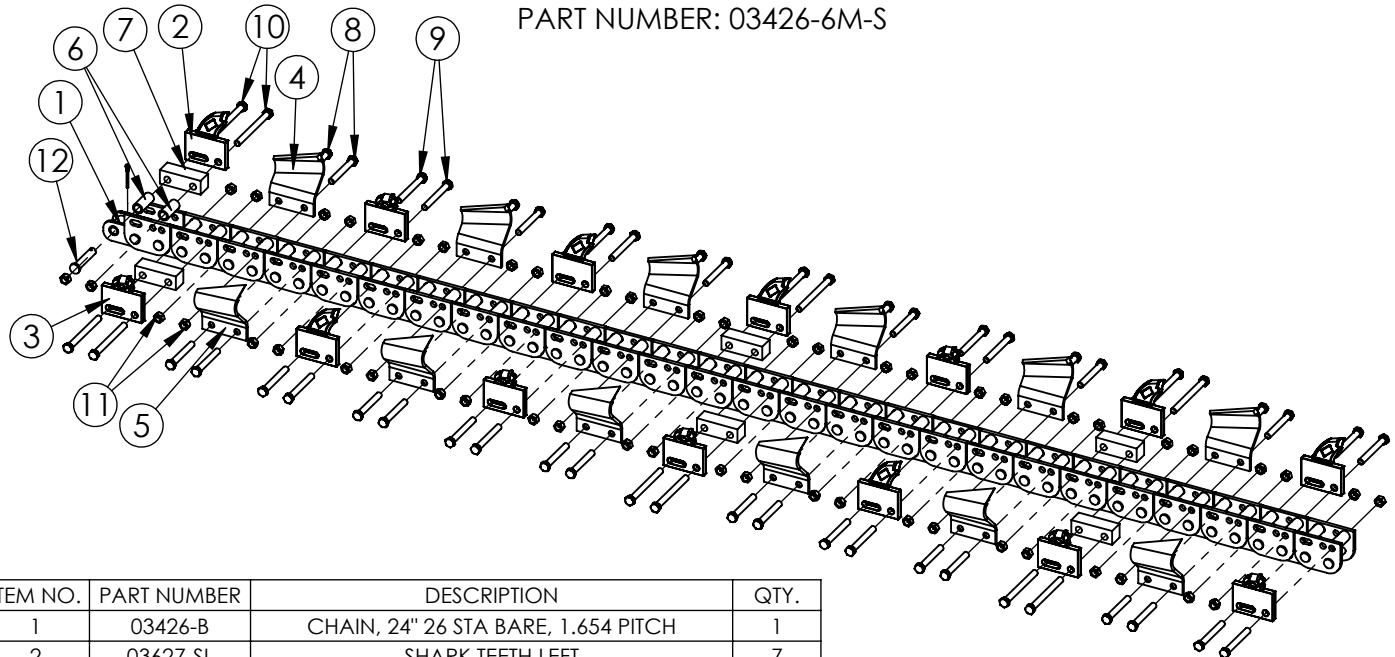
24" DIGGING DEPTH COMBOSHARK

4" WIDE 24" DEEP COMBOSHARK
PART NUMBER: 03426-4M-S



ITEM NO.	PART NUMBER	DESCRIPTION	QTY.
1	03426-B	CHAIN, 24" 26 STA BARE, 1.654 PITCH	1
2	03627-SL	SHARK TEETH LEFT	7
3	03627-SR	SHARK TEETH RIGHT	7
4	03623-L	CUP, LEFT HAND	6
5	03623-R	CUP, RIGHT HAND	6
6	01654	SPACER, TRENCHER CHAIN, 1.545	52
7	05288	HH CAP SCREW, 3/8-24 NF X 3 G8 ZINC	28
8	05279	HH CAP SCREW, 3/8-24 NF X 2-3/4 G8 ZINC	24
9	05283	NUT, GRIPCO, 3/8-24 NF G8 ZINC	52
10	03626	PIN & COTTER	1

6" WIDE 24" DEEP COMBOSHARK
PART NUMBER: 03426-6M-S



ITEM NO.	PART NUMBER	DESCRIPTION	QTY.
1	03426-B	CHAIN, 24" 26 STA BARE, 1.654 PITCH	1
2	03627-SL	SHARK TEETH LEFT	7
3	03627-SR	SHARK TEETH RIGHT	7
4	03623-L	CUP, LEFT HAND	6
5	03623-R	CUP, RIGHT HAND	6
6	01654	SPACER, TRENCHER CHAIN, 1.545	52
7	02604	SPACER, 6" DIG CHAIN	6
8	05279	HH CAP SCREW, 3/8-24 NF X 2-3/4 G8 ZINC	24
9	05288	HH CAP SCREW, 3/8-24 NF X 3 G8 ZINC	16
10	05232	HH CAP SCREW, 3/8-24 NF X 4 G8	12
11	05283	NUT, GRIPCO, 3/8-24 NF G8 ZINC	52
12	03626	PIN & COTTER	1

BARRETO