

THE
BARRETO

MODEL 13SGH-16SGB STUMP GRINDER
EXPLODED VIEWS WITH PART NUMBERS

CONGRATULATIONS!

You are now the proud owner of a BARRETO stump grinder. The following pages have detailed views of your machine, along with corresponding part numbers. If you have any questions or need any replacement parts in the future, please contact us at your convenience. Our toll-free phone number, fax and email are listed below and parts may be ordered through any of these methods.

Thank you for your patronage and confidence in BARRETO equipment.

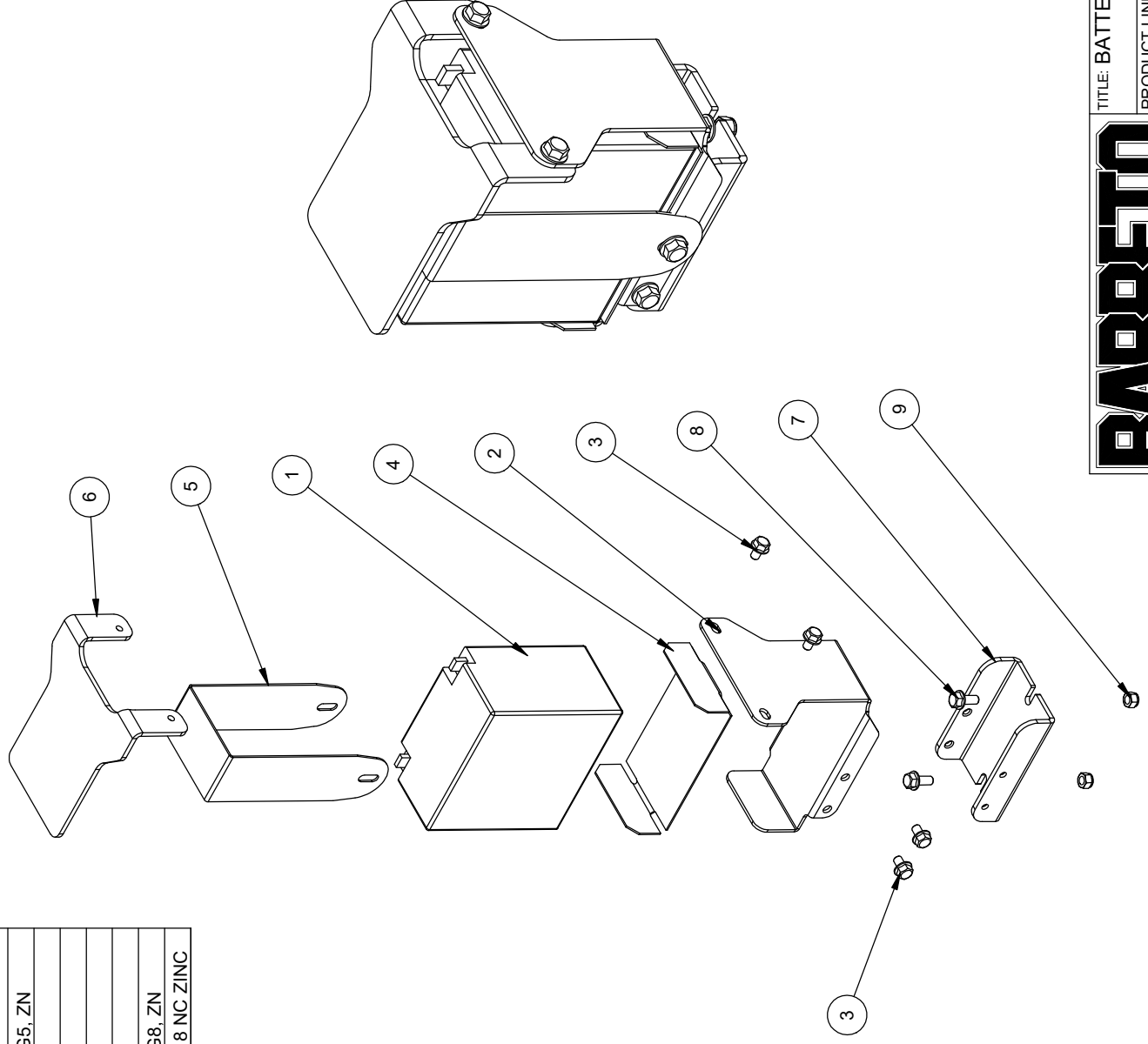
Barreto Manufacturing, Inc.
Innovative Equipment Engineered to Last
66498 Highway 203
La Grande, OR 97850
1-800-525-7348
1-541-963-6755 Fax
E-Mail: info@barretomfg.com
Web Site: <http://www.barretomfg.com>

Machine Identification Record

BARRETO Customer number _____
Machine model number _____
Machine serial number _____
Engine manufacturer _____
Engine model number _____
Engine serial number _____

ITEM NO.	QTY.	PART NO.	DESCRIPTION
1	1	03328	BATTERY CYTX14H-BS
2	1	13741	BATTERY TRAY
3	6	05131	HHFS 5/16-18 X 1/2, G5, ZN
4	1	13734	BATTERY PAD
5	1	13742	BATTERY STRAP
6	1	14087	BACK MOUNT
7	1	14088	BATTERY MOUNT
8	2	05567	HHFS 5/16-18 X 3/4, G8, ZN
9	2	05273	NUT, NYLOCK, 5/16-18 NC ZINC

RELEASE DATE	XXXXXXXXXX
REVISED DATE	NEW
REVISION #	0

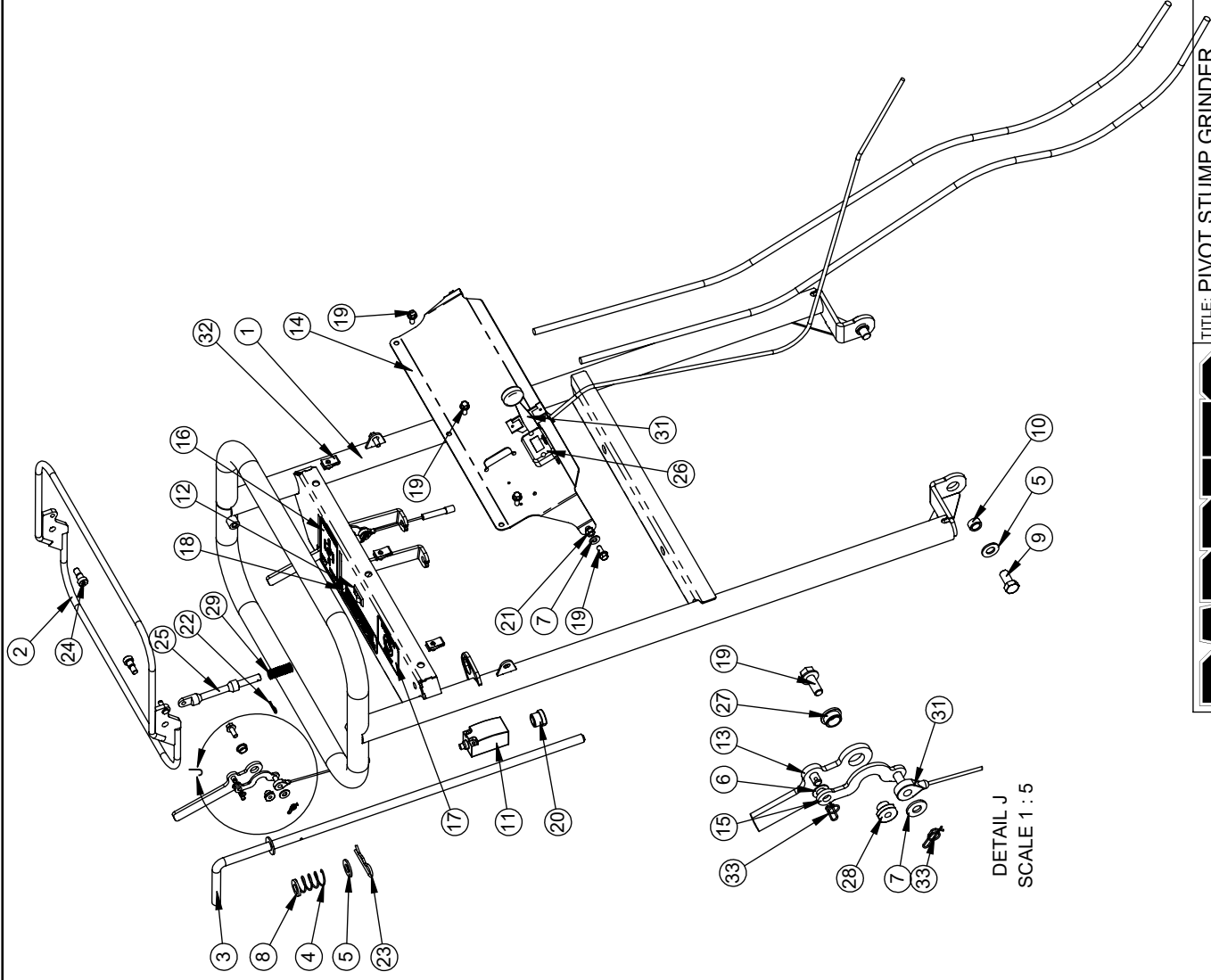


BARRETO

TITLE:	BATTERY ASSEMBLY
PRODUCT LINE:	16-SG
SCALE:	1:6
SHEET:	1 OF 1
DWG#:	00586-SG

ITEM NO.	PART NUMBER	DESCRIPTION	QTY.
1	14007	PIVOT SG UPRIGHT	1
2	14014	SWITCH BAIL	1
3	14015	UPRIGHT LOCK PIN	1
4	03352	SPRING, CENTURY 3385	1
5	05102	WASHER, 1/2 SAE ZINC HARDENED	3
6	03029-03	WASHER, 1/4 NYLON	1
7	05081	WASHER, 1/4 SAE ZINC	4
8	10469	THRUST WASHER, .500 X 1.000 X .125 NYLATRON	1
9	05067	HH CAP SCREW, 1/2-13 NC X 1 G5 ZINC	2
10	14029	PIVOT BUSHING	2
11	14030	EATON MOELLER LS-S11S	1
12	06420	ROCKER SWITCH, IGNITION OFF/ON	1
13	14031	BRAKE LEVER	2
14	14040	COVER PLATE	1
15	14044	CABLE LINK	2
16	14048	WHEEL LOCK DECAL	1
17	14049	ADJUSTMENT BAR DECAL	1
18	14050	OPERATION DECAL	1
19	05069	WHIZ-LOCK 1/4 - 20 X 5/8	8
20	14051	SWITCH BOLT	1
21	05096	NUT, NYLOCK, 1/4-20 NC ZINC	2
22	05310	HAIR SPRING COTTER #2	1
23	05142	HAIR SPRING COTTER #8	1
24	05111	SHSB, 3/8S X 3/8SL X 5/16 NC, BK OX	2
25	14034	SWITCH ROD	1
26	03009 R1	HOUR METER, WITH FLASH ALERT	1
27	11291	BUSHING, IGUS MFI-0608-04	2
28	14067	LEVER PIVOT	2
29	14055	SPRING - CENTURY 10700	1
30	14035	BRAKE CABLE	2
31	03535	THROTTLE CABLE	1
32	05365	CLIP NUT, 1/4-20	3
33	05038	RUE RING COTTER #8	4

1 HONDA THROTTLE CABLE PN: 03515T



DETAIL J
SCALE 1 : 5

BARRETO

TITLE: PIVOT STUMP GRINDER

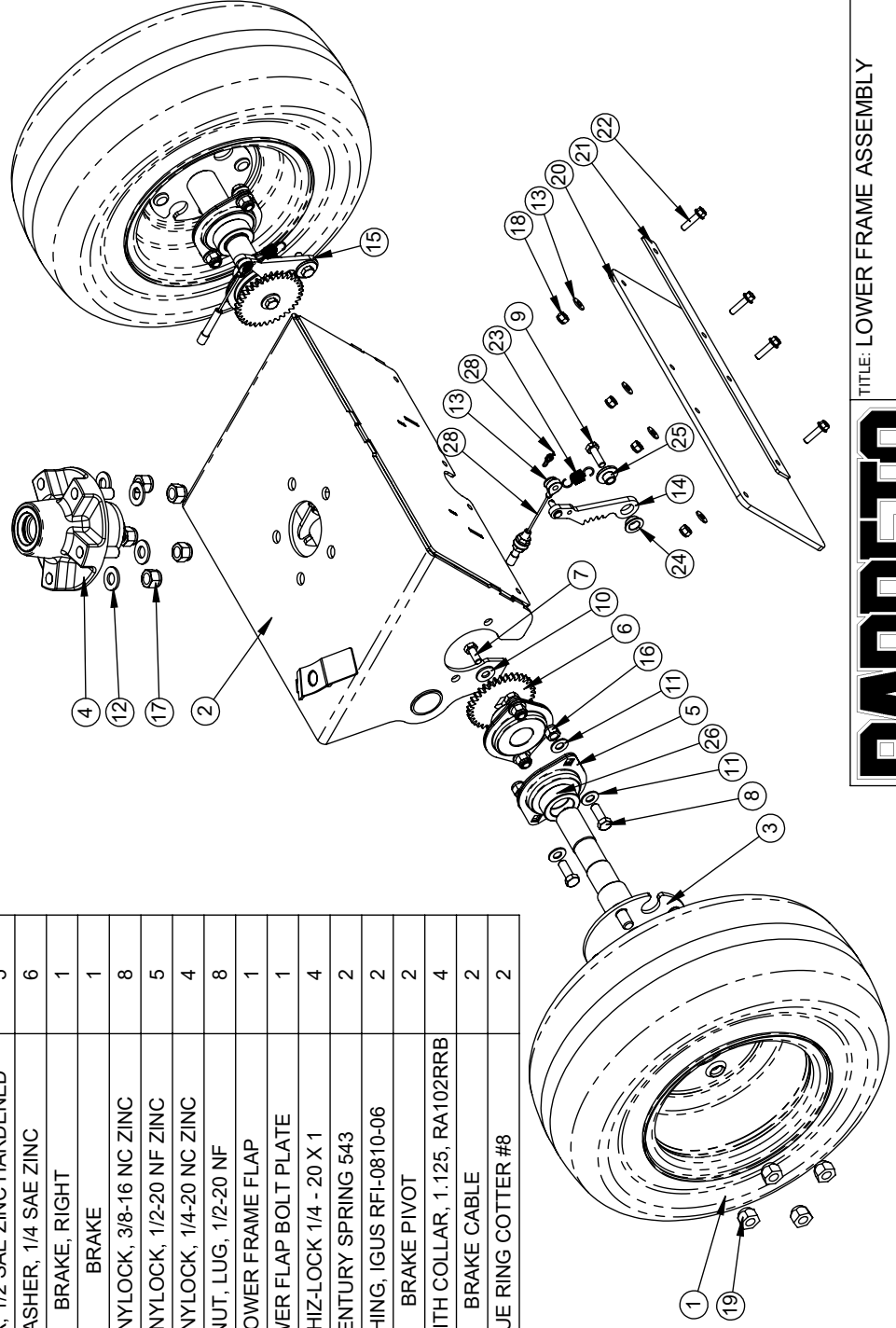
PRODUCT LINE:

SCALE: 1:10

SHEET 7 OF 7

DWG# 00750

ITEM NO.	PART NUMBER	DESCRIPTION	QTY.
1	14003	TURF SAVER II TIRE	2
2	14001	WHEEL FRAME	1
3	14004	PIVOT SG AXLE	2
4	03804	WHEEL HUB, 5 ON 4.5 BC	1
5	03283	BEARING FLANGE SET	4
6	14045	BRAKE PLATE	2
7	05247	HH CAP SCREW, 5/16-18 NC X 3/4 G5 ZINC	2
8	05059	HH CAP SCREW, 3/8-16 NC X 1 G5 ZINC	8
9	05315	HH CAP SCREW, 5/16-18 NC X 1 G5 ZINC	2
10	10615	WASHER, 5/16 USS ZINC	2
11	05101	WASHER, 3/8 SAE ZINC	16
12	05102	WASHER, 1/2 SAE ZINC HARDENED	5
13	05081	WASHER, 1/4 SAE ZINC	6
14	14041R	BRAKE, RIGHT	1
15	14041	BRAKE	1
16	05073	NUT, NYLOCK, 3/8-16 NC ZINC	8
17	05075	NUT, NYLOCK, 1/2-20 NF ZINC	5
18	05096	NUT, NYLOCK, 1/4-20 NC ZINC	4
19	05042	NUT, LUG, 1/2-20 NF	8
20	14047	LOWER FRAME FLAP	1
21	14054	LOWER FLAP BOLT PLATE	1
22	05368	WHIZ-LOCK 1/4 - 20 X 1	4
23	14056	CENTURY SPRING 543	2
24	10100	BUSHING, IGUS RFI-0810-06	2
25	14065	BRAKE PIVOT	2
26	03306	BEARING WITH COLLAR, 1.125, RA102RRB	4
27	14035	BRAKE CABLE	2
28	05038	RUE RING COTTER #8	2



BARRETO

TITLE: LOWER FRAME ASSEMBLY

PRODUCT LINE:

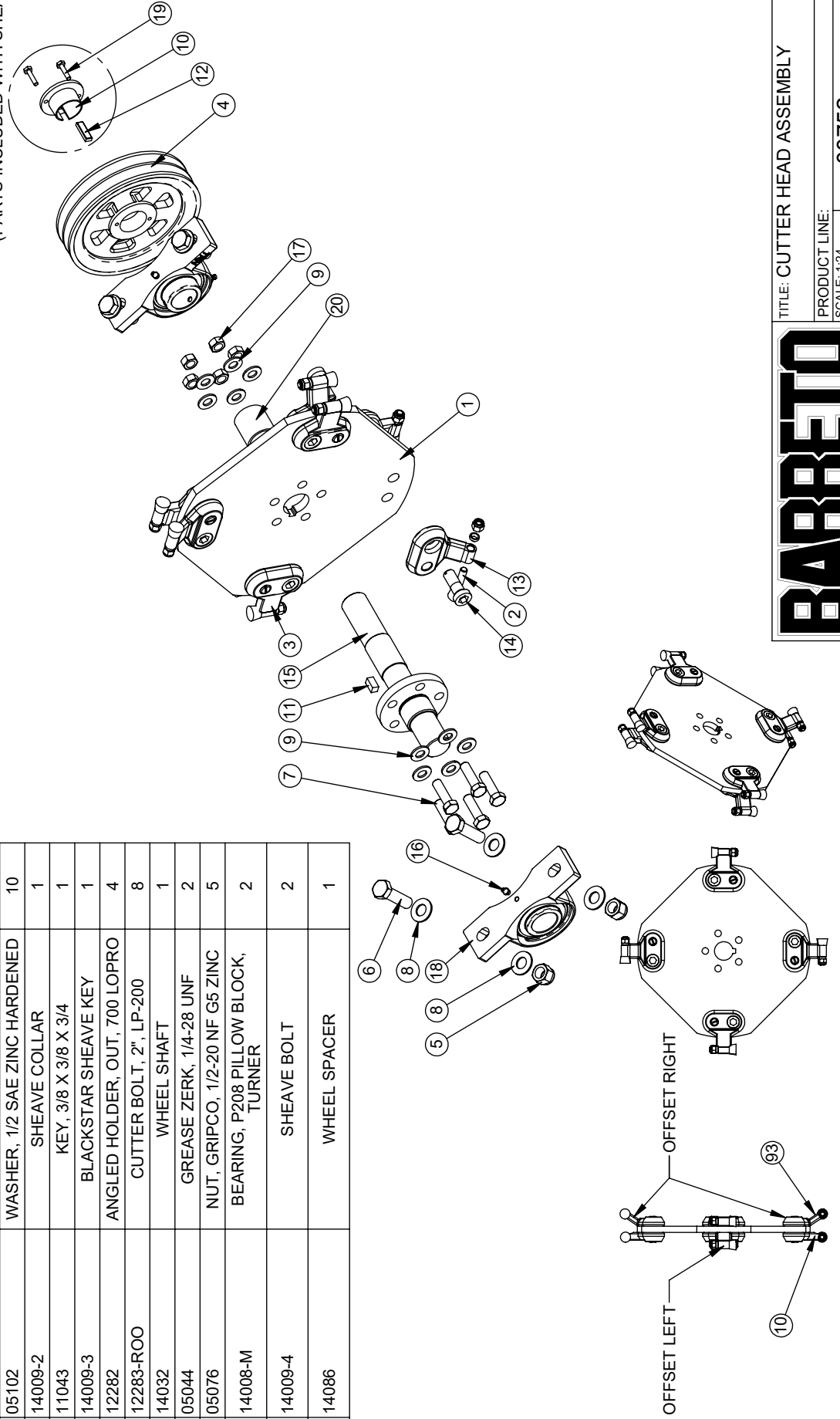
SCALE: 1:8

SHEET 3 OF 7

DWG# 00751

ITEM NO.	PART NUMBER	DESCRIPTION	QTY.
1	14010	CUTTER WHEEL	1
2	12280	CUT TOOTH, 700 LOPRO GREEN	8
3	12281	STRAIGHT HOLDER, 700 LOPRO	4
4	14009-1	BLACKSTAR 2BK80H SHEAVE	1
5	05099	NUT, NYLOCK, 5/8-11 NC ZINC	4
6	05332	HH CAP SCREW, 5/8-11 NC X 2-1/4 G5 ZINC	4
7	10257	HH CAP SCREW, 1/2-20 NF X 1-3/4 G5 ZINC	5
8	05272	WASHER, 5/8 SAE ZINC HARDENED	8
9	05102	WASHER, 1/2 SAE ZINC HARDENED	10
10	14009-2	SHEAVE COLLAR	1
11	11043	KEY, 3/8 X 3/8 X 3/4	1
12	14009-3	BLACKSTAR SHEAVE KEY	1
13	12282	ANGLED HOLDER, OUT, 700 LOPRO	4
14	12283-ROO	CUTTER BOLT, 2", LP-200	8
15	14032	WHEEL SHAFT	1
16	05044	GREASE ZERK, 1/4-28 UNF	2
17	05076	NUT, GRIPCO, 1/2-20 NF G5 ZINC	5
18	14008-M	BEARING, P208 PILLOW BLOCK, TURNER	2
19	14009-4	SHEAVE BOLT	2
20	14086	WHEEL SPACER	1

(PARTS INCLUDED WITH SHEAVE)



BARRETO

TITLE: CUTTER HEAD ASSEMBLY

PRODUCT LINE:

SCALE: 1:24

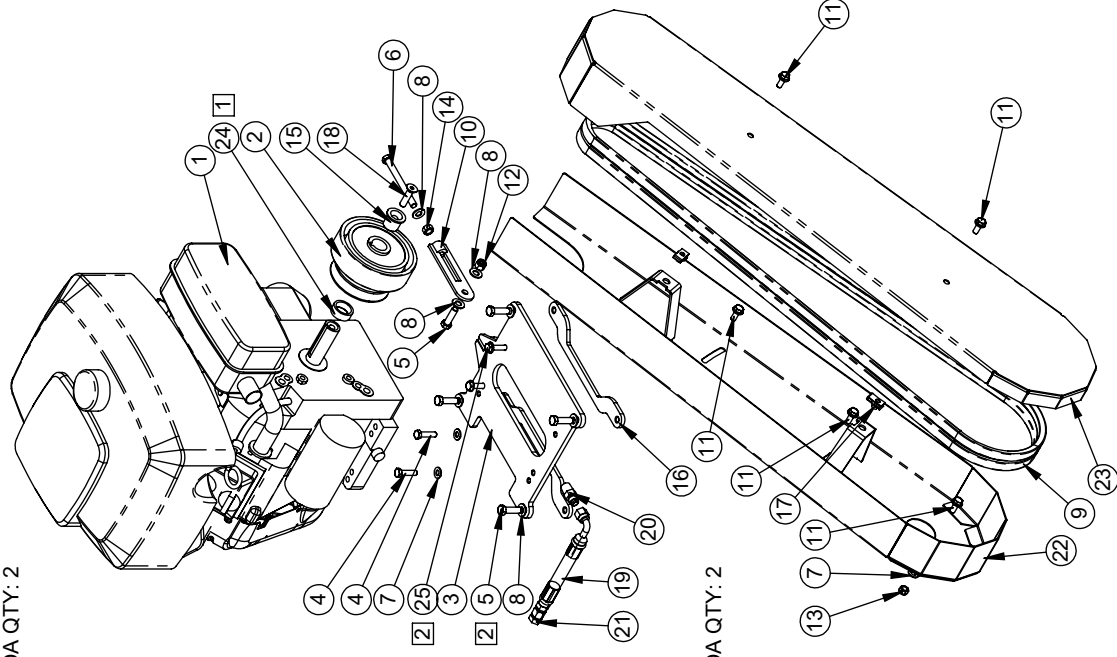
SHEET 4 OF 7

DWG# 00752

ITEM NO.	PART NUMBER	DESCRIPTION	QTY.
1	07001	ENGINE, 16 HP B&S	1
2	14012	NORAM 180009 CLUTCH	1
3	14016	ENGINE TENSION PLATE	1
4	05297	HH CAP SCREW, 5/16-18 NC X 1-1/4 G5 ZINC	3
5	05091	HH CAP SCREW, 3/8-16 NC X 1-1/4 G5 ZINC	5
6	14079	HH CAP SCREW, 3/8-16 NC X 4 G5 ZINC FULL THREAD	1
7	05068	WASHER, 5/16 SAE ZINC	5
8	05101	WASHER, 3/8 SAE ZINC	7
9	14018	ARAMAX BK74 BELT	2
10	14027	ENGINE TENSIONER	1
11	05140	WHIZ-LOCK 5/16 - 18 X 3/4	5
12	05073	NUT, NYLOCK, 3/8-16 NC ZINC	1
13	05273	NUT, NYLOCK, 5/16-18 NC ZINC	1
14	10928	NUT, 3/8-16 NC GRB PLAIN	1
15	14060	ENGINE SHAFT SPACER	1
16	14066	ENGINE NUT BAR	2
17	05359	CLIP NUT, 5/16-18	2
18	14058	FLAT SOCKET CAP SCREW 3/8-24 X 1-1/2"	1
19	12340T	HOSE, CYLINDER VALVE - RETURN JCT	1
20	10863	HYD ADAPTER 2404-6-6	1
21	04539	FITTING, 2408-6	1
22	14023 R1	INSIDE BELT COVER	1
23	14028 R1	BELT COVER	1
24	14057	CLUTCH SPACER	1
25	05294	HH CAP SCREW, 5/16-18 NC X 1-1/2 G5 ZINC	1

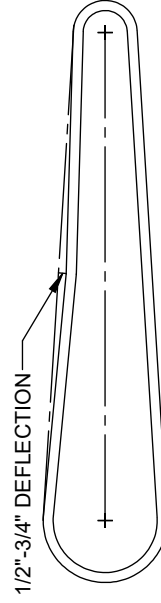
2 HONDA QTY: 2

2 HONDA QTY: 2



1 HONDA SHAFT SPACER PN: 14078

V-BELT TENSION



BARRETO

TITLE: ENGINE-BELT ASSEMBLY

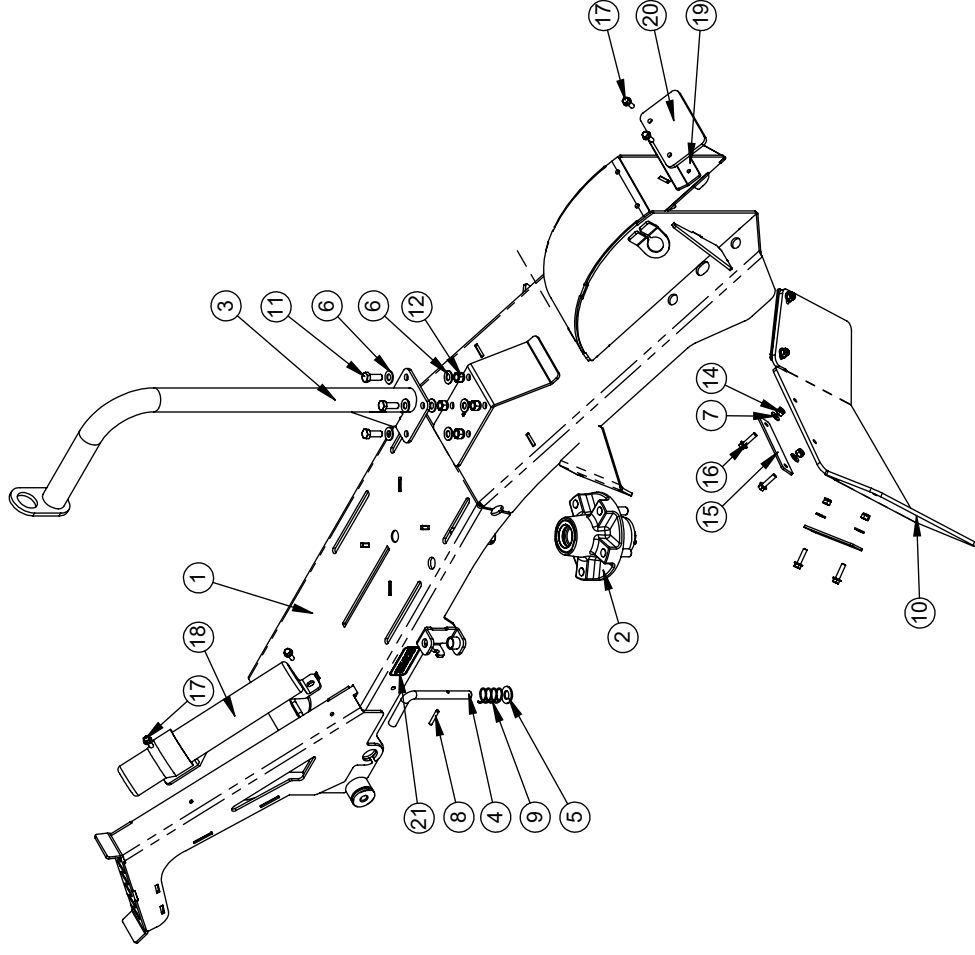
PRODUCT LINE:

SCALE: 1:24

SHEET 5 OF 7

DWG# 00753

ITEM NO.	PART NUMBER	DESCRIPTION	QTY.
1	14000	PIVOT GRINDER FRAME	1
2	03804	WHEEL HUB, 5 ON 4.5 BC	1
3	14022	LIFT EYE	1
4	14024	LOCK PIN	1
5	05102	WASHER, 1/2 SAE ZINC HARDENED	1
6	05101	WASHER, 3/8 SAE ZINC	8
7	05081	WASHER, 1/4 SAE ZINC	6
8	10290	ROLL PIN (SLOTTED SPRING), 3/16 X 1-1/8 ZINC	1
9	03352	SPRING, CENTURY 3385	1
10	14046	WHEEL FLAP	1
11	05059	HH CAP SCREW, 3/8-16 NC X 1 G5 ZINC	4
12	05073	NUT, NYLOCK, 3/8-16 NC ZINC	4
14	05096	NUT, NYLOCK, 1/4-20 NC ZINC	6
15	14053	FLAP BOLT PLATE	3
16	05368	WHIZ-LOCK 1/4 - 20 X 1	6
17	05049	WHIZ-LOCK 1/4 - 20 X 3/4	4
18	12090	INSTRUCTION CANISTER	1
19	14068	WHEEL FLAP PLATE	1
20	14069	CUTTER FLAP	1
21	14081	OPERATION DECAL	1



BARRETO

TITLE: FRAME ASSEMBLY

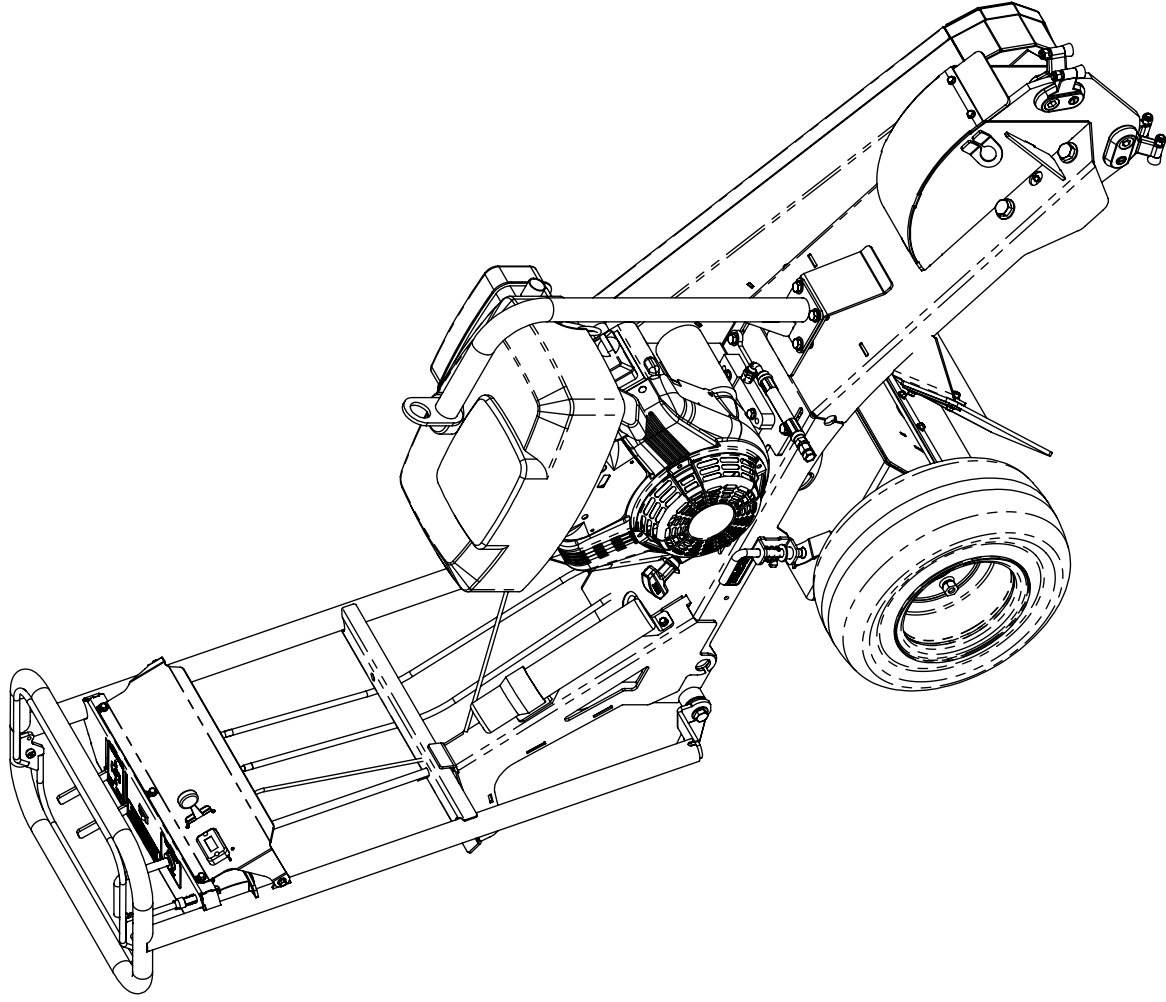
PRODUCT LINE:

SCALE: 1:12

SHEET 6 OF 7

DWG# 000754

RELEASE DATE	12/15/2016
REVISED DATE	NEW
REVISION #	0



TITLE: PIVOT STUMP GRINDER

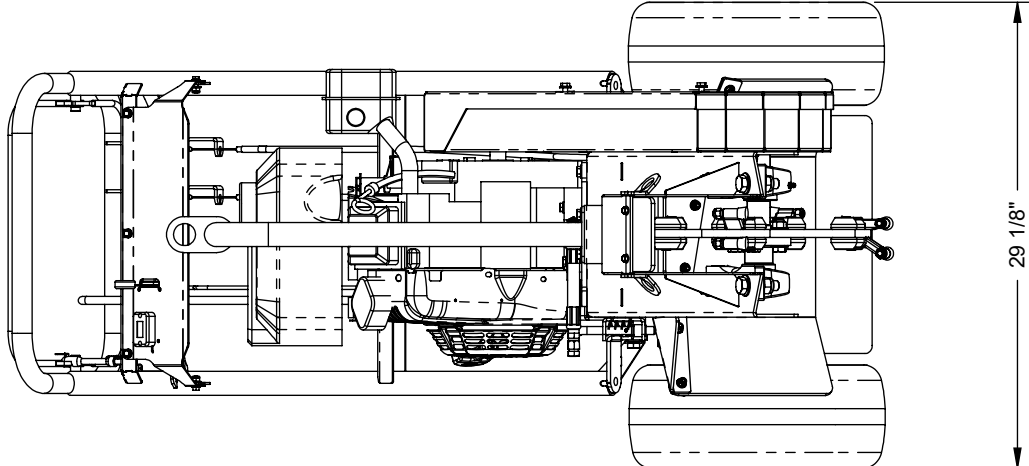
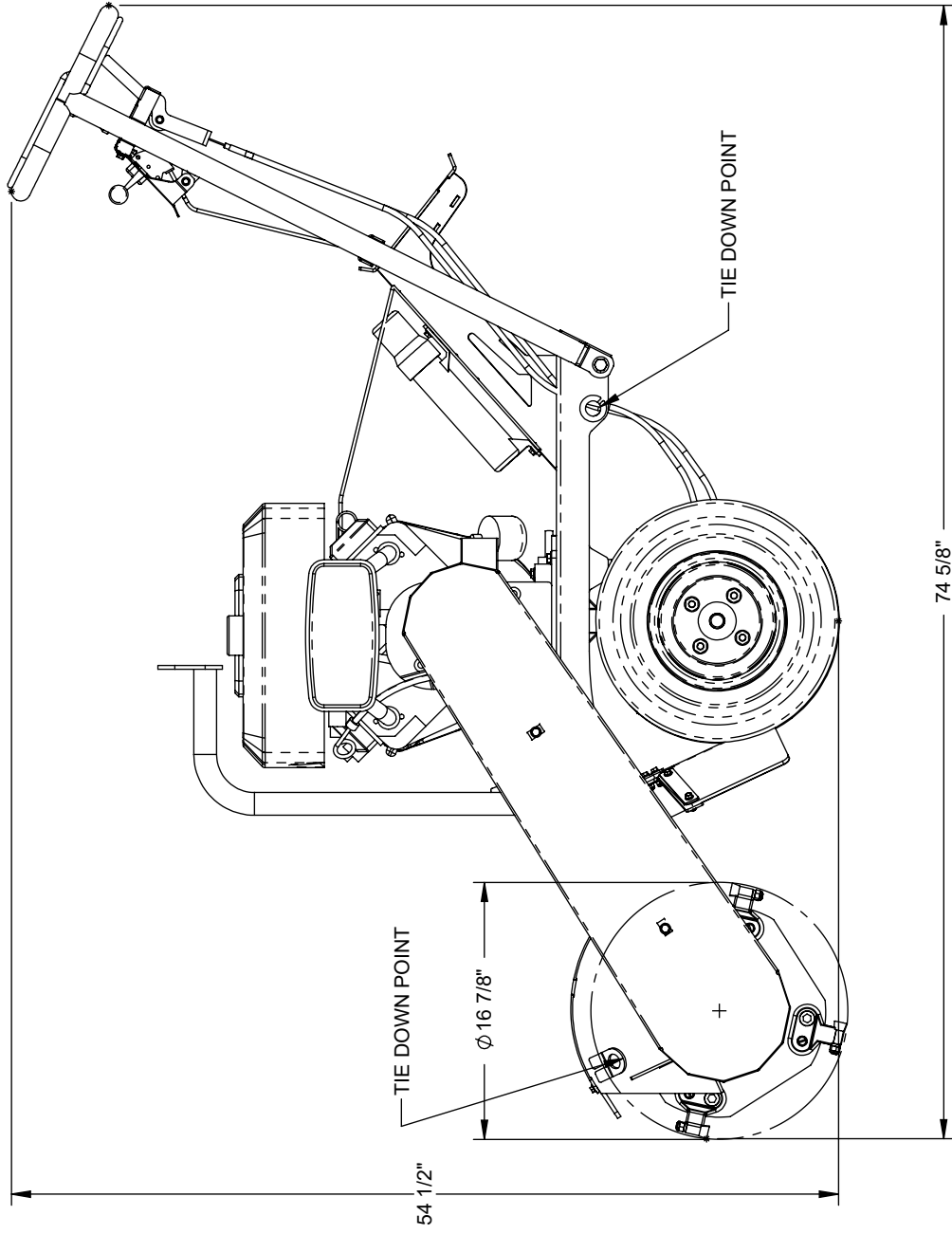
PRODUCT LINE:

SCALE: 1/24

SHEET 1 OF 14

DWG# E16SG

BARRETO



TITLE: PIVOT STUMP GRINDER

PRODUCT LINE:

SCALE: 1/24

SHEET 7 OF 7

DWG# E16SG

BARRETO

SMALL CUTTER WHEEL REPLACEMENT PARTS

<u>Part#</u>	<u>Description</u>				
12280	Cutter tooth, includes collar and nut, 700 series Wearsharp				
12280-K2	Set of 8 cutter teeth, 700 series Wearsharp				
12280-COMP2	Complete set of teeth, holders and bolts for the cutter wheel				
12281	Tooth holder, straight. 700 Wearsharp				
12281-K2	Tooth holder set of 8, includes 4 straight and 4 angled				
12282	Tooth holder, angled, 700 Wearsharp				
12283-ROO	Cutter bolt, 2", LP-200				
12283-ROO-K	Set of 8, 2" cutter bolts				
12284	Tooth collar, 700 series Wearsharp (included with tooth, 12280)				
05273	Tooth nut, 700 series Wearsharp (included with tooth, 12280)				

13/16SG stump grinder decals

P/N 03040-01



P/N 03040-03



P/N 03341-07



P/N 03040-11



P/N 03040-04



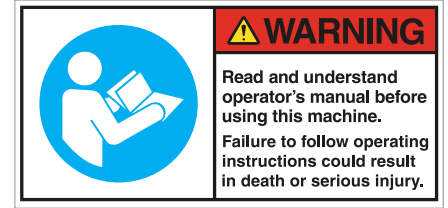
P/N 04440-02



P/N 04440-05



P/N 04451-09



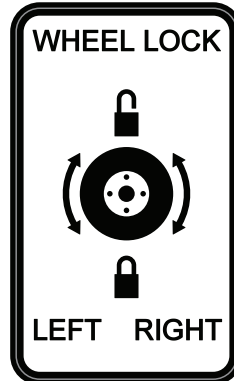
P/N 04451-symbols



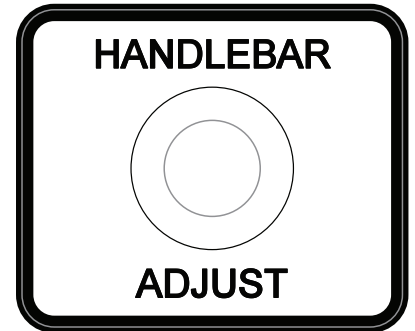
P/N 04440-12



P/N 14048



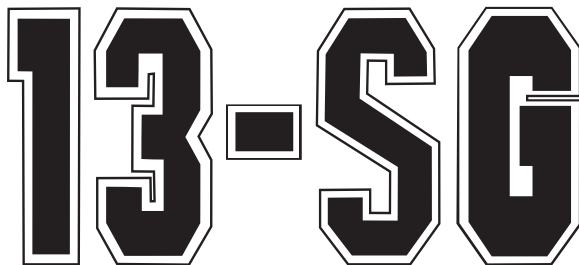
P/N 14049



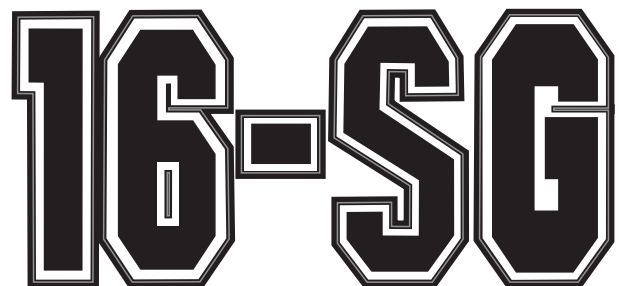
P/N 14050



P/N 14071



P/N 14052



ORDER PART# SGP-DECALS FOR THE COMPLETE SET.