

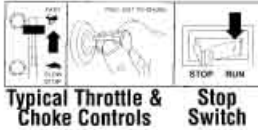


OPERATION

- 1) Familiarize yourself with the woodchipper and its controls.
- 2) Wear either safety glasses or helmet and visor combination, loose fitting gloves, and hearing protection. 
- 3) No foreign objects such as stones, steel, cans, glass, sweepings, wire, rope or nails should be fed into the chipper chute, as damage will occur.

- 4)  Open fuel shut-off valve, if engine is equipped. Move choke control to CHOKE or START position. Note: choke must fully close. Move throttle control to RUN or FAST position.

If engine is equipped with rocker style stop switch, push RUN or I (I = Ignition) before



starting. Rewind Starter. Grasp rope handle and pull slowly until resistance is felt to prevent kickback. Then pull cord rapidly to overcome compression and start engine. Repeat if necessary with choke off and throttle control in FAST position. Operate engine in FAST position.

- 5) Allow engine to reach maximum operating speed of 3000 rpm and operating temperature. Take the Engine Engagement Handle and slowly engage the engine onto the belts. Rapid engagement may stall the engine. Release handle when fully engaged.

- 6) When feeding branches into woodchipper, make sure to feed the large end of the branch first. Place the branches into the material intake hopper from the operator zone. Branches should not be forced into the intake hopper. If branches are extremely long it is recommended that they be cut into shorter lengths to achieve best results. Note: Side branches should be pruned off to avoid clogging the intake hopper.

Light/bushy/spongy material should not be forced into the chipping unit. The woodchipper should feed itself. If the machine does not self feed, the chipper knives may be dull or the anvil to blade setting may require adjustment.

Adjustable Material Deflection Chute

Make sure this is down and secure during transit

Material Intake Hopper

Material not to exceed 3" or 80mm

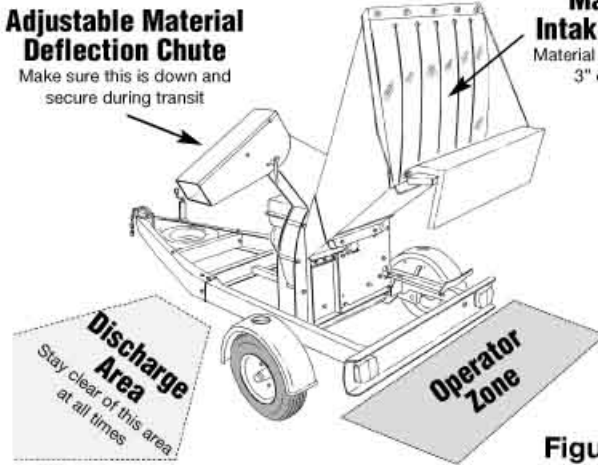



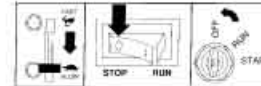





Figure 1

- 7)  **CAUTION:** If the woodchipper discharge clogs with material, stop the engine immediately, disengage the engine engagement handle, clear blockage, then restart engine.
-  **CAUTION:** If the chipping disc jams and the engine stalls, disengage the engine engagement handle. Make sure all obstructions are clear and the chipping disc spins freely. Restart engine.
- 8) When unit is in operation, approach chipper from the operator zone side. (See Figure 1) **KEEP CLEAR OF DISCHARGE AREA. Pay attention to discharge direction.**
- 9)  **The chipping disc will take several seconds to stop after engine has been turned off.**
WARNING: Do not go near the chipping disc for any reason during this period.
- 10) **Stop Engine:** Do not move choke control to CHOKE position to stop engine. Backfire or engine damage may occur. Move throttle control to SLOW position, then push rocker switch to O (STOP) or turn key to OFF, if equipped.



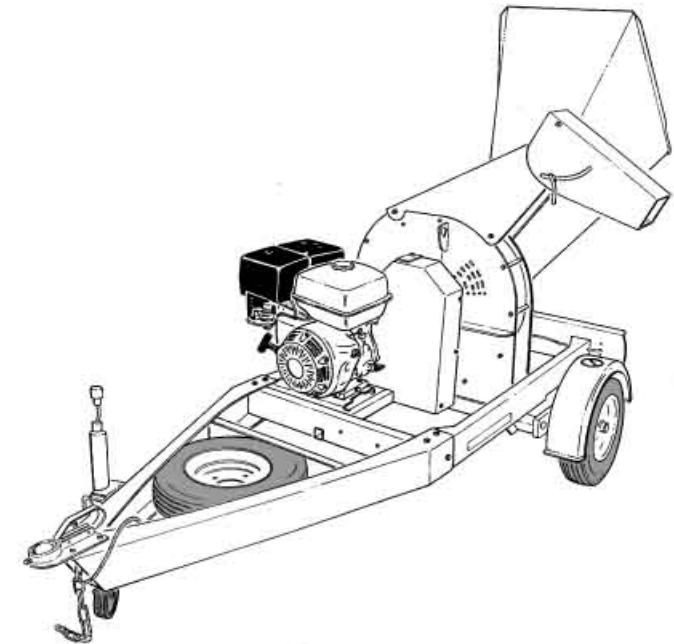
Typical Stop Switches

AFTER USE

- 1)  Turn fuel tap to "OFF" position.
- 2)  Allow machine to cool down.
- 3)  Clean with warm soapy water. Ensure no water enters the carburettor.



SAFETY PRECAUTIONS AND OPERATING INSTRUCTIONS




C80 WOODCHIPPER

 **REDROO.com**
Commercial Outdoor Power Equipment

SAFETY PRECAUTIONS FOR C80 USERS

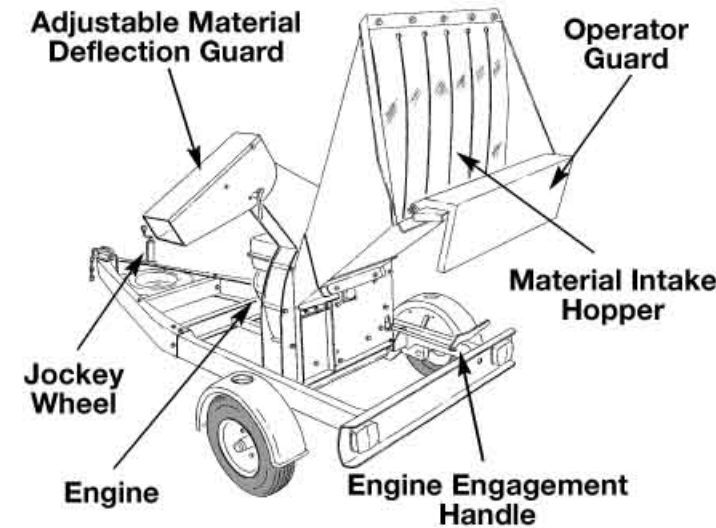
USE COMMON SENSE AND PLENTY OF IT

- 1)  **DO NOT** allow any person to operate the woodchipper without first reading and understanding the safety precautions and operating instructions. **KNOW THE CONTROLS AND HOW TO STOP THE WOODCHIPPER QUICKLY IN AN EMERGENCY.**
- 2) **NEVER** allow children or untrained adults to operate the woodchipper.
- 3) **ALWAYS** wear protective clothing when operating the woodchipper. This includes, but is not limited to; safety glasses, loose fitting gloves, steel capped boots and hearing protection. **NEVER** wear loose fitting clothing or jewellery when operating the woodchipper. Keep all clothing away from moving parts. Items could become caught in the machine, resulting in injury.   
- 4) **ALWAYS** use woodchipper in a well lighted area.
- 5) **ALWAYS** operate woodchipper on level ground only. Keep your work area clear and free of debris. Never attempt to move a woodchipper over uneven or hilly ground without a tow vehicle or adequate help.
- 6) **NEVER** operate the woodchipper when fatigued. **ALWAYS BE ALERT!** If you get tired while operating the woodchipper, take a break. If you have any type of physical or mental condition that may be aggravated by strenuous work, consult with your physician before you operate this equipment. **NEVER** operate the woodchipper under the influence of medication, alcohol or drugs.
- 7)  **DO NOT** allow other persons near the woodchipper. It is up to the operator to keep bystanders and animals a minimum of 6 metres (20ft) away from the machine while in operation.

- 8)  **ALWAYS KEEP YOUR HANDS, FEET AND BODY AWAY FROM THE MATERIAL INTAKE HOPPER AND DISCHARGE CHUTE WHEN THE MACHINE IS IN OPERATION OR THE CHIPPER DISC IS TURNING.**
- 9)  **NEVER** operate the unit without the safety guards in place and in working order. Keep the unit well maintained and in good working order
- 10) **DO NOT** leave the machine unattended while the engine is running.
- 11) **DO NOT** overspeed the engine or alter the governor settings. Excessive speed is dangerous and will shorten engine life.
- 12)  **NEVER** operate the woodchipper in an enclosed area. Engine exhaust contains carbon monoxide, an odourless and tasteless poison.
- 13)  **STOP** the engine and disconnect the spark plug lead(s) and allow engine to cool before inspecting or performing maintenance on the woodchipper.
- 14)  **REFUELLING**
 - * Shut off engine. **DO NOT REFUEL AN ENGINE WHILE OPERATING!**
 - * Allow engine to cool. Minimum 5 minutes.
 - * **USE UNLEADED FUEL ONLY. Use clean, fresh unleaded fuel.**
 - * **Do not mix oil with unleaded fuel.**
 - * Do not over-fill fuel tank. Allow space for fuel expansion.
 - * Do not smoke.
 - * Allow no naked flame or hot material in refuelling area.
 - * Use only approved fuel containers and funnels. Remember, fuel is a potential hazard.





STAY ALERT – DON'T GET HURT




OPERATING INSTRUCTIONS

TRANSPORT

- 1) **DO NOT** exceed 60kms per hour (45mph) when towing this product.  
- 2) **WARNING:** Make sure discharge chute is tightened, secure and in the down position before towing. (See Figure 1)

BEFORE USE

- 1)  **WARNING:** Before starting engine, inspect the material intake hopper and remove any foreign debris or branches. Perform a thorough visual inspection of the woodchipper and the chipper disc drive system.
- 2) Set discharge chute to desired direction and angle.