



BC26EU HYDRO-DRIVE Owner's Manual



BC2600EU Hydro Series Brush Cutter Owner's Manual

Beginning Serial #: 100515001

Original Instructions

IMPORTANT- READ CAREFULLY BEFORE USE AND KEEP FOR FUTURE REFERENCE



BC26EU HYDRO-DRIVE Owner's Manual

CONTENTS

| | |
|-------------------------------------|-------|
| SPECIFICATIONS | 3 |
| INSTRUCTION LABELS | 4 |
| ASSEMBLY INSTRUCTIONS | 5-6 |
| OPERATION | 7-8 |
| MAINTENANCE AND BATTERY MAINTENANCE | 9-12 |
| TROUBLESHOOTING | 13 |
| ILLUSTRATED PARTS LIST | 14-21 |

NOT FOR REPRODUCTION



BC26EU HYDRO-DRIVE Owner's Manual

BC2600EU SERIES SPECIFICATIONS

| | BC2600ICHEU | BC2600HHEU |
|-------------------------|---------------------|-------------------|
| Engine Type | Briggs and Stratton | Honda GXV390 |
| Model Number | 219972 0151 F1 | GXV390UT2 DABG |
| Displacement | 344 cc | 390 cc |
| Fuel Capacity | 3.0 qt (2.80 L) | 3.0 qt (2.80 L) |
| Oil Capacity | 1.5 qt (1.4L) | 1.2 qt (1.1L) |
| Unit Weight | 325 lb (147.4 kg) | 325 lb (147.4 kg) |
| Overall Length | 80 in (2.03 m) | |
| Overall Width | 31 in (0.78 m) | |
| Overall Height | 48 in (1.21 m) | |
| Maximum Operating Slope | 15° | 20° |

NOT FOR REPRODUCTION



BC26EU HYDRO-DRIVE Owner's Manual

INSTRUCTION LABELS

The labels shown below were installed on your BILLY GOAT® Euro Hydro-Drive Brush Cutter. If any labels are damaged or missing, replace them before operating this equipment. Item numbers from the Illustrated Parts List and part numbers are provided for convenience in ordering replacement labels. The correct position for each label may be determined by referring to the Figure and Item numbers shown.

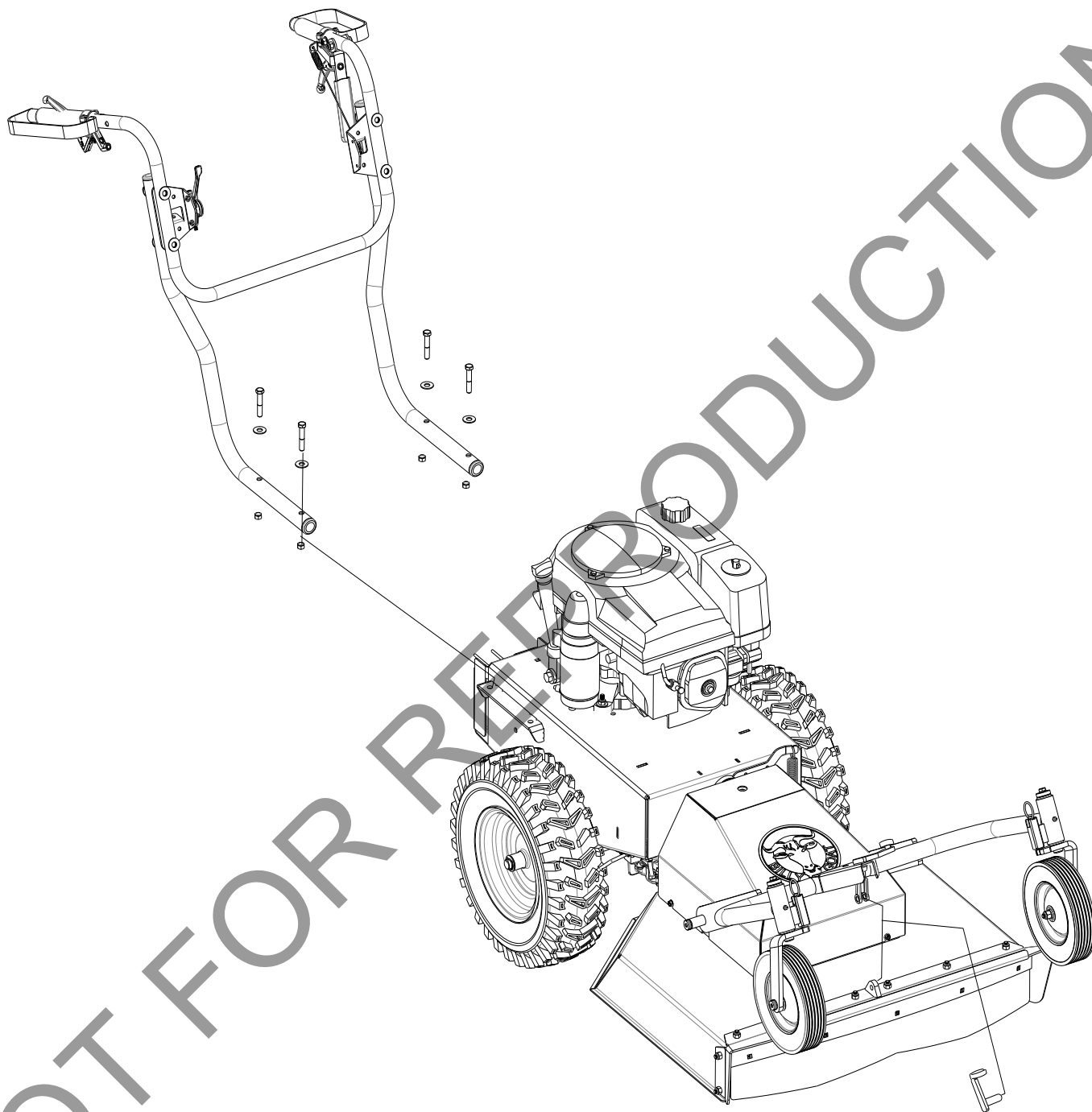
| | | | |
|---------------------------------|---------------------------------|--------------------------------|---------------------------------|
| | | | |
| <p>PN 100261 (Item 61)</p> | <p>PN 100346 (Item 134)</p> | <p>PN 501502 (Item 85)</p> | <p>PN 400424 (Item 5)</p> |
| | | | |
| <p>PN 810736 (Item 136)</p> | <p>PN 501512 (Item 165)</p> | <p>PN 900327 (Item 20)</p> | <p>PN 500177 (Item 135)</p> |
| | | | |
| <p>PN 501504 (Item 139)</p> | <p>PN 500168 (Item 140)</p> | <p>PN 100256 (Item 62)</p> | |
| | | | |

ENGINE LABELS

| | | |
|--------------|----------------------------|--|
| | | |
| <p>Honda</p> | <p>Briggs and Stratton</p> | |



BC26EU HYDRO-DRIVE Owner's Manual



Brush Cutter Assembly Drawing



BC26EU HYDRO-DRIVE Owner's Manual

PACKING CHECKLIST

Your BILLY GOAT® BCHydro-Drive Brush Cutter was shipped in one carton, completely assembled except for the upper handle assembly and the front caster bracket mount. Mounting hardware for the handle and caster bracket mount can be found in the parts bag. The throttle cable hardware is located on the bracket on the right side of the handle.

NOTE: A CB18, C50, SC50 or MCB50 series dry or wet battery with a 17.2 Ah rating is required when replacing the battery.



READ all safety instructions before assembling unit.

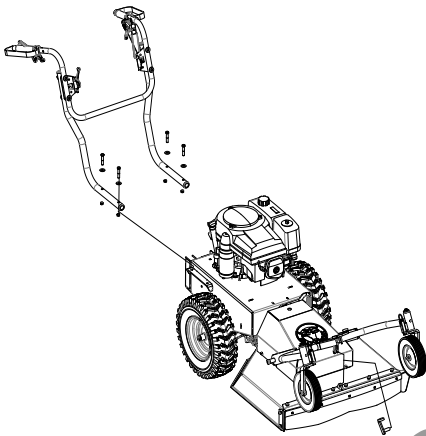


WARNING:

DISCONNECT spark plug wire before assembling unit.

PARTS BAG & LITERATURE ASSY

Warranty card P/N- 400972, Owner's Manual P/N-501606, General Safety and Warranty Manual P/N-100296, Declaration of conformity P/N-501506



Boxing Parts Checklist

- Owner's Manual 501606
- Upper Handle Assembly, P/N 501010, Electric model P/N 501009
- Ty-Wraps (4 ea)
- Screwcap 3/8" - 16 X 2" P/N 8041054 (qty 4)
- Washer 3/8" flat P/N 8171004 (qty 4)
- Nut Lock 3/8"-16 P/N 8160003 (qty 4)
- Nut lock #10-24 hex P/N 8164005 (qty 2)
- Screw machine flat HD Phil P/N 830514 (qty 2)
- Spring pin clevis P/N 501318 (qty 1)

Engine Manual Per Model

- Honda
- Briggs

ASSEMBLY

NOTE: Items in () can be referenced in the Parts Illustrations and Parts Lists on pages 14-21.

1. **REMOVE** unit from carton and check the contents of the parts bag with the list above.
2. **REMOVE** mounting hardware from the hardware bag.
3. **ATTACH** the handle to the engine base with the items 72, 73, and 48.
4. **TIGHTEN** mounting hardware on handle braces (items 5 and 6).
5. **ATTACH** the throttle (82) to the right hand bracket (item 70) using the hardware items 83 and 84. Tighten securely and make sure the cable isn't binding.
6. **ATTACH** the Blade drive cable to the lever and seat the plastic insert into the bracket on the left side of the handle.
7. **SECURE** the drive and blade cables with the ty-wraps provided.
8. **ATTACH** the caster bracket frame to the deck with the clip (item 164), make sure the clip section snaps completely around the neck of the yoke.
9. **RECONNECT** spark plug wire.

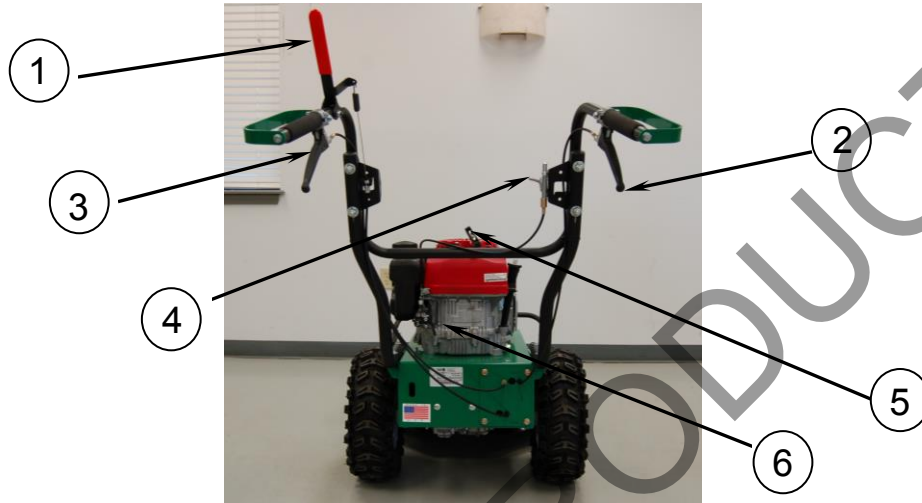


BC26EU HYDRO-DRIVE Owner's Manual

OPERATION

OPERATOR CONTROLS

The operator's station is at the rear of the machine between the handlebars. The operator should STAND in a position to allow both handlebars to be grasped firmly and which allows sufficient leverage to steer the machine. Operator's controls are shown below.



Operator Control Locations

- | | | | |
|---|--------------------|---|--------------|
| 1 | Blade Clutch Lever | 5 | Pull Starter |
| 2 | Forward Lever | 6 | Choke |
| 3 | Reverse Lever | | |
| 4 | Throttle | | |

STARTING ENGINE



CHECK engine oil level before operating machine.



WARNING: DO NOT START equipment with drive or blade clutch engaged.

1. Place equipment on a level, firm surface that is free of rocks or other debris.
2. Place throttle in "fast" position. (See Fig. 1)
3. Pull choke out (See Fig. 2 Honda engine only).
4. Units equipped with manual starters: Pull starter rope to start engine. **NOTE:** PULL STARTER CORD slowly until resistance is felt. Then pull cord rapidly to avoid kickback. (See Fig. 3)
5. Push choke in (Honda engine only).
6. Pull throttle control back to and allow engine to reach correct operating speed.

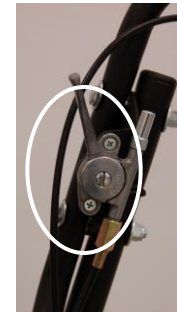


Fig. 1



Fig. 2



Fig. 3



BC26EU HYDRO-DRIVE Owner's Manual

CUTTING OPERATION

1. Press blade clutch handle down (See Fig. 4) to engage blade. Allow blade to spin up to normal operating speed.
2. Pull Forward (See Fig. 5) or Reverse Drive lever (See Fig. 6) up to engage transaxle in desired direction.

DECK HEIGHT ADJUSTMENT

1. To raise and lower the cutting height on the deck, pull the knob upwards and rotate the handle clockwise to raise the cutting height and counter-clockwise to lower the cutting height. **DO NOT ADJUST HEIGHT WITH THE BLADE RUNNING**

CLEARING A CLOGGED DECK

 **WARNING:** **DISCONNECT** spark plug wire before servicing unit.

1. Shut engine off and wait for blade to stop completely.
2. Disconnect spark plug wire.
3. Remove clog from cutting deck.

  **WEAR** durable gloves. Clog may contain sharp materials.

4. Reconnect spark plug wire.

SHUT DOWN

1. Release drive lever (Fig. 5/6) to disengage transaxle.
2. Release blade clutch handle (Fig. 4) to disengage blade.
3. Move the throttle to the slowest possible position on the throttle control.

NEUTRAL/FREEWHEEL

1. Identify the freewheel lever located in front of the right front wheel when viewing from operator's station.
2. Pull lever to initiate freewheel motion.
3. Push lever in to initiate driver enabled motion.

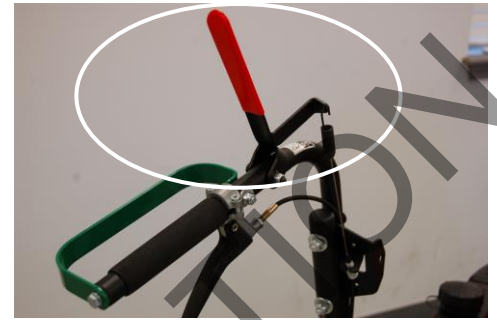


Fig. 4 Left Handle

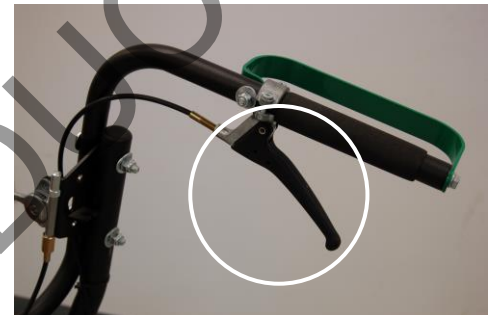


Fig. 5 Right Handle



Fig. 6 Left Handle



Fig. 8 Freewheel Lever

*****TIPS*****

The best performance is achieved when cutting in dry conditions. The quality of the cut is directly related to ground speed during cutting. Under most conditions cutting should be done at a slower ground speed. Fast speeds should be reserved for conditions where weeds and brush are thinned out or not very tall. If the quality of the cut is not satisfactory, attempt at slower speeds.



BC26EU HYDRO-DRIVE Owner's Manual

MAINTENANCE

PERIODIC MAINTENANCE

Periodic maintenance should be performed at the following intervals:

| Maintenance Operation | Every Use | Daily or Every 5 Hours | Every 25 Hours | Every 50 Hours | Every 100-150 Hours |
|--|-----------|------------------------|----------------|----------------|---------------------|
| Inspect for worn or damaged parts | • | | | | |
| Check for excessive vibration | | • | | | |
| Inspect for loose parts | | • | | | |
| Sharpen blade. Note: nut will need to be replaced when blade is removed | | | • | | |
| Inspect belts for wear | | | • | | |
| Lubricate throttle control cable and linkage | | | • | | |
| Check blade clutch cable tension | | | | • | |
| Inspect battery for corrosion, damage or leaks (electric start units only) | | | | • | |
| Apply anti-seize compound to rear axles | | | | • | |
| Check battery strap for excessive wear or rips | • | | | | |
| Replace blade drive and transaxle drive belts | | | | | • |

If transmission is topped off or refilled, SAE 10w30 grade, non-detergent oil should be poured through the port covered by the black cap. Approx. 2.2 liters of oil will be needed to reach this level. This is dependent on the amount of residual oil remaining in case after draining. Draining of old oil must be done through the same port (covered with the black plug) by inverting transaxle.

COMMON REPLACEMENT PARTS

- Blade. P/N 501221. Original equipment replacement blade.
- Transaxle Drive Belt. P/N 501268. Original equipment replacement drive belt.
- Blade Drive Belt. P/N 501220. Original equipment replacement drive belt.
- Throttle Control Assembly. Throttle control including cable.

CLEANING

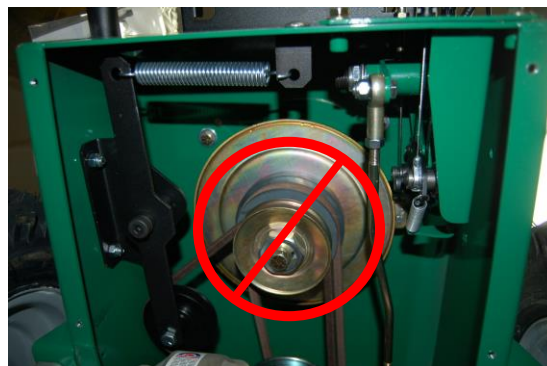
Your BILLY GOAT® Brush Cutter should be cleaned periodically to ensure optimum performance and service life. Clogs and debris should be removed from the blade area and debris should be removed from the engine cooling fins. A garden hose or pressure washer may be used for cleaning.



CAUTION:



DO NOT SPRAY WATER DIRECTLY ON THE BLADE CLUTCH WHEN USING A POWER WASHER. SEE FIG 7.





BC26EU HYDRO-DRIVE Owner's Manual

NOTE: Items in () can be referenced in the Parts Illustrations and Parts Lists on pages 14-21.

BLADE SHARPENING AND REMOVAL



READ all safety instructions before servicing unit.



WARNING: **DISCONNECT** spark plug wire before servicing unit.

1. Disconnect spark plug wire.
2. Lift and support front of unit to allow access to underside.



WARNING: **UNIT IS HEAVY.** Make sure support is adequate to support weight of machine.

3. Block blade to prevent it from rotating during removal.
4. Remove blade bolt (item 23), and friction washer (item 39).
5. Remove blade (item 2) and install replacement blade. *NOTE:* When sharpening blade make sure to sharpen all cutting edges. If the lock nut is removed and replaced more than once, it should be replaced with a new lock nut (P/N 8160009). When replacing the blade use BILLY GOAT Industries PN 501224 only.
6. Attach new blade with new blade bolt (item 23), and new friction washer (item 39) removed earlier included with your new blade. *NOTE:* Inspect fasteners for wear and replace if necessary.
7. Torque blade bolt to 40 ft-lbs.
8. Reconnect spark plug wire.

BLADE DRIVE BELT TENSION

NOTE: The Blade Drive belt is under constant tension by the idler arm on the deck.



WARNING: **DISCONNECT** spark plug wire before servicing unit.

1. Disconnect spark plug wire.
2. Loosen four screws (item 27) holding belt deck cover (item 29) and remove the cover.
3. Examine condition of belt and amount of tension on belt.
4. If the idler is not providing enough tension inspect the spring (item 50) attaching it to the spindle base. If not enough tension is being put on the arm, replace the spring.
5. Replace engine base door (item 29) and secure with screws removed earlier.
6. Reconnect spark plug wire.
7. Check belt tension by operating unit under conditions that caused belt slippage. If belt continues to slip it may require replacement before operation may continue.

BLADE CLUTCH ADJUSTMENT



WARNING: **DISCONNECT** spark plug wire before servicing unit.

1. Disconnect spark plug wire.
2. As the clutch/brake wears or begins slipping or squealing, adjustment may be required to maintain proper cable tension and clutch engagement. A properly adjusted blade clutch should require 10 lbs. of force to depress the end of the clutch lever. The blade clutch cable spring should stretch 1/4" to 3/8" (6.4-9.5 mm).
3. Adjust cable tension by tightening or loosening cable adjustment nut on rear of engine base (see Fig. 8). Be sure to leave enough slack in cable to allow blade brake to engage.
4. Reconnect spark plug wire.

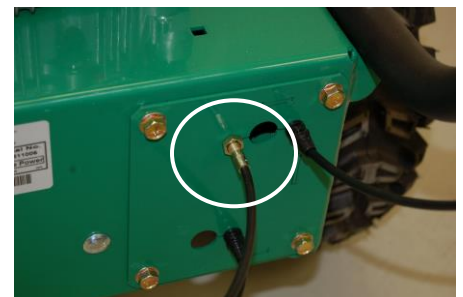


Fig. 8



CAUTION: If clutch continues to slip or squeal, do not operate equipment until adequate adjustment or repair has been performed. Improper adjustment can cause clutch to overheat and slip, greatly reducing performance and clutch life.



BC26EU HYDRO-DRIVE Owner's Manual

NOTE: See Fig 11 for proper belt routing.

TRANSAXLE DRIVE BELT REMOVAL AND REPLACEMENT

WARNING: DISCONNECT spark plug wire before servicing unit.

1. Disconnect spark plug wire.
2. Lift and support the rear of the unit to allow access to the underside.
3. Unattach the spring (item 50) from the bracket (item 98) that is keeping tension on the drive belt. (See Fig. 9)
4. Walk the belt (item 121) off of the clutch (item 54) by slowly pulling the engine over. **WARNING:** use caution not to pinch fingers between the belt and clutch.
5. Slip the belt off of the transaxle pulley.
6. Replace the belt in reverse order. NOTE: make sure the belt is seated properly in the clutch and transaxle and make sure that it does not bend over the fan blades on the transaxle.

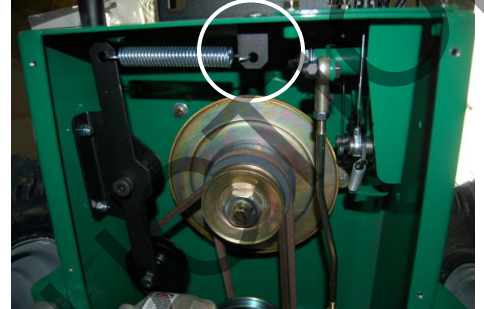


Fig. 9

BLADE DRIVE BELT REMOVAL AND REPLACEMENT

WARNING: DISCONNECT spark plug wire before servicing unit.

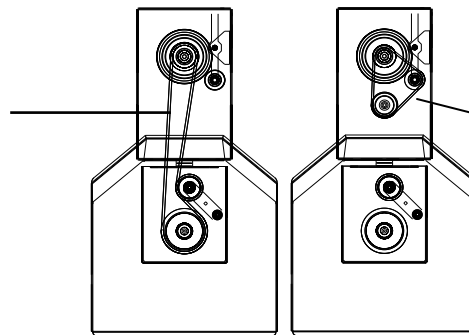
1. Disconnect spark plug wire.
2. Lift and support rear of unit to allow access to underside.
3. Loosen the four screws (item 27) holding deck belt cover (item 29) and remove cover.
4. Follow the steps 3 and 4 in the Transaxle drive belt removal section to remove the Transaxle drive belt. NOTE: It may be necessary to pry idler pulley (item 35) away from its original position to release belt, using a ratchet with an extension in the square hole on the idler arm should allow the proper leverage to pull it off the belt. (See Fig. 10)
5. Relieve the tension on the blade belt by pulling the deck idler arm off of the belt. Then walk the belt off of the deck pulley.
6. Feed the belt back to the engine base then slip the belt off of the clutch.
7. Install the new belt in reverse order making sure the belt is seated properly in the clutch.
8. Reconnect spark plug wire.

WARNING: UNIT IS HEAVY. Make sure support is adequate to support weight of machine.



Fig. 10

Blade Drive Belt (with Transaxle Belt not Shown)



LOOKING THROUGH TOP
Transaxle Drive Belt
(Seated below drive belt on
clutch)

Belt Routing Diagram
(Top View of Machine)

Fig. 11



TRANSAXLE DRIVE ADJUSTMENT

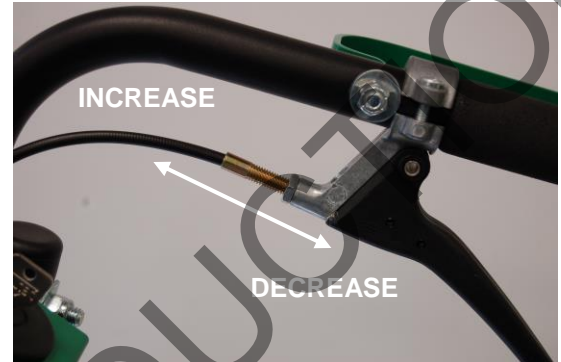


WARNING: DISCONNECT spark plug wire before servicing unit.

1. Disconnect spark plug wire.
2. Adjustments to cable tension are made at the barrel entering the Drive Control Levers.
3. Adjust cable tension by tightening or loosening cable adjustment barrel on rear of engine base (see below).

NOTE: Moving the cable adjustment barrel OUT increases tension. Moving the barrel IN decreases tension. Increasing the tension too much will cause the drive to stay engaged whereas not enough will cause it not to engage when the lever is pulled.

4. Reconnect spark plug wire.



NOT FOR REPRODUCTION



BC26EU HYDRO-DRIVE Owner's Manual

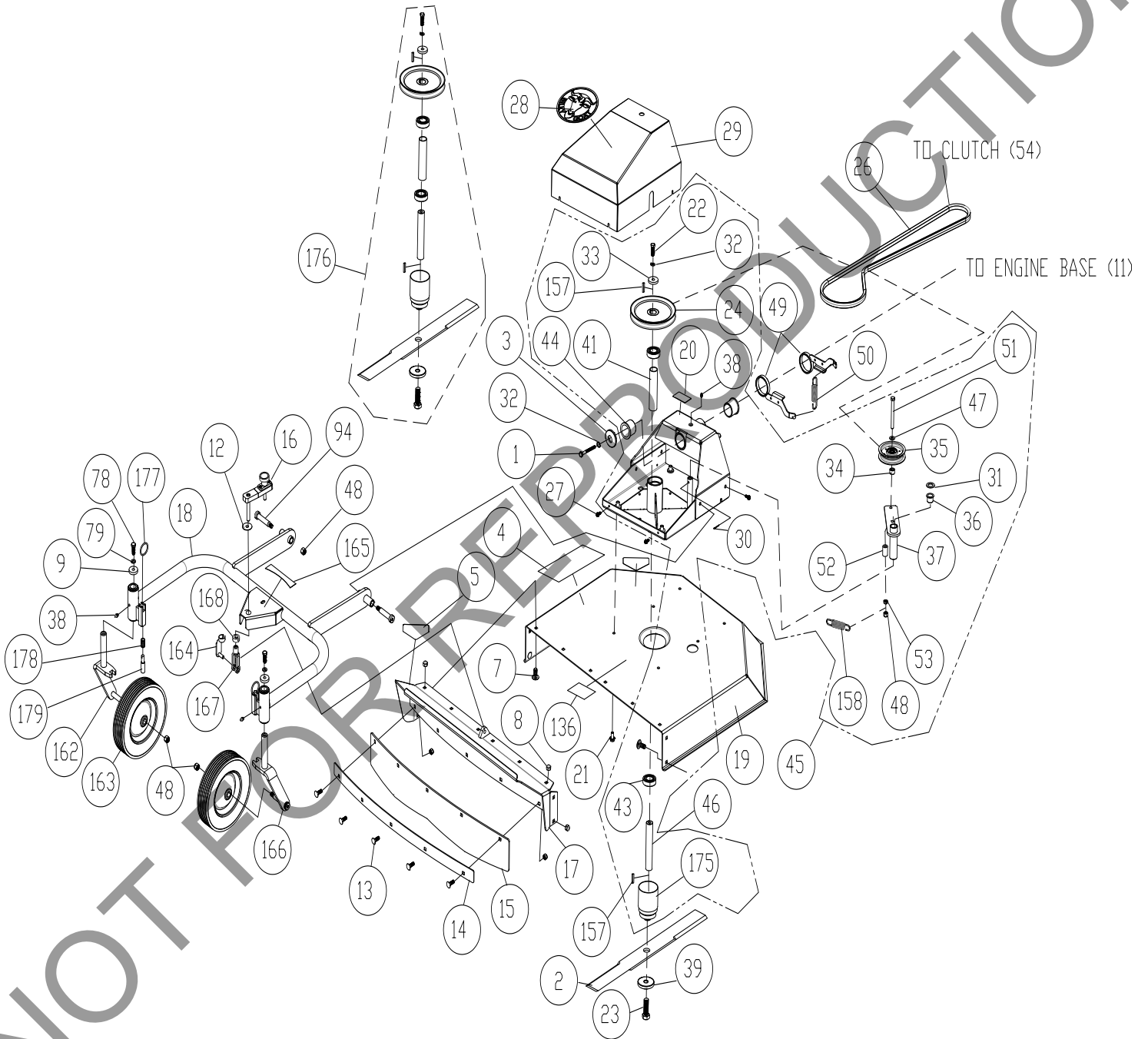
TROUBLESHOOTING

| Problem | Possible Cause | Corrective Action |
|---|---|---|
| Engine will not start | Throttle is set to Slow/Stop position. | Move throttle to fast position. |
| | Out of gasoline. | Fill gas tank. |
| | Old or contaminated gasoline. | Drain gas tank and fill with fresh gasoline. |
| | Spark plug wire disconnected. | Connect spark plug wire. |
| | Dirty air cleaner. | Clean or replace air cleaner. |
| Will not cut or cutting performance is poor | Blade drive cable tension incorrect. | Adjust blade drive cable tension. |
| | Dull blade. | Sharpen or replace blade. Note: nut will need to be replaced when blade is removed. |
| | Clogged deck. | Unclog deck. |
| | Excessive debris built up on or blocking blade. | Clear debris from blade area. |
| | Engine RPM set too low. | Check engine RPM. |
| Abnormal vibrations | Blade loose or out of balance. | Check blade for tightness. Rebalance if necessary. |
| | Engine loose. | Check engine mounting bolts. |
| | Blade drive belt worn. | Replace blade drive belt. |
| Belt slips or smokes | Belt tension too low. | Adjust belt tension. |
| | Belt worn or stretched. | Replace belt. |
| | Pulleys worn or damaged. | Replace pulleys. |
| Clutch slips or squeals | Clutch cable tension too low. | Replace spring on idler arm. |
| | Clutch worn or damaged. | Replace worn or defective clutch assembly parts. |
| Blade brake will not engage | Inadequate slack in clutch cable. | Adjust clutch cable. |
| | Clutch worn or damaged. | Replace clutch/brake assembly. |
| Transaxle will not engage | Clutch lever not engaging clutch. | Adjust clutch cable. |
| | Clutch cable defective. | Replace cable. |
| | Belt worn or broken. | Replace belt. |
| Transaxle will not disengage | Clutch cable out of adjustment. | Adjust clutch cable. |
| Engine will not turn over | Defective blade clutch. | Replace clutch. |
| | Engine problem. | Contact an authorized servicing dealer for your engine. |



BC26EU HYDRO-DRIVE Owner's Manual

BC26EU HYDRO-DRIVE DECK PARTS DRAWING





BC26EU HYDRO-DRIVE Owner's Manual

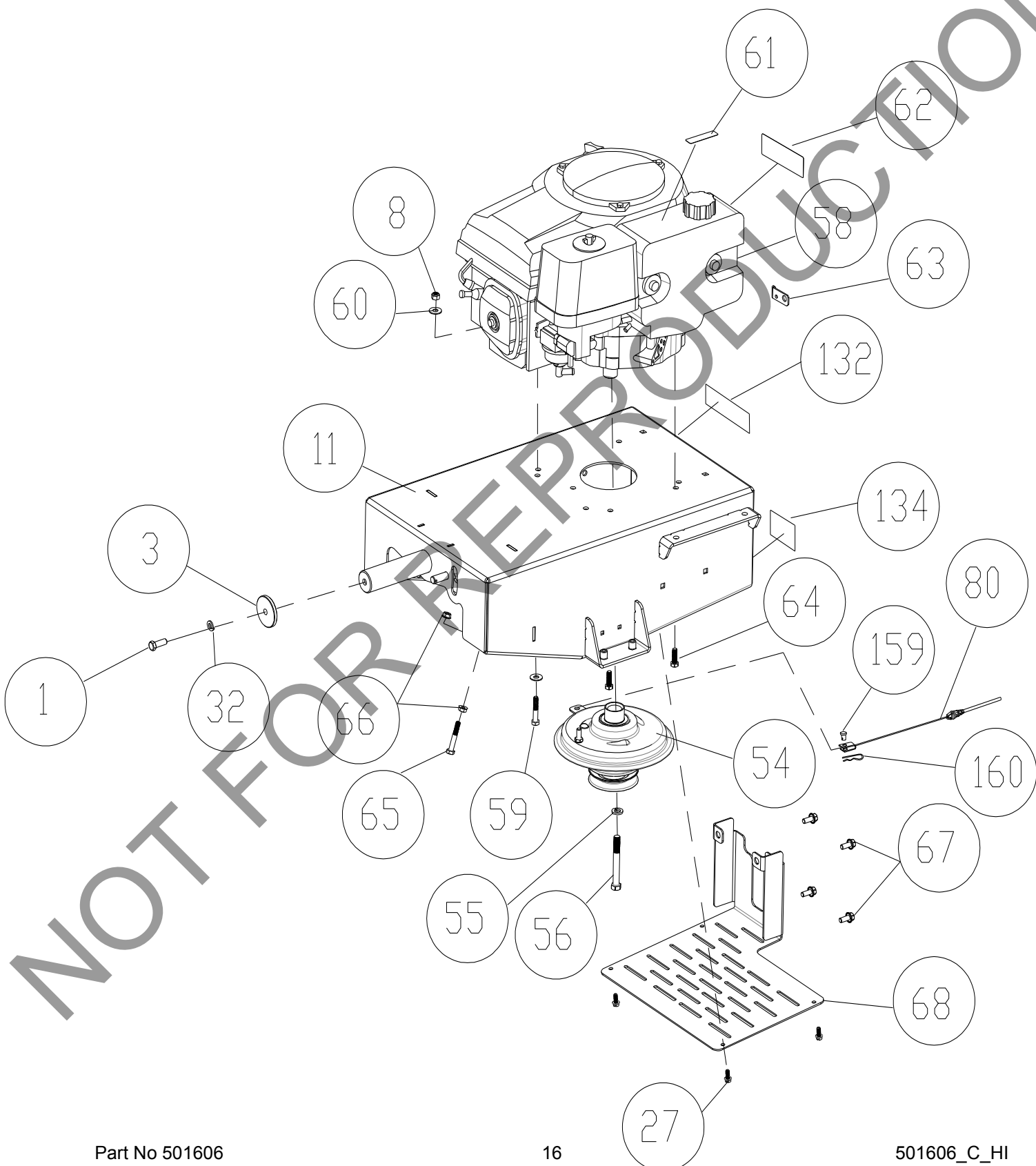
BC26EU HYDRO-DRIVE DECK PARTS LIST

| ITEM NO | DESCRIPTION | BC2600HHEU | | BC2600ICHEU | |
|---------|---|------------|-----|-------------|-----|
| | | Part No | QTY | Part No | QTY |
| 1 | SCREWCAP 3/8-24 X 1" HCS GR. 8 | 900154 | 1 | 900154 | 1 |
| 2 | BLADE 26" FLAT BC26 | 501224 | 1 | 501224 | 1 |
| 3 | WASHER DECK RETAINNG | 501214 | 1 | 501214 | 1 |
| 4 | LABEL BADGING BC26 HYDRO | 501500 | 1 | 501500 | 1 |
| 5 | LABEL DANGER | 400424 | 4 | 400424 | 4 |
| 7 | BOLT CARRIAGE 5/16"-18 X 3/4" ZP | 8024039 | 6 | 8024039 | 6 |
| 8 | NUT LOCK 5/16-18 ZP | 8160002 | 15 | 8160002 | 15 |
| 9 | WASHER 1.125" OD X 0.344" ID X .25" THK | 441150 | 2 | 441150 | 2 |
| 12 | BUSHING FLANGED 1.250" X 0.380" ID | 501316 | 1 | 510376 | 1 |
| 13 | CARRIAGE BOLT 5/16"-18 X 1" | 8024040 | 5 | 8024040 | 5 |
| 14 | PLATE FRONT DEFLECTOR | 501319 | 1 | 501319 | 1 |
| 15 | RUBBER DEFLECTOR FRONT | 501320 | 1 | 501320 | 1 |
| 16 | HEIGHT ADJUST HANDLE ASSY | 501124 | 1 | 501124 | 1 |
| 17 | DECK INTAKE WA EURO BC26 | 501123 | 1 | 501123 | 1 |
| 18 | CASTER FRAME WA | 501125 | 1 | 501125 | 1 |
| 19 | DECK BC26EU WA W/LABELS | 501121-S | 1 | 501121-S | 1 |
| 20 | LABEL DANGER GUARD | 900327 | 1 | 900327 | 1 |
| 21 | SCREW SER HEX WASHER FLNG | 791080 | 6 | 791080 | 6 |
| 22 | SCREWCAP 3/8"-16 X 1 1/4" HCS ZP | 8041051 | 1 | 8041051 | 1 |
| 23 | SCREWCAP 9/16"-18 X 1 3/4" GR 8 | 501345 | 1 | 501345 | 1 |
| 24 | PULLEY 7" OD X 1.000 BORE | 501308 | 1 | 501308 | 1 |
| 26 | BELT 6972 POWERATED | 501220 | 1 | 501220 | 1 |
| 27 | SCREW SELT TAP 1/4-20 X 5/8" HWH TYPE F | 890359 | 4 | 890359 | 4 |
| 28 | LABEL PRODUCT DECAL LG CIRCLE | 430303 | 1 | 430303 | 1 |
| 29 | COVER BELT DECK WA BC26 W/LABEL | 501602 | 1 | 501602 | 1 |
| 30 | PIN COTTER 1/8" X 1" | 8197031 | 1 | 8197031 | 1 |
| 31 | WASHER .765 ID X 1.25 OD X .06 THK | 850238 | 1 | 850238 | 1 |
| 32 | WASHER LOCK 3/8 S/T MED | 8177012 | 1 | 8177012 | 1 |
| 33 | WASHER 1.5 OD X .453 ID X .25 THK | 440153 | 1 | 440153 | 1 |
| 34 | TUBE PIVOT IDLER VQ | 830526 | 1 | 830526 | 1 |
| 35 | PULLEY IDLER 4.00 OD X 3/8" BORE | 500113 | 1 | 500113 | 1 |
| 36 | BUSHING PIVOT FRAME AE | 360183 | 1 | 360183 | 1 |
| 37 | ARM IDLER DECK WA BC | 501103 | 1 | 501103 | 1 |
| 38 | ZERK FITTING GREASE | 610363 | 3 | 610363 | 3 |
| 39 | WASHER BLADE BC26 | 501346 | 1 | 501346 | 1 |
| 41 | SPACER SPINDLE BEARING BC26 | 501245 | 1 | 501245 | 1 |
| 43 | BEARING BALL 1641 - 2RS-PRX | 501302 | 2 | 501302 | 2 |
| 44 | BUSHING 1.500 ID X 1.5 LONG FLANGED | 501217 | 2 | 501217 | 2 |
| 45 | BRACKET DECK MOUNT WA BC26 W/LABEL | 501604 | 1 | 501604 | 1 |
| 46 | SHAFT BLADE BC26 | 501341 | 1 | 501341 | 1 |
| 47 | WASHER 3/8" SAE | 8172009 | 1 | 8172009 | 1 |
| 48 | NUT LOCK 3/8-16 HEX | 8160003 | 4 | 8160003 | 4 |
| 49 | ARM RTN WA BC26 | 501116 | 2 | 501116 | 2 |
| 50 | SPRING LIFT ASSIST TENSION | 351254 | 2 | 351254 | 2 |
| 51 | SCREWCAP 3/8"-16 X 3 3/4" HCS ZP | 8041061 | 1 | 8041061 | 1 |
| 52 | BUSHING PIVOT LIFT | 360138 | 1 | 360138 | 1 |
| 53 | NUT LOCK 3/8"-16 LT WT TH ZP | 8161042 | 1 | 8161042 | 1 |
| 78 | SCREWCAP 5/16"-18 X 1" GR 5 HCS ZP | 8041028 | 2 | 8041028 | 2 |
| 79 | WASHER LOCK 5/16" S/T MED | 8177011 | 2 | 8177011 | 2 |
| 94 | BOLT SHOULDER 1/2" X 2" | 520031 | 2 | 520031 | 2 |
| 136 | LABEL WARNING FLYING DEBRIS | 810736 | 1 | 810736 | 1 |
| 157 | KEY 1/4 SQ. X 0.75" | 9201109 | 2 | 9201109 | 2 |
| 158 | SPRING IDLER BC | 501261 | 1 | 501261 | 1 |
| 162 | CASTER RIGHT SIDE WA | 501126 | 2 | 501126 | 2 |
| 163 | TIRE WHEEL ASSY | 501333 | 2 | 501333 | 2 |
| 164 | SPRING PIN CLEVIS | 501318 | 1 | 501318 | 1 |
| 165 | LABEL HEIGHT ADJUST EURO BC26 | 501512 | 1 | 501505 | 1 |
| 166 | CASTER LEFT SIDE WA | 501127 | 1 | 501127 | 1 |
| 167 | YOKE FEMALE STEEL 3/8"-24 RH X 2.50 | 501317 | 1 | 501317 | 1 |
| 168 | NUT LOCK 3/8"-24 ZP THIN HT | 8161022 | 1 | 8161022 | 1 |
| 175 | ADAPTER BLADE WA BC26 | 501343 | 1 | 501343 | 1 |



BC26EU HYDRO-DRIVE Owner's Manual

BC26EU HYDRO-DRIVE ENGINE PARTS DRAWING





BC26EU HYDRO-DRIVE Owner's Manual

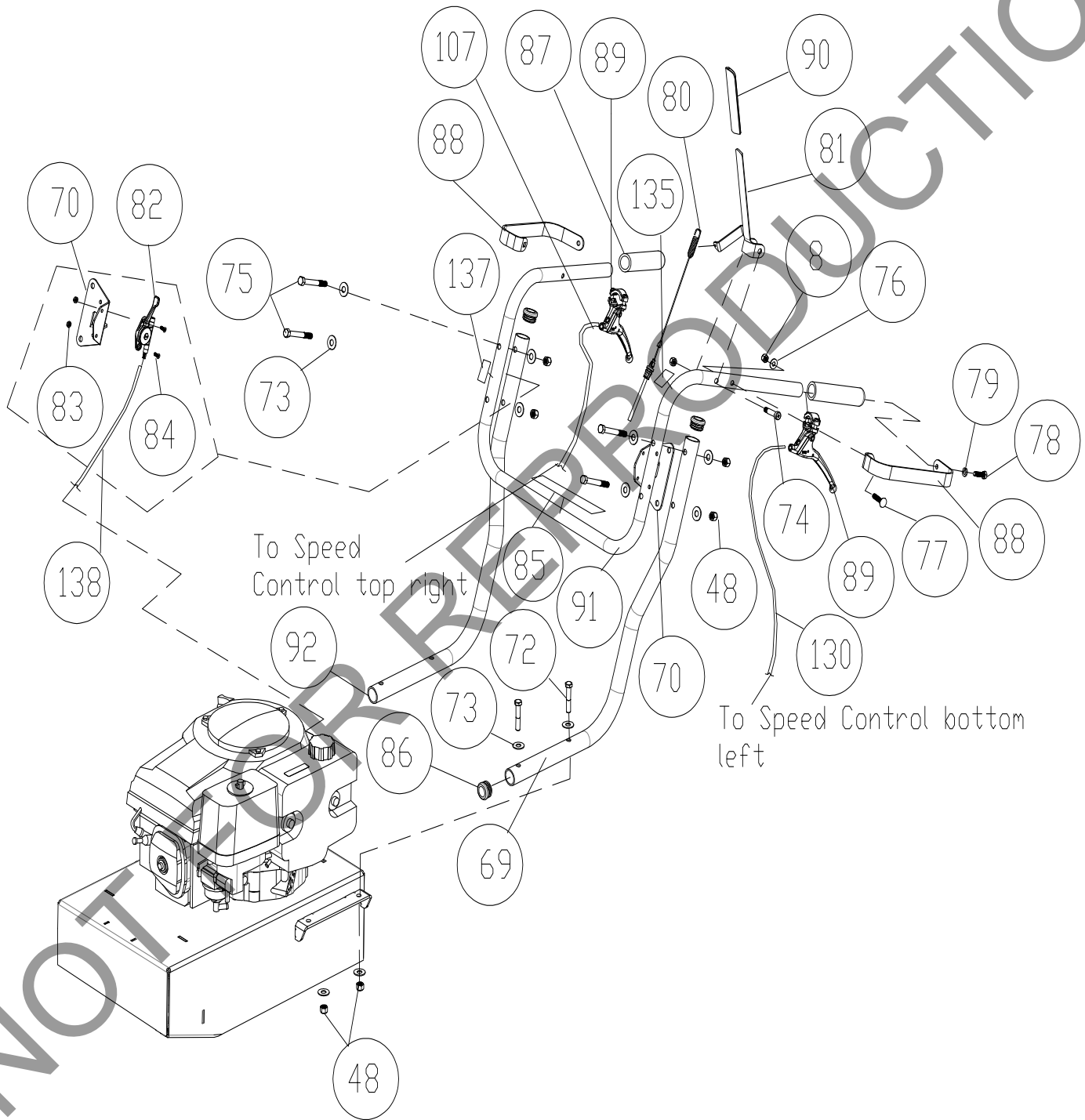
BC26EU HYDRO-DRIVE ENGINE PARTS LIST

| ITEM NO | DESCRIPTION | BC2600HHEU | | BC2600ICHEU | |
|---------|---|------------|-----|-------------|-----|
| | | Part No | QTY | Part No | QTY |
| 1 | SCREWCAP 3/8-24 X 1" HCS GR. 8 | 900154 | 1 | 900154 | 1 |
| 3 | WASHER DECK RETAINING | 501214 | 1 | 501214 | 1 |
| 8 | NUT LOCK 5/16"-18 ZP | 8160002 | 2 | 8160002 | 2 |
| 11 | ENGINE BASE WA W/LABELS | 501603 | 1 | 501603 | 1 |
| 27 | SCREW SELT TAP 1/4-20 X 5/8" HWH TYPE F | 890359 | 4 | 890359 | 4 |
| 32 | WASHER LOCK 3/8" S/T MED | 8177012 | 1 | 8177012 | 1 |
| 54 | CLUTCH | 501223-S | 1 | 501223-S | 1 |
| 55 | WASHER LOCK S/T MED | 8177013 | 1 | 8177013 | 1 |
| 56 | SCREWCAP 7/16"-20 X 3 1/2" GR 8 W/PATCH | 440150 | 1 | 440150 | 1 |
| 58 | ENGINE HONDA ELEC START | - | - | - | - |
| | ENGINE BRIGGS | - | - | 520046 | 1 |
| | ENGINE HONDA | 500334 | 1 | - | - |
| 59 | SCREWCAP 5/16"-18 X 1 3/4 HCS ZP | 8041031 | 2 | 8041031 | 2 |
| 60 | WASHER 5/16" FLAT | 8171003 | 4 | 8171003 | 4 |
| 61 | LABEL WARNING FUEL | 100261 | 1 | 100261 | 1 |
| 62 | LABEL SPARK ARRESTOR | 100256 | 1 | 100256 | 1 |
| 63 | PLATE CHOKE BC26 | 500325 | 1 | - | - |
| 64 | SCREWCAP 5/16-24 X 1" GR 8 ZP W/PATCH | 400164 | 2 | 400164 | 2 |
| 65 | SCREWCAP 5/16"-18 X 2" HCS ZP | 8041032 | 2 | 8041032 | 2 |
| 66 | NUT FLANGE 5/16"-18 ZP | 350346 | 4 | 350346 | 4 |
| 67 | SCREW SER HEX WSHR FLNG 5/16-18 X 3/4" | 351264 | 4 | 351264 | 4 |
| 68 | GUARD REAR HYDRO BC26 | 501295 | 1 | 501295 | 1 |
| 80 | CABLE CLUTCH | 501279 | 1 | 501279 | 1 |
| 132 | LABEL MADE IN USA | 520116 | 1 | 520116 | 1 |
| 134 | LABEL SAFETY PROTECT READ MANUAL | 100346 | 1 | 100346 | 1 |
| 159 | PIN CLEVIS 0.25 X 0.050 | 440124 | 1 | 440124 | 1 |
| 160 | PIN HITCH CLIP 0.051 X 3/4 | 440193 | 1 | 440193 | 1 |



BC26EU HYDRO-DRIVE Owner's Manual

BC26EU HYDRO-DRIVE HANDLE PARTS LIST





BC26EU HYDRO-DRIVE Owner's Manual

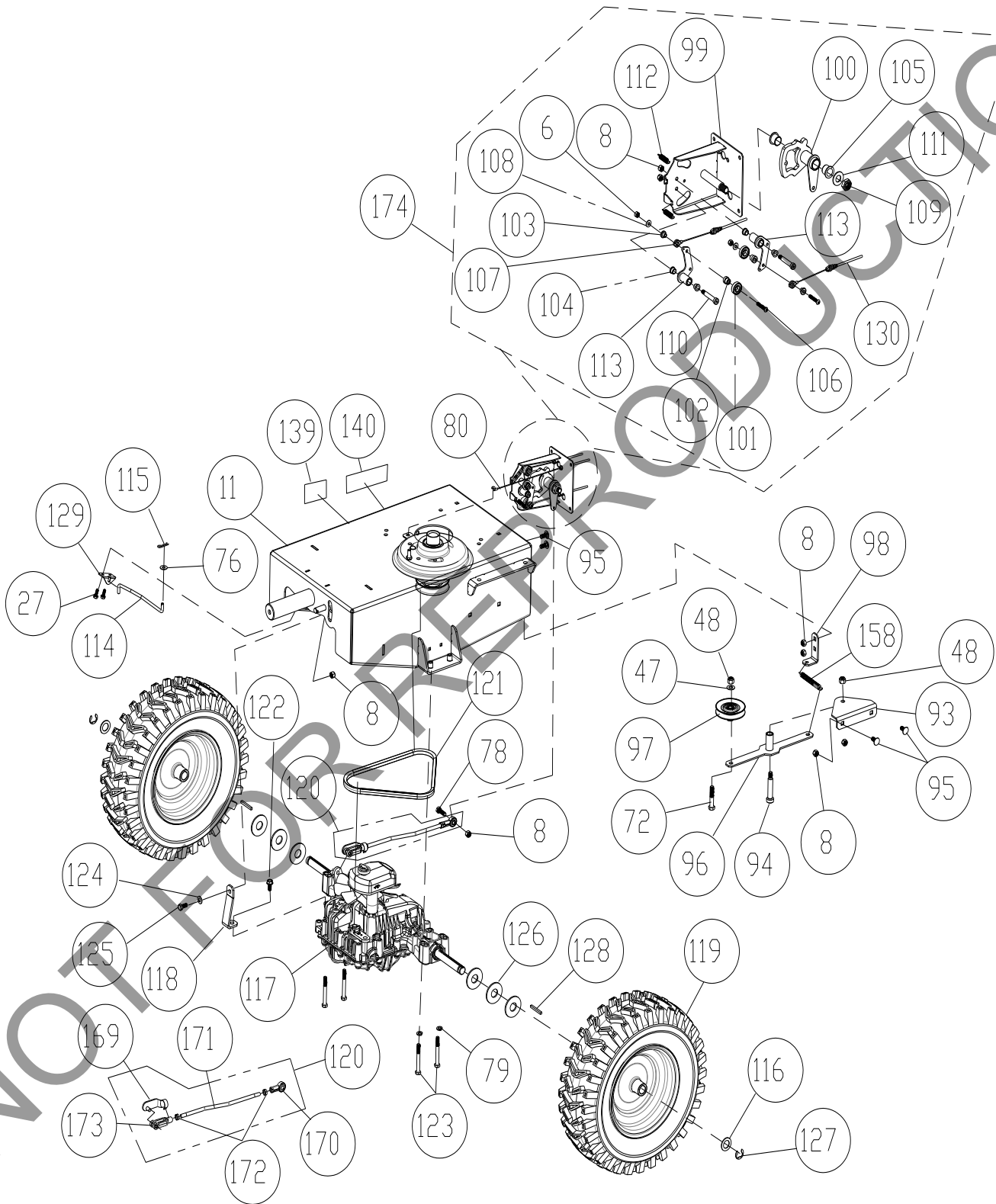
BC26EU HYDRO-DRIVE HANDLE PARTS LIST

| ITEM NO | DESCRIPTION | BC2600HHEU | | BC2600ICHEU | |
|---------|------------------------------------|------------|-----|-------------|-----|
| | | Part No | QTY | Part No | QTY |
| 8 | NUT LOCK 5/16-18 ZP | 8160002 | 3 | 8160002 | 3 |
| 48 | NUT LOCK 3/8-16 HEX | 8160003 | 8 | 8160003 | 8 |
| 69 | HANDLE LOWER LEFT | 501400 | 1 | 501400 | 1 |
| 70 | BRACKET THROTTLE BC26 | 501251 | 2 | 501251 | 2 |
| 72 | SCREWCAP 3/8"-16 X 2" | 8041054 | 4 | 8041054 | 4 |
| 73 | WASHER 3/8" FLAT | 8171004 | 16 | 8171004 | 16 |
| 74 | BOLT SHOULDER 3/8"-16 X 1 1/2" | 501313 | 1 | 501313 | 1 |
| 75 | SCREWCAP 3/8"-16 X 3" HCS ZP | 8041058 | 4 | 8041058 | 4 |
| 76 | WASHER 1/4" FLAT | 8171002 | 2 | 8171002 | 2 |
| 77 | BOLT CARRIAGE 5/16"-18 X 1 1/2" ZP | 8024042 | 2 | 8024042 | 2 |
| 78 | SCREWCAP 5/16"-18 X 1" ZP | 8041028 | 2 | 8041028 | 2 |
| 79 | WASHER LOCK 5/16" S/T MED | 8177011 | 2 | 8177011 | 2 |
| 80 | CABLE CLUTCH | 501279 | 1 | 501279 | 1 |
| 81 | LEVER CONTROL BLADE | 500312 | 1 | 500312 | 1 |
| 82 | CONTROL THROTTLE | 440013 | 1 | 440013 | 1 |
| 83 | NUT LOCK LT #10-24 HEX | 8164005 | 2 | 8164005 | 2 |
| 84 | SCREW MACHINE FLAT HD PHIL #10-24 | 830514 | 2 | 830514 | 2 |
| 85 | LABEL DRIVE DIRECTION | 501502 | 1 | 501502 | 1 |
| 86 | PLUG TUBE INSERT 1.25" OD | 791056 | 4 | 791056 | 4 |
| 87 | GRIP HANDLE | 500267 | 2 | 500267 | 2 |
| 88 | GUARD HAND BC26 | 501215 | 2 | 501215 | 2 |
| 89 | CONTROL MAGURA | 351209 | 2 | 351209 | 2 |
| 90 | GRIP LEVER 0.125" X 1" X 5" RED | 500379 | 1 | 500379 | 1 |
| 91 | HANDLE UPPER | 501402-S | 1 | 501402-S | 1 |
| 92 | HANDLE LOWER RIGHT | 501401 | 1 | 501401 | 1 |
| 107 | CABLE SPEED CONTROL RT SERVICE | 501276-S | 1 | 501276-S | 1 |
| 130 | CABLE SPEED CONTROL LFT SERVICE | 351271-S | 1 | 351271-S | 1 |
| 135 | LABEL BLADE ENGAGE | 500177 | 1 | 500177 | 1 |
| | LABEL THROTTLE PULL START BC | 501314 | 1 | 501314 | 1 |
| 138 | CABLE THROTTLE | 440014 | 1 | 440014 | 1 |



BC26EU HYDRO-DRIVE Owner's Manual

BC26EU HYDRO-DRIVE TRANS PARTS DRAWING





BC26EU HYDRO-DRIVE Owner's Manual

BC26EU HYDRO-DRIVE TRANS PARTS LIST

| ITEM NO | DESCRIPTION | BC2600HHEU | | BC2600ICHEU | |
|---------|---|------------|-----|-------------|-----|
| | | Part No | QTY | Part No | QTY |
| 6 | NUT LOCK 1/4"-20 HEX ZP | 8160001 | 2 | 8160001 | 2 |
| 8 | NUT LOCK 5/16"-18 | 8160002 | 10 | 8160002 | 10 |
| 11 | ENGINE BASE WA W/LABELS | 501603 | 1 | 501603 | 1 |
| 27 | SCREW SELT TAP 1/4-20 X 5/8" HWH TYPE F | 890359 | 2 | 890359 | 2 |
| 47 | WASHER 3/8" SAE | 8172009 | 1 | 8172009 | 1 |
| 48 | NUT LOCK 3/8"-16 HEX | 8160003 | 2 | 8160003 | 2 |
| 72 | SCREWCAP 3/8"-16 X 2" HCS ZP | 8041054 | 1 | 8041054 | 1 |
| 76 | WASHER 1/4" SAE | 8172007 | 1 | 8172007 | 1 |
| 78 | SCREWCAP 5/16"-18 X 1" HCS ZP | 8041028 | 1 | 8041028 | 1 |
| 79 | WASHER LOCK 5/16" S/T MED | 8177011 | 4 | 8177011 | 4 |
| 80 | CABLE CLUTCH | 501279 | 1 | 501279 | 1 |
| 93 | BRACKET IDLER ARM HYDRO BC26 | 501269 | 1 | 501269 | 1 |
| 94 | BOLT SHOULDER 1/2" X 2" | 520031 | 1 | 520031 | 1 |
| 95 | BOLT CARRIAGE 5/16"-18 X 3/4" PLAIN | 9024039 | 4 | 9024039 | 4 |
| 96 | ARM IDLER DRIVE HYDRO BC26 WA | 501112 | 1 | 501112 | 1 |
| 97 | PULLEY INSIDE IDLER BC26 | 501216 | 1 | 501216 | 1 |
| 98 | BRACKET SPRING IDLER | 501297 | 1 | 501297 | 1 |
| 99 | BRACKET SPEED CONTROL BC26 | 501105 | 1 | 501105 | 1 |
| 100 | PLATE CAM SPEED CONTROL BC26 | 351110 | 1 | 351110 | 1 |
| 101 | BEARING 1/2" ID X 1.125" OD | 351257 | 2 | 351257 | 2 |
| 102 | SPACER STEPPED SPEED CONTROL HYDRO DR | 351347 | 2 | 351347 | 2 |
| 103 | SPACER EYELET SPEED CONTROL | 351348 | 2 | 351348 | 2 |
| 104 | BUSHING 3/8" ID 1/2" OD X 3/8" LONG | 840078 | 4 | 840078 | 4 |
| 105 | BUSHING PIVOT FRAME AE | 360183 | 2 | 360183 | 2 |
| 106 | SCREWCAP 1/4-20 X 1 3/4 SKT BUT HD | 840199 | 2 | 840199 | 2 |
| 107 | CABLE SPEED CONTROL RT SERVICE | 501276-S | 1 | 501276-S | 1 |
| 108 | WASHER 1/4" SAE | 8172007 | 2 | 8172007 | 2 |
| 109 | NUT LOCK 5/8"-11 LT WT TH ZP | 8161046 | 1 | 8161046 | 1 |
| 110 | BOLT SHOULDER 3/8" X 1 3/4" | 351258 | 2 | 351258 | 2 |
| 111 | WASHER 5/8" FLAT | 8172013 | 1 | 8172013 | 1 |
| 112 | SPRING TENSION | 800242 | 2 | 800242 | 2 |
| 113 | BELLCRANK SPEED CONTROL BC26 | 501114 | 2 | 501114 | 2 |
| 114 | ROD TRANS BYPASS BC26 | 501265 | 1 | 501265 | 1 |
| 115 | HAIR PIN COTTER 1/4" | 900471 | 1 | 900471 | 1 |
| 116 | WASHER .765 ID X 1.25" OD X .06 | 850238 | 2 | 850238 | 2 |
| 117 | TRANSAXLE TUFF TORQ BC26 | 501218 | 1 | 501218 | 1 |
| 118 | BRACKET SUPPORT HYDRO TRANSAXLE | 501267 | 1 | 501267 | 1 |
| 119 | TIRE 16" AG SP | 501275 | 2 | 501275 | 2 |
| 120 | CONTROL ROD ASSY | 501025-S | 1 | 501025-S | 1 |
| 121 | BELT HYDRO TRANSAXLE BC26 | 501268 | 1 | 501268 | 1 |
| 122 | SCREW SELF TAP 5/16" X 3/4" HEX | 8123128 | 1 | 8123128 | 1 |
| 123 | SCREWCAP 5/16"-18 X 2 3/4" HCS ZP | 8041035 | 4 | 8041035 | 4 |
| 124 | WASHER 5/16" SAE | 8172008 | 1 | 8172008 | 1 |
| 125 | SCREWCAP 5/16"-18 X 3/4" HCS ZP | 8041026 | 1 | 8041026 | 1 |
| 126 | WASHER 3/4" SAE | 8172015 | 6 | 8172015 | 6 |
| 127 | RING RETAINING E 3/4" | 850230 | 2 | 850230 | 2 |
| 128 | KEY 3/16" SQ X 2 1/8" | 9201087 | 2 | 9201087 | 2 |
| 129 | BRACKET BYPASS ROD | 501272 | 1 | 501272 | 1 |
| 130 | CABLE SPEED CONTROL LFT SERVICE | 351271-S | 1 | 351271-S | 1 |
| 139 | LABEL DRIVE RELEASE | 501504 | 1 | 501504 | 1 |
| 140 | LABEL CHOCK WHEELS | 500168 | 2 | 500168 | 2 |
| 158 | SPRING IDLER BC | 501261 | 1 | 501261 | 1 |
| 169 | SPRING PIN CONTROL ROD | 501262 | 1 | 501262 | 1 |
| 170 | SPHERICAL ROD END MSF-5 | 351278 | 1 | 351278 | 1 |
| 171 | CONTROL ROD | 501260 | 1 | 501260 | 1 |
| 172 | NUT JAM 5/16" NC | 8143002 | 2 | 8143002 | 2 |
| 173 | YOKE FEMALE STEEL 5/16" - 24 RH X 2.25" | 501274 | 1 | 501274 | 1 |
| 174 | KIT SPEED CONTROL NO CABLES BC26 | 501607 | 1 | 501607 | 1 |