

THE  
**BARRETO**  
MODEL E622GT  
HYDRAULIC FRONT TINE TILLER  
EXPLODED VIEWS WITH PART NUMBERS

CONGRATULATIONS!

You are now the proud owner of a BARRETO tiller. The following pages have detailed views of your tiller, along with corresponding part numbers. If you have any questions or need any replacement parts in the future, please contact us at your convenience. Our toll-free phone number, fax and email are listed below and parts may be ordered through any of these methods.

Thank you for your patronage and confidence in BARRETO equipment.

Barreto Manufacturing, Inc.  
Innovative Equipment Engineered to Last  
66498 Highway 203  
La Grande, OR 97850  
1-800-525-7348  
1-541-963-6755 Fax  
E-Mail: [info@barretomfg.com](mailto:info@barretomfg.com)  
Web Site: <http://www.barretomfg.com>

Machine Identification Record

BARRETO Customer number \_\_\_\_\_

Machine model number \_\_\_\_\_

Machine serial number \_\_\_\_\_

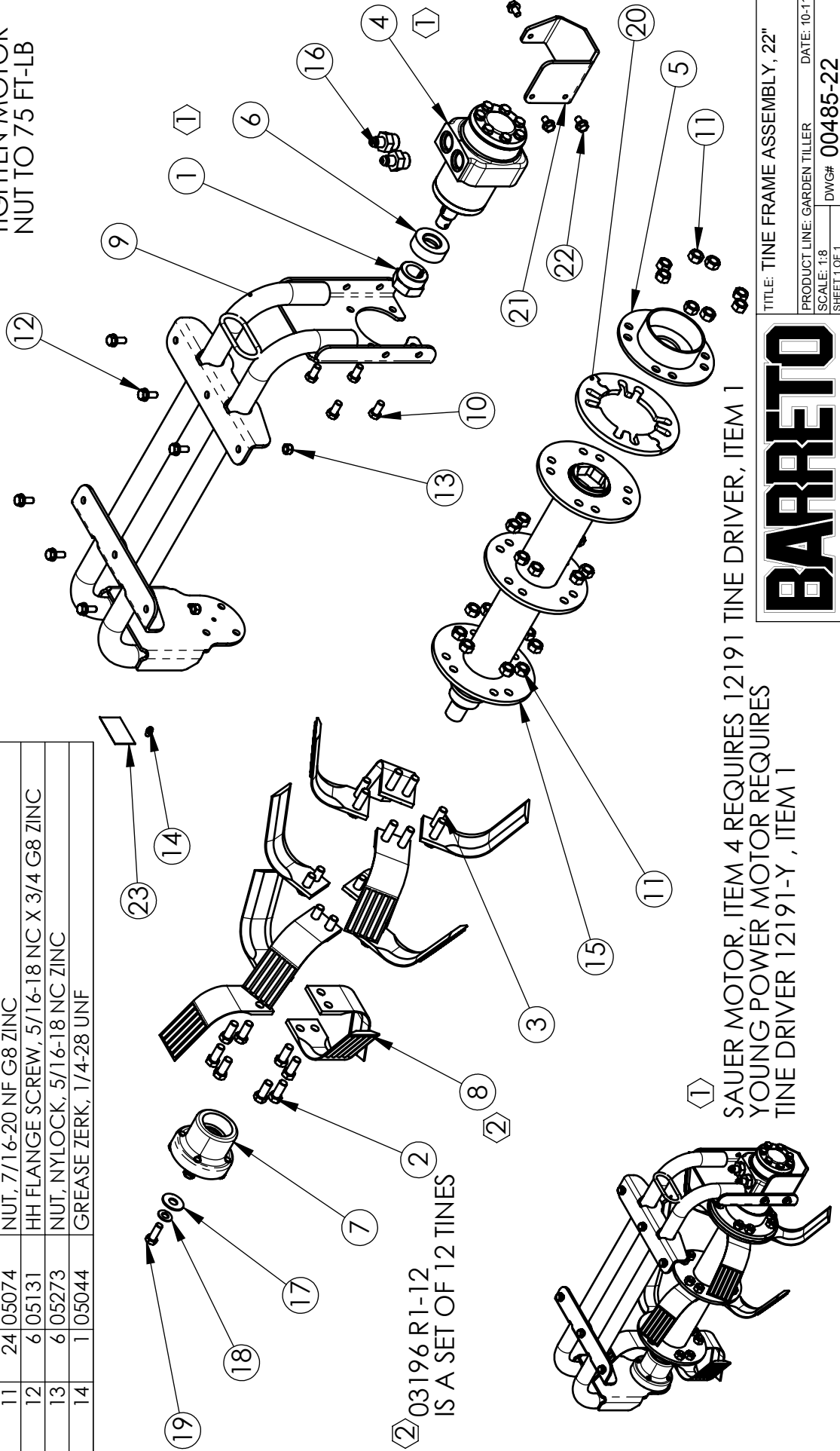
Engine manufacturer \_\_\_\_\_

Engine model number \_\_\_\_\_

Engine serial number \_\_\_\_\_

ITEM NO.	QTY.	PART NO.	DESCRIPTION	ITEM NO.	QTY.	PART NO.	DESCRIPTION
1	1	12191	TINE DRIVER	15	1	12206-22	TINE SHAFT, 22"
2	16	05061	HH CAP SCREW, 7/16-20 NF X 1 G8 ZINC	16	2	10800	HYDRAULIC FITTING, 6400-0-6-10
3	8	05173	HH CAP SCREW, 7/16-20 NF X 1-1/2 G8 ZINC	17	1	05083	WASHER, 7/16 USS ZINC
4	1	12209	MOTOR, 125cc	18	1	05103	WASHER, 3/8 A325 HARDENED ZINC
5	1	12192	DIRT SHIELD	19	1	05059	HH CAP SCREW, 3/8-16 NC X 1 G5 ZINC
6	1	12194	SHAFT SPACER	20	2	12189	SPACER RING
7	1	10144	OUTBOARD BEARING ASSEMBLY	21	1	12234	MOTOR GUARD
8	12	03196 R1	TINE, REVERSIBLE	22	3	05169	WHIZ LOCK, 5/16-18 NC X 1/2 ZINC
9	1	12195-22	TINE FRAME, 22"	23	1	103040-04	DECAL, "GREASE DAILY"
10	4	05057	HH CAP SCREW, 3/8-16 NC X 3/4 G5 ZINC				
11	24	05074	NUT, 7/16-20 NF G8 ZINC				
12	6	05131	HH FLANGE SCREW, 5/16-18 NC X 3/4 G8 ZINC				
13	6	05273	NUT, NYLOCK, 5/16-18 NC ZINC				
14	1	05044	GREASE ZERK, 1/4-28 UNF				

TIGHTEN MOTOR  
NUT TO 75 FT-LB

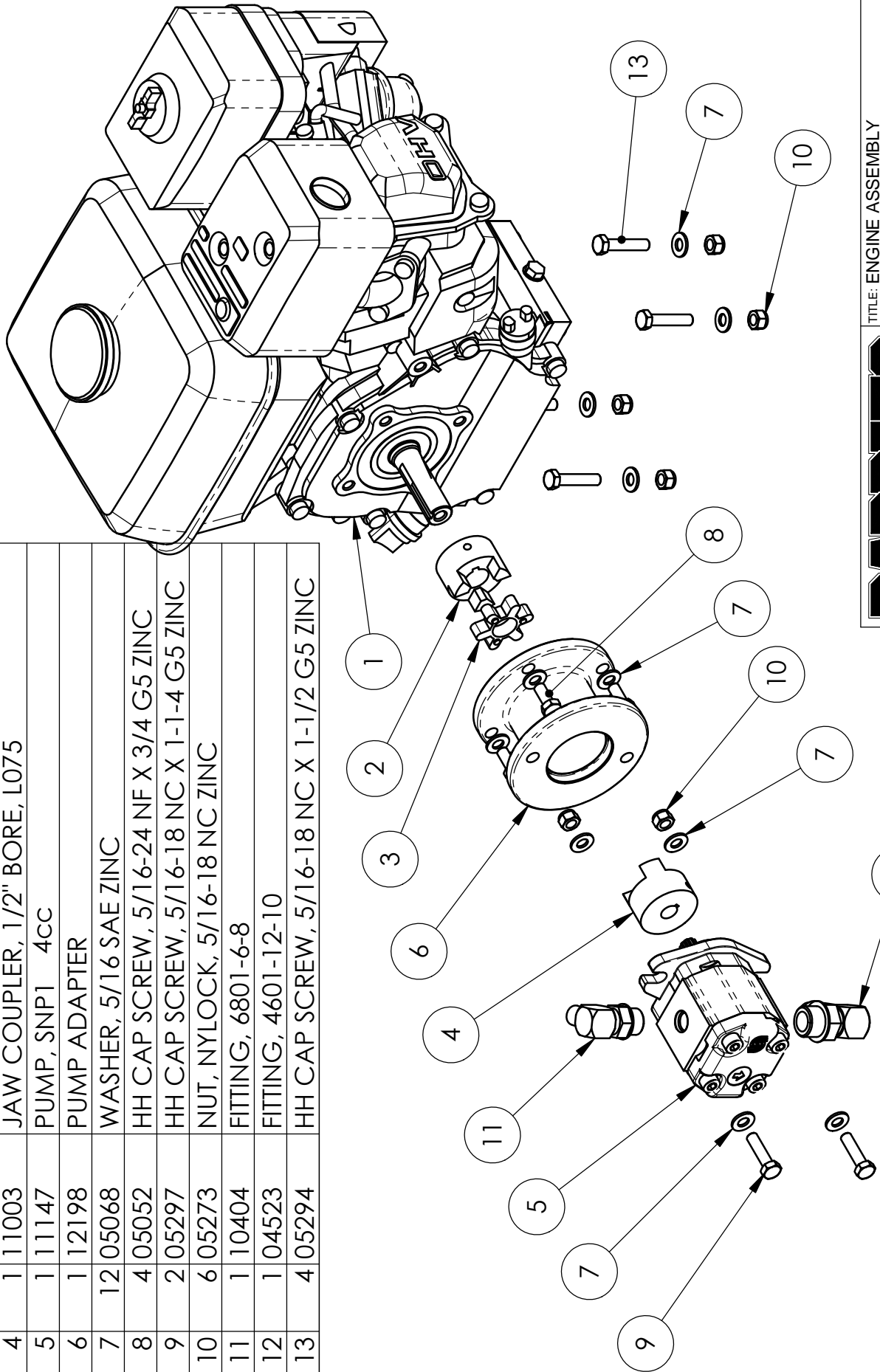


TITLE: TINE FRAME ASSEMBLY, 22"

PRODUCT LINE: GARDEN TILLER DATE: 10-11  
SCALE: 1:8 DWG# 00485-22  
SHEET 1 OF 1

ENGINE OPTIONS:  
 HONDA GX160, PN 07011  
 SUBARU EX17, PN 07013

ITEM NO.	QTY.	PART NO.	DESCRIPTION
1	1	07011	ENGINE, 5.5 HP HONDA GX160
2	1	11002	JAW COUPLER, 3/4" BORE, L075
3	1	11996	SPIDER, URETHANE, L075
4	1	11003	JAW COUPLER, 1/2" BORE, L075
5	1	11147	PUMP, SNP1 4CC
6	1	12198	PUMP ADAPTER
7	12	05068	WASHER, 5/16 SAE ZINC
8	4	05052	HH CAP SCREW, 5/16-24 NF X 3/4 G5 ZINC
9	2	05297	HH CAP SCREW, 5/16-18 NC X 1-1/4 G5 ZINC
10	6	05273	NUT, NYLOCK, 5/16-18 NC ZINC
11	1	10404	FITTING, 6801-6-8
12	1	04523	FITTING, 4601-12-10
13	4	05294	HH CAP SCREW, 5/16-18 NC X 1-1/2 G5 ZINC



**BARRETO**

TITLE: ENGINE ASSEMBLY

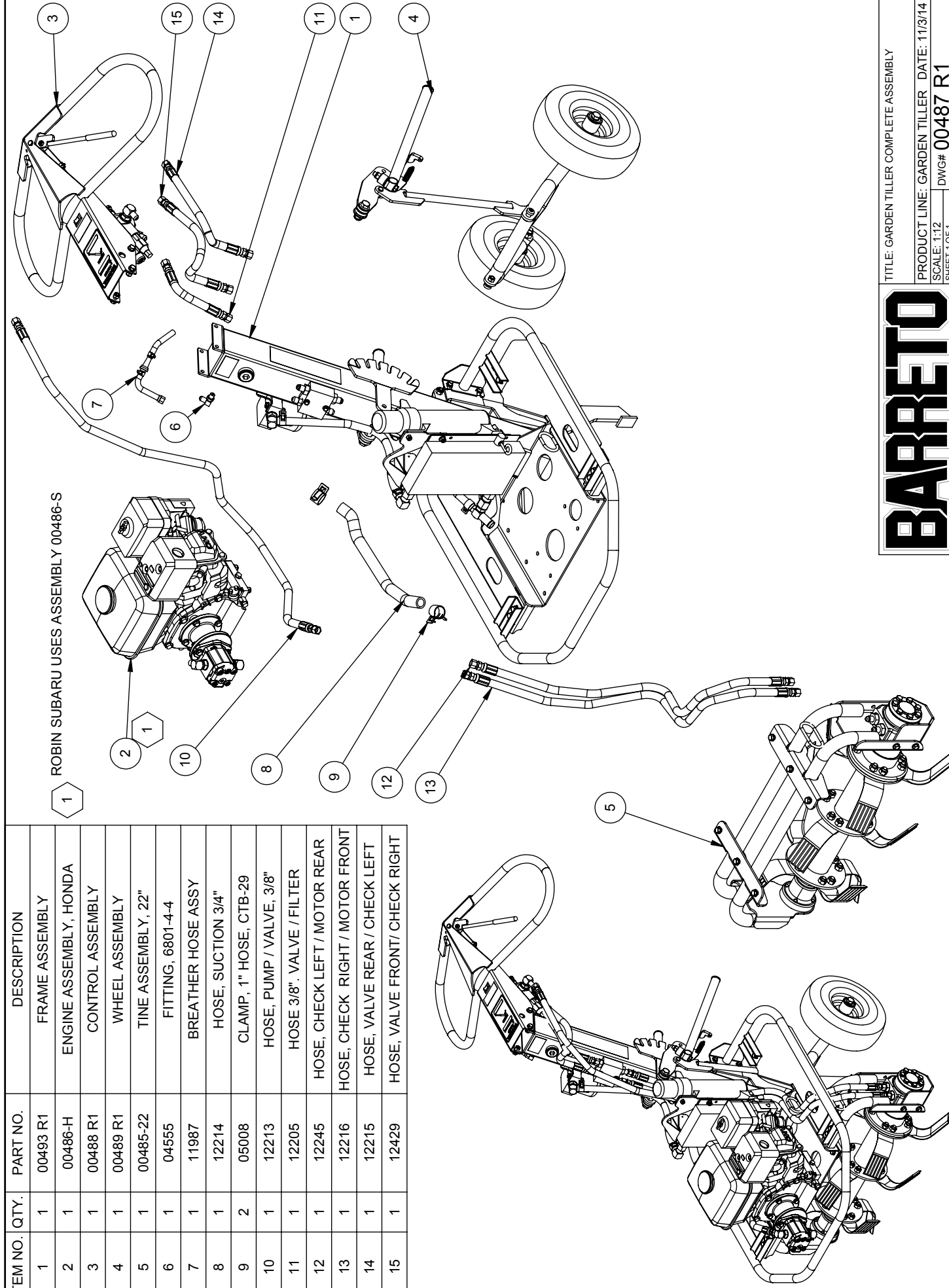
PRODUCT LINE: GARDEN TILLER DATE: 10-11

SCALE: 1:4 DWG#: 00486-H

SHEET 1 OF 1

ITEM NO.	QTY.	PART NO.	DESCRIPTION
1	1	00493 R1	FRAME ASSEMBLY
2	1	00486-H	ENGINE ASSEMBLY, HONDA
3	1	00488 R1	CONTROL ASSEMBLY
4	1	00489 R1	WHEEL ASSEMBLY
5	1	00485-22	TINE ASSEMBLY, 22"
6	1	04555	FITTING, 6801-4-4
7	1	11987	BREATHER HOSE ASSY
8	1	12214	HOSE, SUCTION 3/4"
9	2	05008	CLAMP, 1" HOSE, CTB-29
10	1	12213	HOSE, PUMP / VALVE, 3/8"
11	1	12205	HOSE 3/8". VALVE / FILTER
12	1	12245	HOSE, CHECK LEFT / MOTOR REAR
13	1	12216	HOSE, CHECK RIGHT / MOTOR FRONT
14	1	12215	HOSE, VALVE REAR / CHECK LEFT
15	1	12429	HOSE, VALVE FRONT/ CHECK RIGHT

1 ROBIN SUBARU USES ASSEMBLY 00486-S



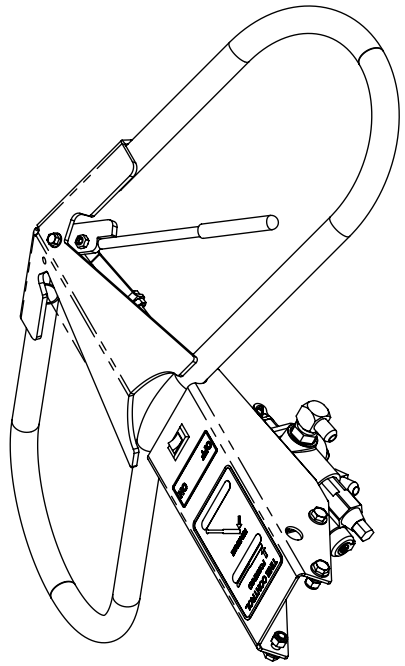
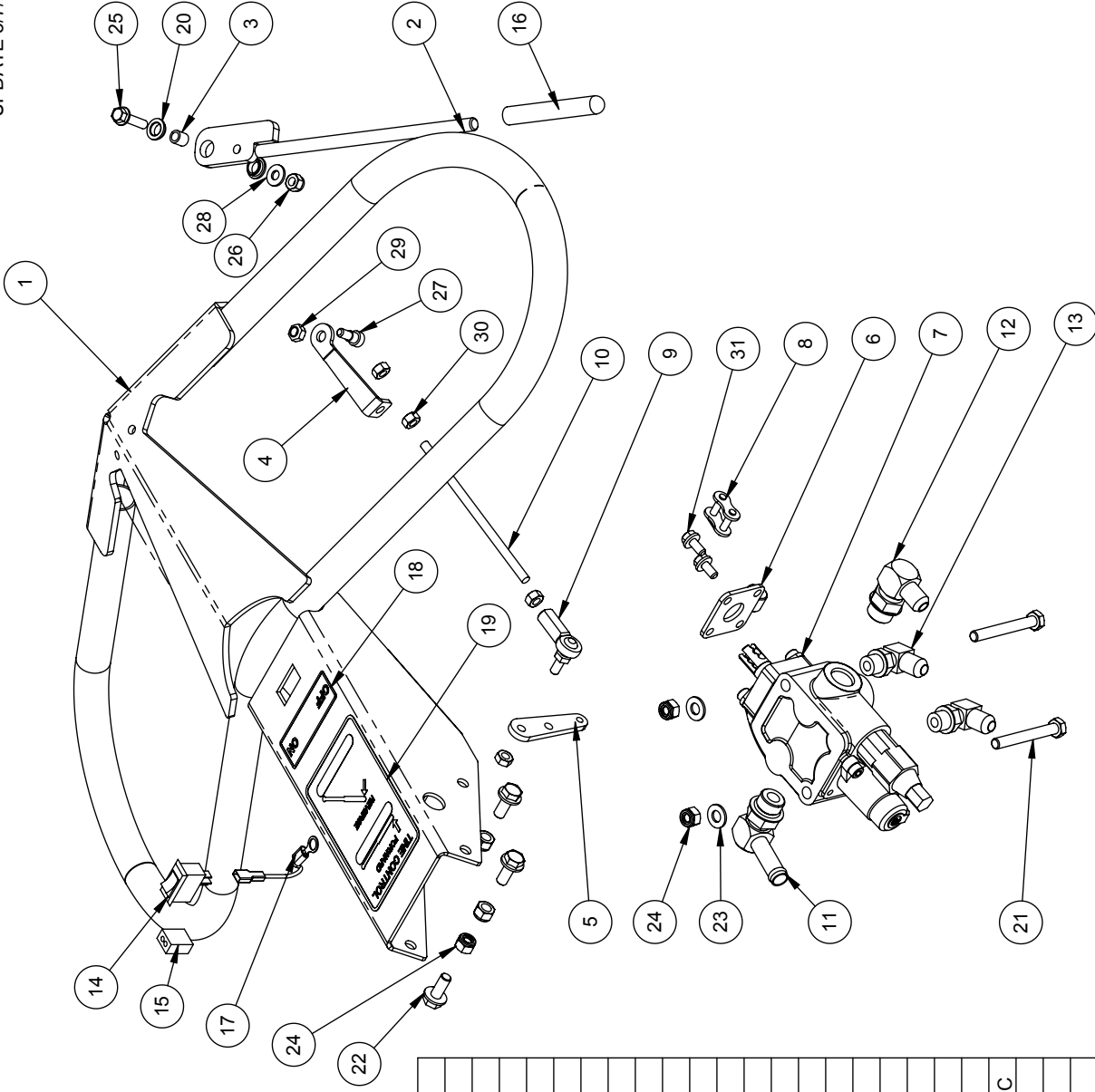
# BARRETO

TITLE: GARDEN TILLER COMPLETE ASSEMBLY

PRODUCT LINE: GARDEN TILLER DATE: 11/3/14

SCALE: 1:12 SHEET 1 OF 1 DWG# 00487 R1

UPDATE 3/7/17

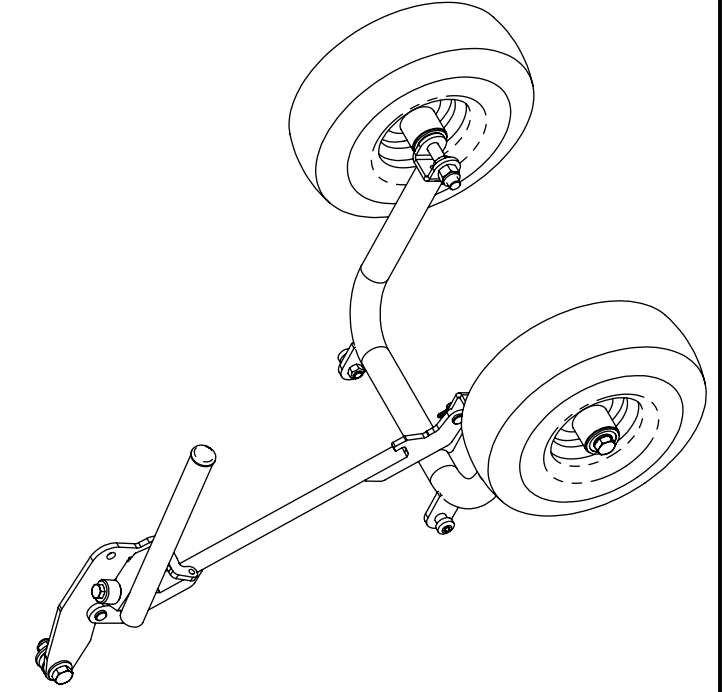
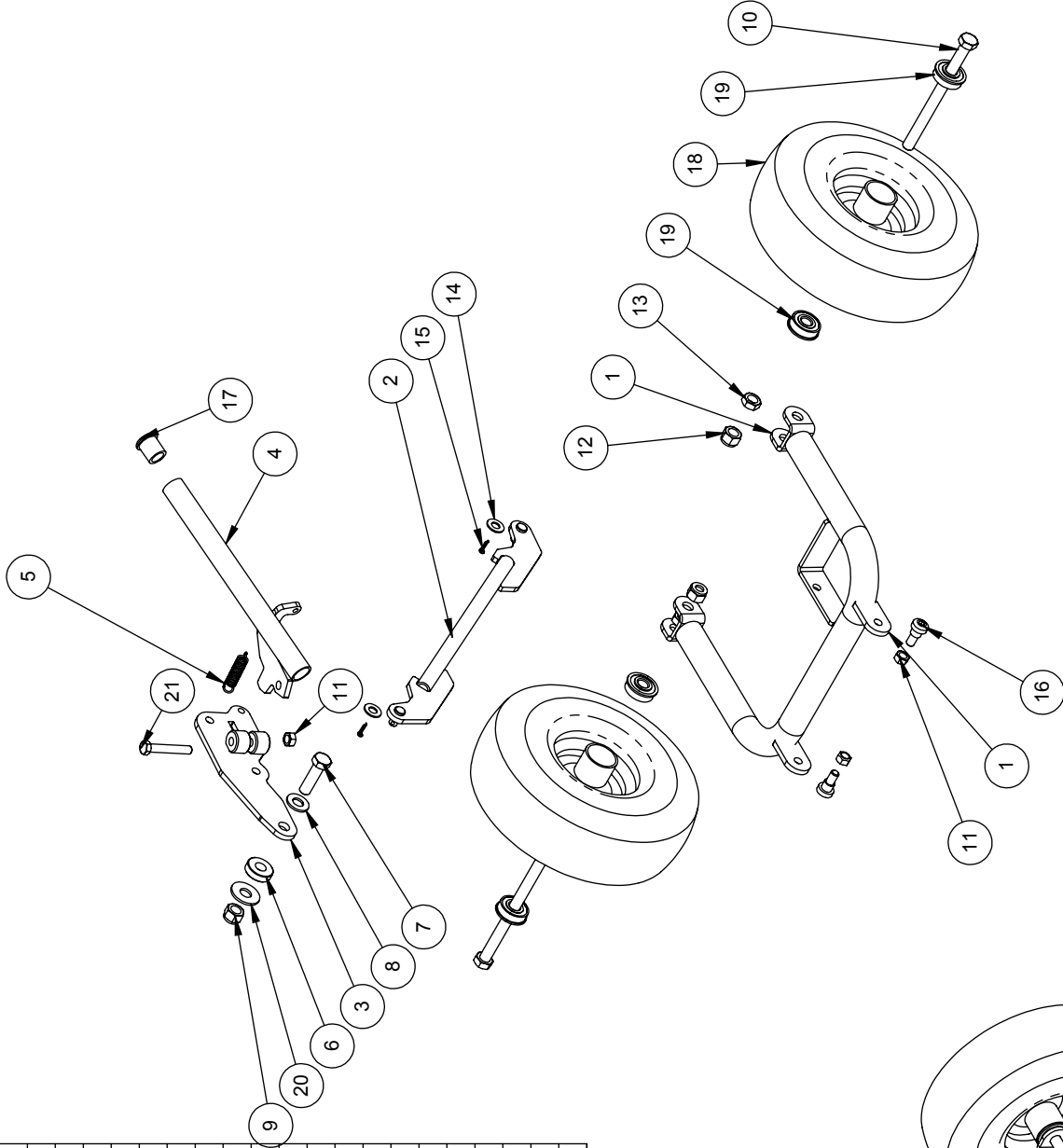


ITEM NO.	QTY.	PART NO.	DESCRIPTION
1	1	12202 R1	HANDLEBAR
2	1	12852	VALVE LEVER
3	1	11741	SPACER
4	1	12853	PULL LINK
5	1	12246	VALVE ROCKER
6	1	12210	FULCRUM
7	1	11287	ROQUET VALVE, .6102-TIPOS
8	1	103017	MASTER LINK, #50 CHAIN
9	1	11353	BALL JOINT, 1/4-28, M/FEM
10	1	12247	VALVE ROD,
11	1	104572	FITTING, 4601-8-8
12	1	10404	FITTING, 6801-6-8
13	2	04538	FITTING, 6801-6-6
14	1	06420	ROCKER SWITCH, IGNITION OFF/ON
15	1	03806	QUICK-SPLICE
16	1	03036	GRIP, 3/8 X 3-1/2
17	1	06421	GROUND WIRE, IGNITION SWITCH
18	1	03341-07	DECAL, "IGNITION OFF/ON"
19	1	04406-04	DECAL, TINES FWD / REV
20	2	11979	BUSHING, IGUS MFL-0608-03
21	2	05568	HH CAP SCREW, 5/16-18 NC X 2-1/2 G5 ZINC
22	4	05140	WHIZ-LOCK 5/16 - 18 X 3/4
23	2	05068	WASHER, 5/16 SAE ZINC
24	6	05273	NUT, NYLOCK, 5/16-18 NC ZINC
25	1	05368	WHIZ-LOCK 1/4 - 20 X 1
26	1	05096	NUT, NYLOCK, 1/4-20 NC ZINC
27	1	05502	SH SHOULDER SCREW, (5/16) X 1/4 NC
28	1	05081	WASHER, 1/4 SAE ZINC
29	2	05266	NUT, GRIPCO, 1/4-28 NF G5 ZINC
30	3	05267	NUT, 1/4-28 NF ZINC
31	2	07007-11	HH FLANGE SCREW, 6mm-1.0 X 12mm ZINC

# BARRETO

TITLE: CONTROL ASSEMBLY  
 PRODUCT LINE: GARDEN TILLER DATE: 6/14  
 SCALE: 1:5 DWG# 00488 R1  
 SHEET 1 OF 1

ITEM NO.	QTY.	PART NO.	DESCRIPTION
1	1	11745	SWING ARM
2	1	11747 R1	RAISE LINK
3	1	11746L R1	LEVER BASE, LEFT
4	1	12847L	LIFT LEVER, LEFT
5	1	10537	SPRING, LIFT LEVER
6	1	12849	LEVER SPACER
7	1	10257	HH CAP SCREW, 1/2-20 NF X 1-3/4 G5 ZINC
8	1	05102	WASHER, 1/2 SAE ZINC HARDENED
9	1	05075	NUT, NYLOCK, 1/2-20 NF ZINC
10	2	10276	HH CAP SCREW, 1/2-13 NC X 6-1/2 G5 ZINC
11	3	05358	NUT, GRIPCO, 3/8-24 NF G8 ZINC
12	2	05098	NUT, NYLOCK, 1/2-13 NC ZINC
13	2	11056	NUT, JAM, 1/2-13 NC G5 ZINC
14	2	05101	WASHER, 3/8 SAE ZINC
15	2	05222	COTTER PIN 1/8 X 3/4
16	2	05185	BH SHOULDER SCREW, 1/2D X 3/8L
17	1	12151	TUBE CAP, 1.0 X 7/8
18	2	10347	TIRE & RIM 4.10/3.50-4
19	4	10347.50	BEARING, 1/2 BORE
20	1	05201	WASHER, 1/2 USS ZINC
21	1	105352	HH CAP SCREW, 3/8-16 NC X 2-1/4 G5 ZINC



TITLE: WHEEL ASSEMBLY

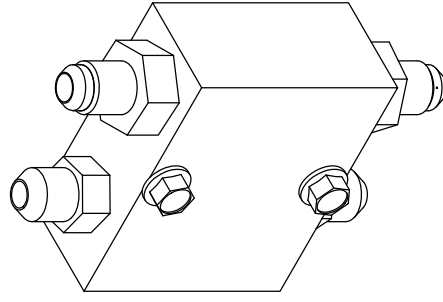
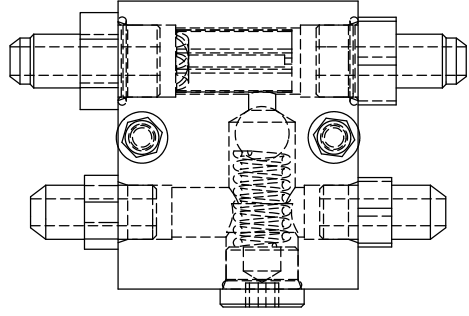
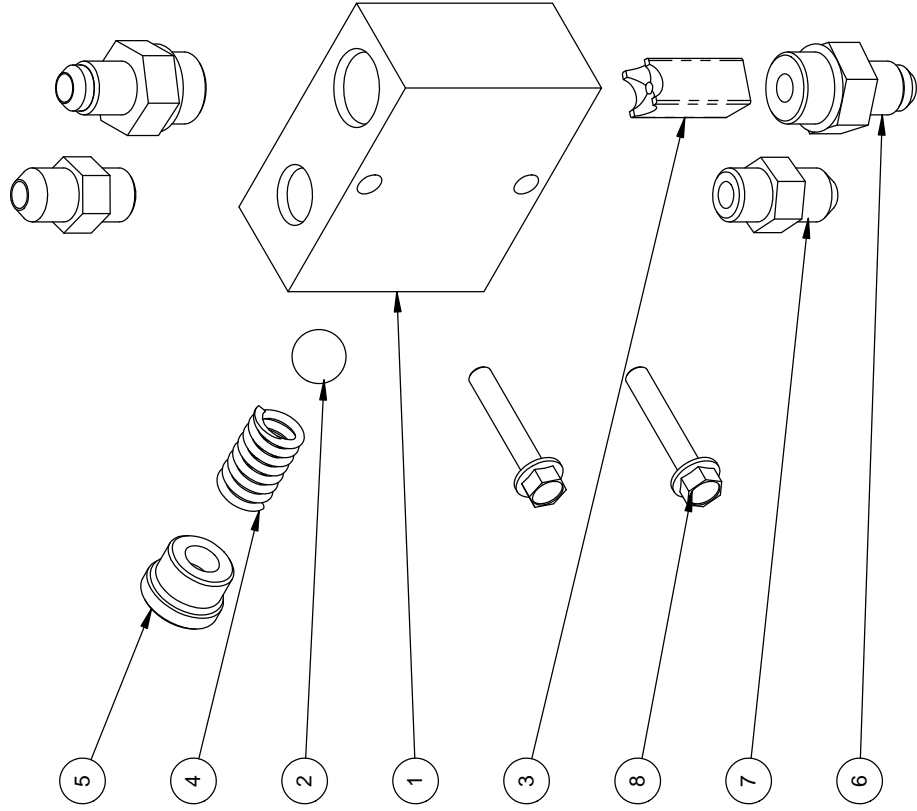
**BARRETO**

PRODUCT LINE: GARDEN TILLER DATE: 5-14

SCALE: 1:8

SHEET 1 OF 1 DWG# 00489 R1

ITEM NO.	QTY.	PART NO.	DESCRIPTION
1	1	12344	CHECK / RELIEF BODY
2	1	04608	BALL, CHECK VALVE
3	1	12243 R1	ORIFICE PLUG
4	1	12427	SPRING, LEE LC-092H-05
5	1	10361	FITTING, 6409-8 PLUG
6	2	04226	FITTING, 6400-6-8
7	2	10401	FITTING, 6400-6-6
8	2	10622	WHIZ LOCK, 1/4-20 NC X 1-1/2 ZINC



TITLE: CHECK / RELIEF

PRODUCT LINE: GARDEN TILLER DATE: 9/12

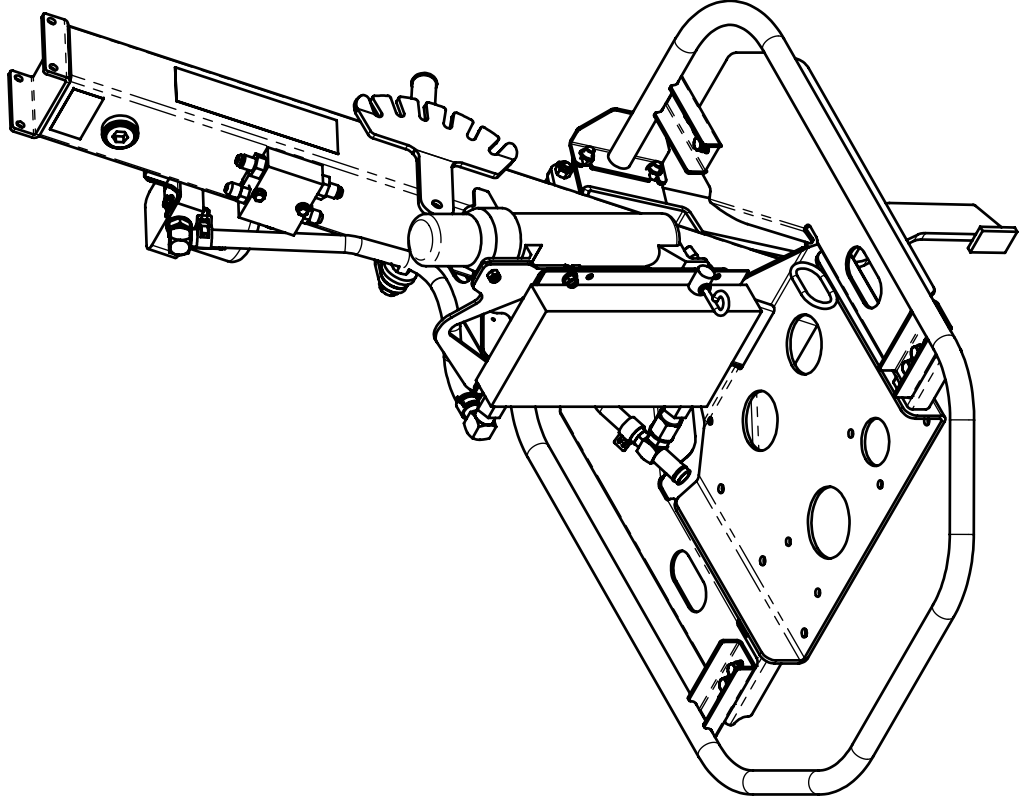
SCALE: 1:2

DWG# 12344-ASM

SHEET 1 OF 1

# BARRETO

ITEM NO.	QTY.	PART NO.	DESCRIPTION	ITEM NO.	QTY.	PART NO.	DESCRIPTION
1	1	11997	FITTING, 4501-8-8	49	1	12846-R	DIRT DEFLECTOR
2	1	10527	OIL COOLER, B & M 70273, 11 X 5.75	50	6	05131	HH FLANGE SCREW, 5/16-18 NC X 3/4 G8 ZINC
3	1	06423	STARTER GROMMET	51	6	05273	NUT, NYLOCK, 5/16-18 NC ZINC
4	1	12197 R1	FRAME	52	6	05068	WASHER, 5/16 SAE ZINC
5	2	05092	HH CAP SCREW, 3/8-16 NC X 1-1/2 G5 ZINC	53	1	12860	FITTING, 6407-8-6
6	4	05073	NUT, NYLOCK, 3/8-16 NC ZINC	54	1	12199 R1	FILTER BRACKET
7	2	12230	SPACER	55	1	12196 R1	FILTER HEAD, ASSEMBLED
8	9	05081	WASHER, 1/4 SAE ZINC	56	1	03009-R1	HOSE METER, WITH FLASH ALERT
9	2	05069	WHIZ LOCK, 1/4-20 NC X 5/8 ZINC				
10	7	05096	NUT, NYLOCK, 1/4-20 NC ZINC				
11	2	05049	WHIZ LOCK, 1/4-20 NC X 3/4 ZINC				
12	1	12207	ROPE GUIDE MOUNT				
13	1	10361	FITTING, 6409-8 PLUG				
14	1	10526	FITTING, 6409-12 PLUG				
15	1	03503	SIGHT GAUGE				
16	1	03087	OIL FILTER, FRAM PH 3614				
17	2	04572	FITTING, 4601-8-8				
18	1	03232	O-RING, 2-014, 5/8 OD X 1/16 SECTION				
19	2	05051	WHIZ-LOCK 1/4 - 20 X 1/2				
20	2	05556	HH CAP SCREW, 1/4-20 NC X 1-3/4 G5 ZINC				
21	4	12131	CLAMP, 1/2" HOSE, CTB-22				
22	1	12217	HOSE, 1/2"				
23	1	12218	HOSE, 1/2 " COOLER / TANK				
24	1	12155	LINK				
25	2	12156	LINK SPACER				
26	1	11746R R1	LEVER BASE, RT				
27	1	05102	WASHER, 1/2 SAE ZINC HARDENED				
28	1	05129	HH CAP SCREW, 1/2-13 NC X 1-3/4 G5 ZINC				
29	1	05098	NUT, NYLOCK, 1/2-13 NC ZINC				
30	3	05352	HH CAP SCREW, 3/8-16 NC X 2-1/4 G5 ZINC				
31	2	05101	WASHER, 3/8 SAE ZINC				
32	1	11667	FITTING, 4604-8-6				
33	1	04574	FITTING, 4604-8-8				
34	1	12208	DRAG BAR				
35	1	12090	INSTRUCTION CANISTER				
36	1	03040-11	DECAL, "BARRETO", 2-3/16 X 7-3/8				
37	1	04406-02	DECAL, 622-GT				
38	1	03040-06	DECAL, "HYDRAULIC OIL ONLY"				
39	1	04569	FITTING, 6404-8-8				
40	1	12151	TUBE CAP, 1.0 X 7/8				
41	1	10529-P	FITTING, 4601-12-8 T6				
42	1	12344-ASM	CHECK RELIEF ASSEMBLY				
43	1	12847R	LIFT LEVER, RIGHT				
44	1	12849	LEVER SPACER				
45	1	10537	SPRING, LIFT LEVER				
46	1	05358	NUT, GRIPCO, 3/8-16 NC G8 ZINC				
47	1	12845	GUARD HOOP				
48	1	12846-L	DIRT DEFLECTOR				



# BARRETO

TITLE: FRAME ASSEMBLY

PRODUCT LINE: GARDEN TILLER

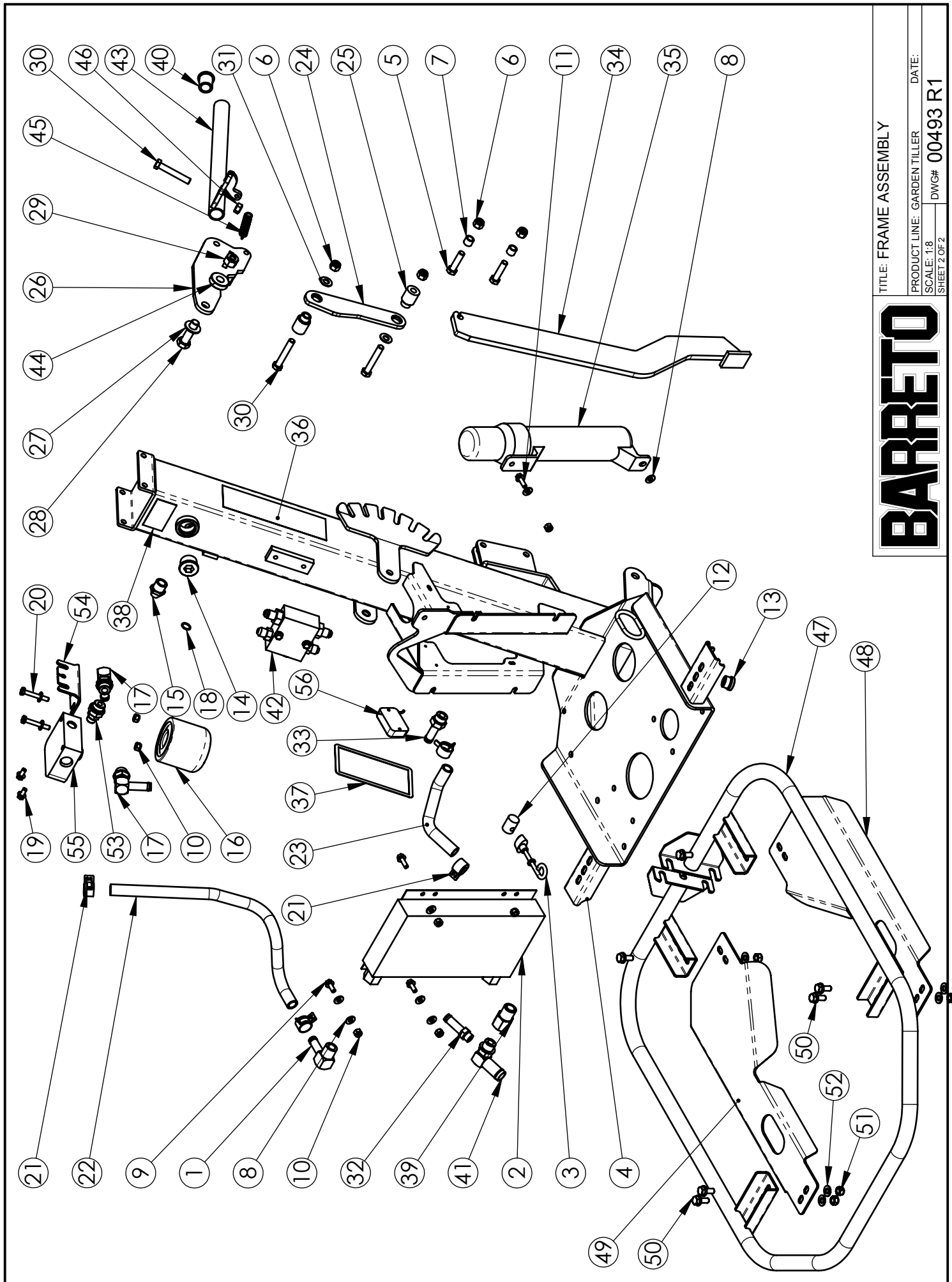
SCALE: 1:8

DATE: 10/13/14

SHEET 1 OF 2

DWG# 00493 R1





TITLE: FRAME ASSEMBLY

PRODUCT LINE: GARDEN TILLER

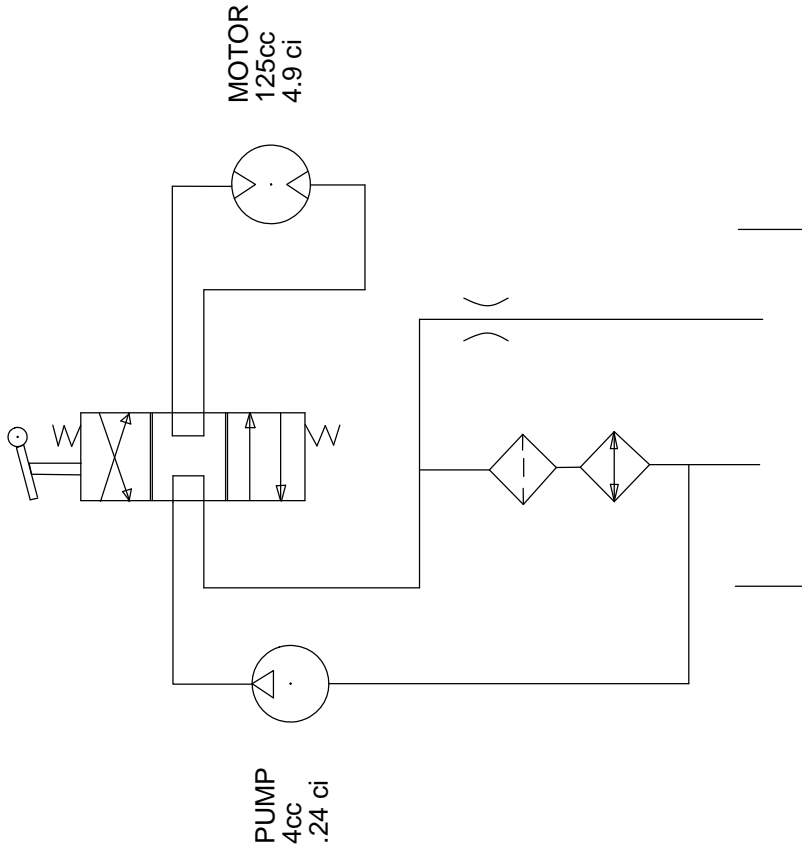
SCALE: 1:8

SHEET 2 OF 2

DATE:

DWG# 00493 R1

# BARRETO



TITLE: HYDRAULIC SCHEMATIC  
 PRODUCT LINE: 622 GT DATE: 8/12  
 SCALE: 1:3 DWG#: HYD-SCHEMATIC  
 SHEET 1 OF 1

