

THE
BARRETO
MODEL 1324TK - 1624TK
HYDRAULIC TRENCHER EXPLODED VIEWS
WITH PART NUMBERS

CONGRATULATIONS!

You are now the proud owner of a BARRETO trencher. The following pages have detailed views of your trencher, along with corresponding part numbers. If you have any questions or need any replacement parts in the future, please contact us at your convenience. Our toll-free phone number, fax and email are listed below and parts may be ordered through any of these methods.

Thank you for your patronage and confidence in BARRETO equipment.

Barreto Manufacturing, Inc.
Innovative Equipment Engineered to Last
66498 Highway 203
La Grande, OR 97850
1-800-525-7348
1-541-963-6755 Fax
E-Mail: info@barretomfg.com
Web Site: <http://www.barretomfg.com>

Machine Identification Record

BARRETO Customer number _____

Machine model number _____

Machine serial number _____

Engine manufacturer _____

Engine model number _____

Engine serial number _____

ITEM NO.	QTY.	PART NO.	DESCRIPTION
1	1	10253	BALL BEARING, SKF 6209
2	1	10685-R1	SPINDLE
3	1	10686	SPINDLE HOUSING
4	1	11310	SNAP RING, SHR-175, 1-3/4" EXT, HEAVY
5	2	10990	BALL BEARING, SKF 6011
6	1	SEAL - 10688	SEAL, TCM 24363OUB
7	1	10284	SNAP RING, HO-334, 3-11/32 INTERNAL
8	1	11341	GREASE SAVER

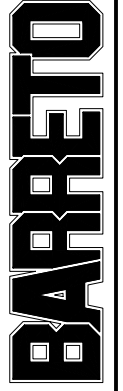
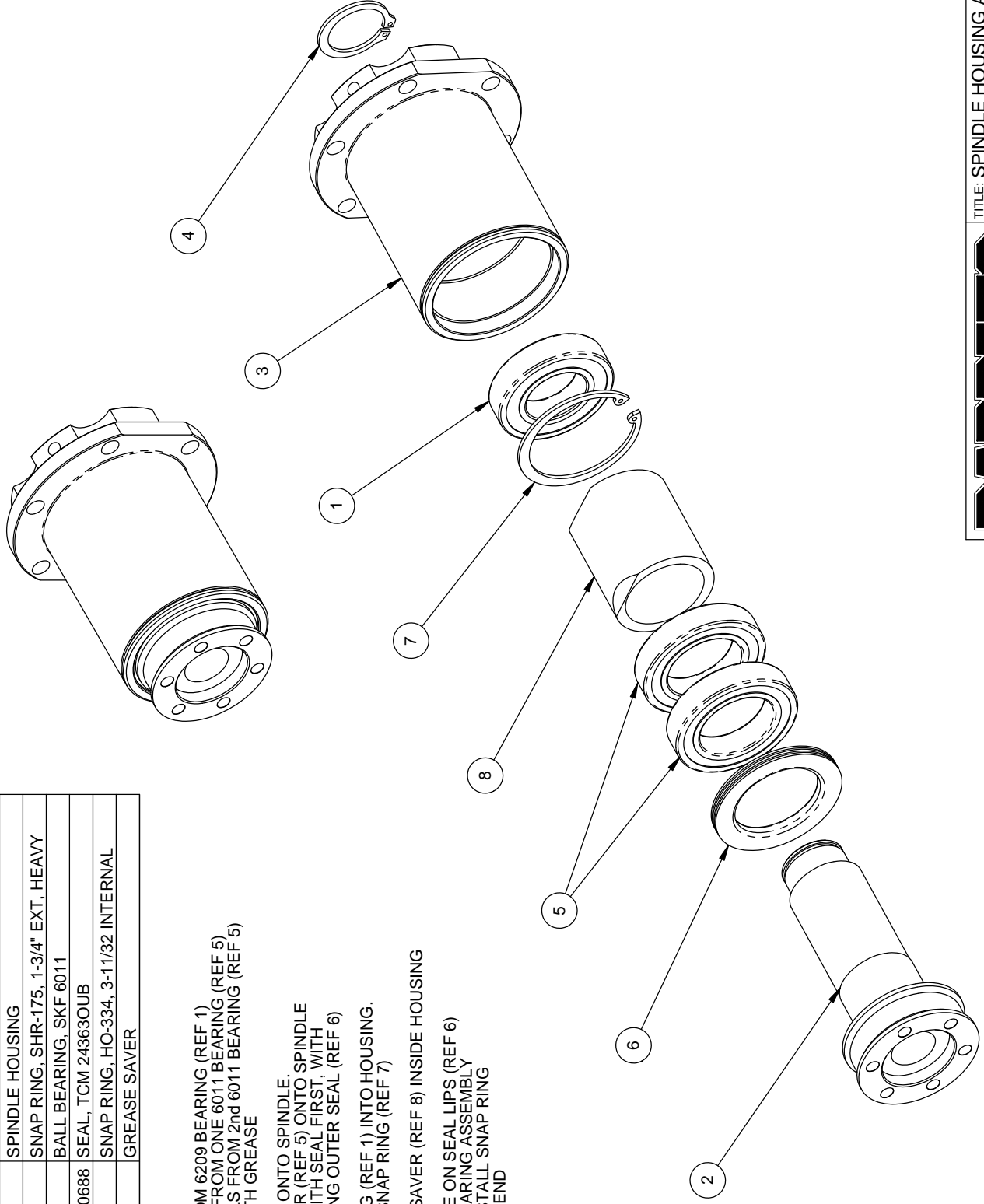
REMOVE SEALS FROM 6209 BEARING (REF 1)
 REMOVE ONE SEAL FROM ONE 6011 BEARING (REF 5)
 REMOVE BOTH SEALS FROM 2nd 6011 BEARING (REF 5)
 PACK BEARINGS WITH GREASE

PRESS SEAL (REF 6) ONTO SPINDLE.
 PRESS BEARING PAIR (REF 5) ONTO SPINDLE
 INSTALL BEARING WITH SEAL FIRST, WITH
 BEARING SEAL FACING OUTER SEAL (REF 6)

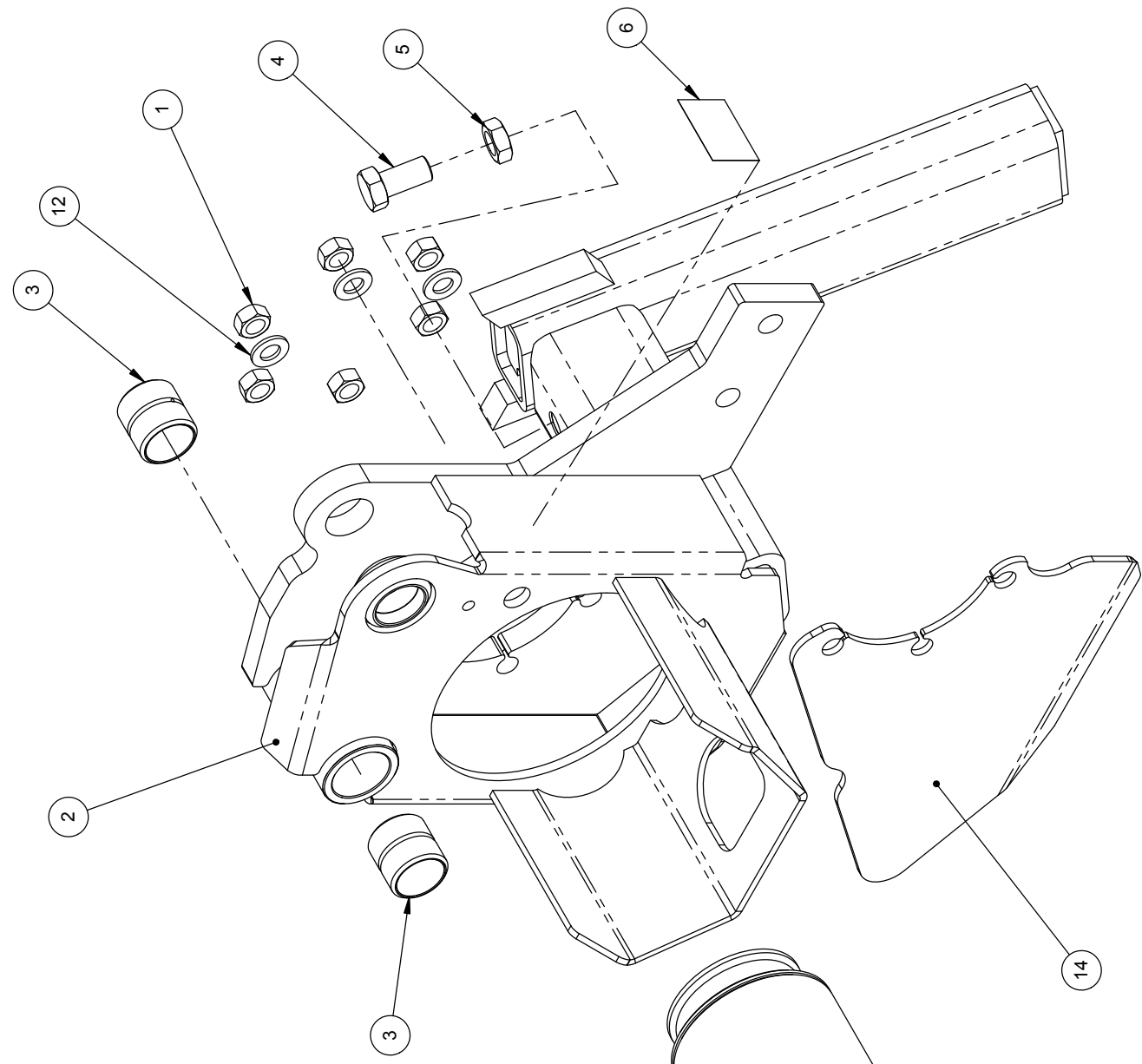
PRESS 6209 BEARING (REF 1) INTO HOUSING.
 INSTALL INTERNAL SNAP RING (REF 7)

PUT 11341 GREASE SAVER (REF 8) INSIDE HOUSING

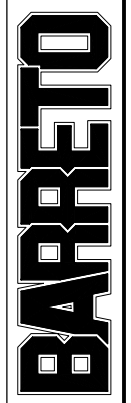
PUT PLENTY GREASE ON SEAL LIPS (REF 6)
 PRESS SPINDLE / BEARING ASSEMBLY
 INTO HOUSING & INSTALL SNAP RING
 (REF 4) ON SPINDLE END



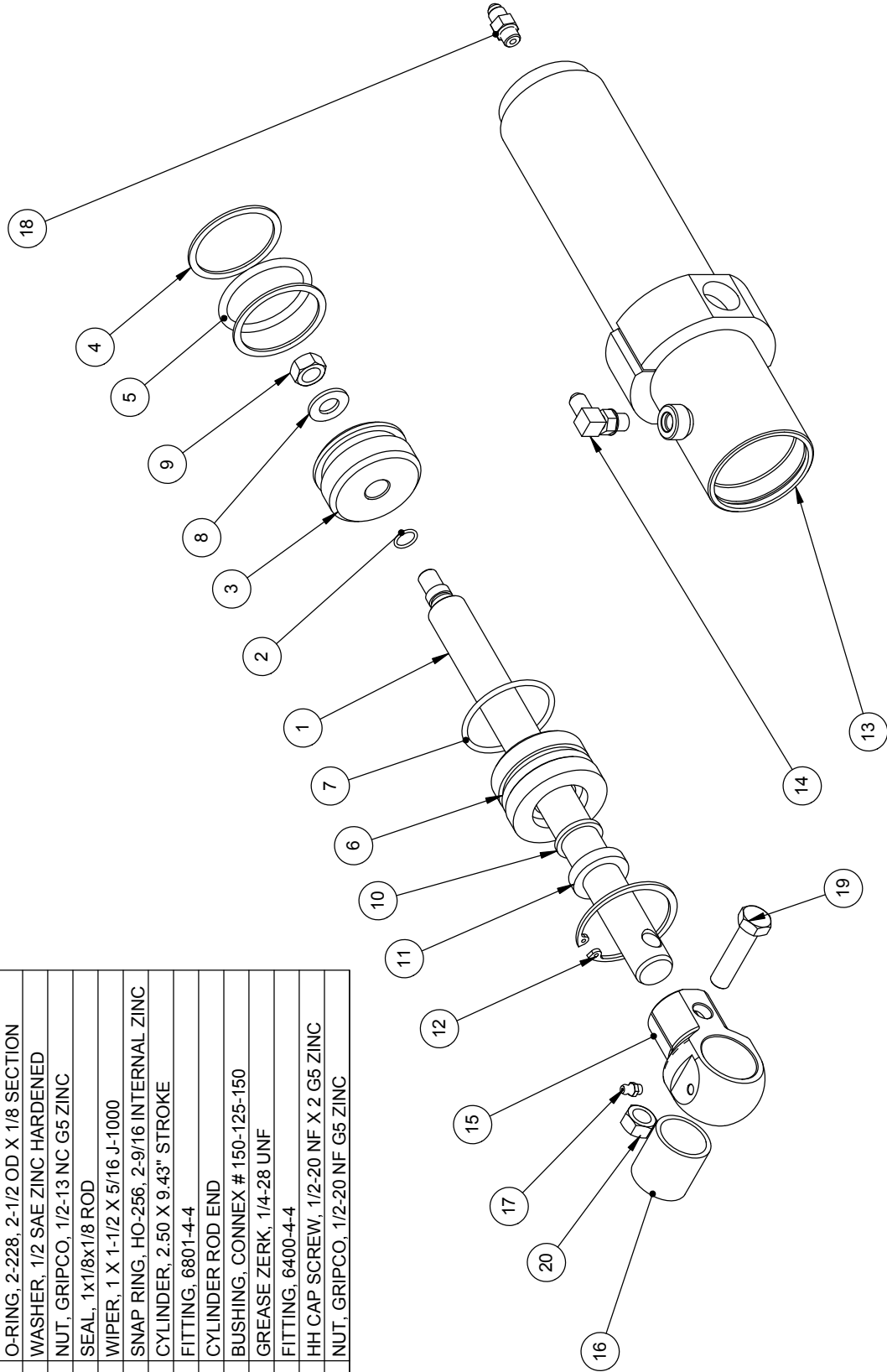
REF.	QTY.	PART NO.	DESCRIPTION
1	6	05076	NUT, GRIPCO, 1/2-20 NF G5 ZINC
2	1	11217R	CHAIN MOTOR HOUSING
3	2	03502	BUSHING, CONNEX 1.5X1.25X1
4	1	05260	HH CAP SCREW, 5/8-11 NC X 1-1/4 G5 ZINC
5	2	10707	NUT, JAM, 5/8-11 NC ZINC
6	1	03040-04	DECAL, "GREASE DAILY"
7	1	00298	SPINDLE HOUSING ASSEMBLY
8	6	05251	HH CAP SCREW, 1/2-20 NF X 2 G5 ZINC
9	1	11016t	BULKHEAD COUPLER, 1/8F NPT, 1/8F NPT
10	1	11047	GREASE ZERK, 1/8 NPT
11	3	05102-M	1/2" WASHER, TURNED
12	6	05102	WASHER, 1/2 SAE ZINC HARDENED
14	1	11963	FIN



TITLE: MOTOR HOUSING ASSEMBLY
 3" BOOM MOUNT
 PRODUCT LINE: TRACK TRENCHER DATE: 11/06
 SCALE: 1:4 DWG# 00299 R1
 SHEET 1 OF 1



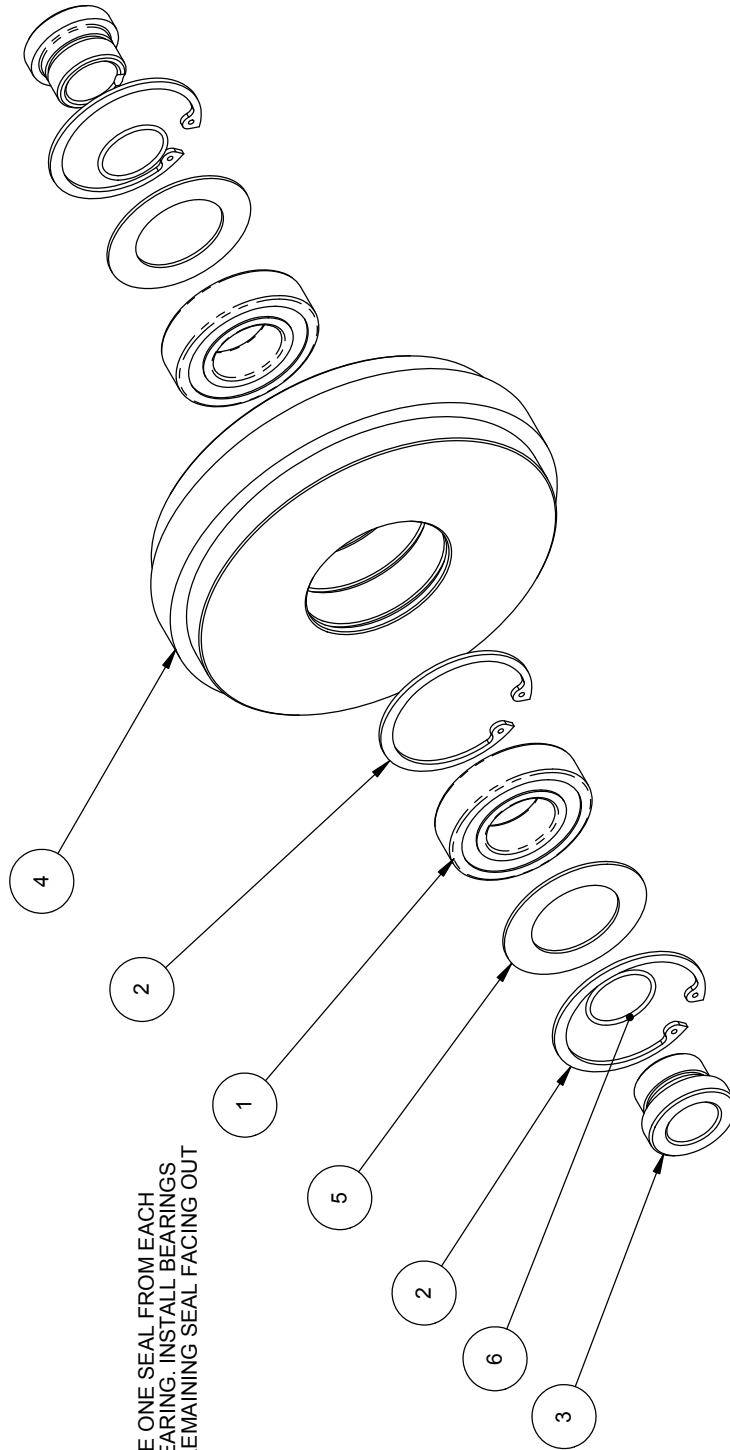
REF	QTY.	PART NO.	DESCRIPTION
1	1	02701	CYLINDER ROD
2	1	03232	O-RING, 2-014, 5/8 OD X 1/16 SECTION
3	1	02612	PISTON
4	2	03237	BACK-UP RING, 8-330N90 PARBAK
5	1	03236	O-RING, 2-330, 2-1/2 OD X 3/16 SECTION
6	1	02613	CYLINDER END
7	1	03234	O-RING, 2-228, 2-1/2 OD X 1/8 SECTION
8	1	05102	WASHER, 1/2 SAE ZINC HARDENED
9	1	05046	NUT, GRIPCO, 1/2-13 NC G5 ZINC
10	1	03259	SEAL, 1x1/8x1/8 ROD
11	1	03255	WIPER, 1 X 1-1/2 X 5/16 J-1000
12	1	05211	SNAP RING, HO-256, 2-9/16 INTERNAL ZINC
13	1	10704	CYLINDER, 2.50 X 9.43" STROKE
14	1	04555	FITTING, 6801-4-4
15	1	02616	CYLINDER ROD END
16	1	03502	BUSHING, CONNEX # 150-125-150
17	1	05044	GREASE ZERK, 1/4-28 UNF
18	1	04560	FITTING, 6400-4-4
19	1	05251	HH CAP SCREW, 1/2-20 NF X 2 G5 ZINC
20	1	05076	NUT, GRIPCO, 1/2-20 NF G5 ZINC



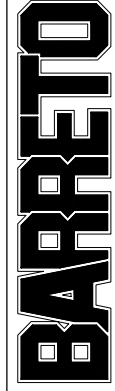
BARRETO

TITLE: CYLINDER ASSEMBLY
 2.5 X 9.43" STROKE
 PRODUCT LINE: TRACK TRENCHER
 SCALE: 1:4
 SHEET 1 OF 1
 DATE: 11/13/06
 DWG# 00303

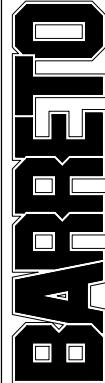
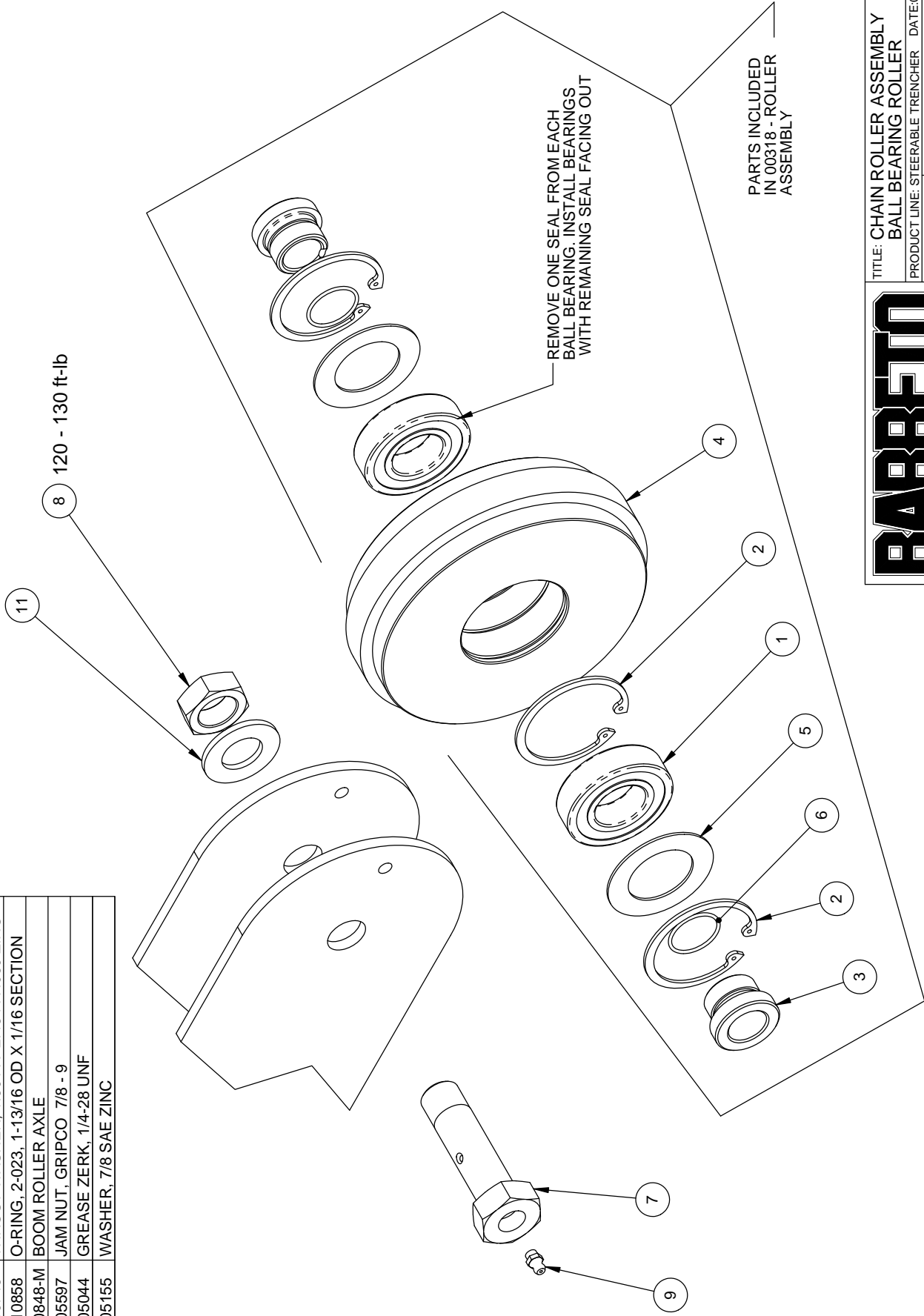
REF	QTY.	PART NO.	DESCRIPTION
1	2	03280	BALL BEARING, SKF 6206
2	3	10742	SNAP RING, HO-244, 2-7/16 INTERNAL
3	2	10743	SPACER
4	1	02621-B	CHAIN ROLLER, BALL BRG
5	2	10745	THRUST WASHER, 1.501 X 2.434 X .060 ZINC
6	2	10858	O-RING, 2-023, 1-13/16 OD X 1/16 SECTION



REMOVE ONE SEAL FROM EACH
BALL BEARING. INSTALL BEARINGS
WITH REMAINING SEAL FACING OUT



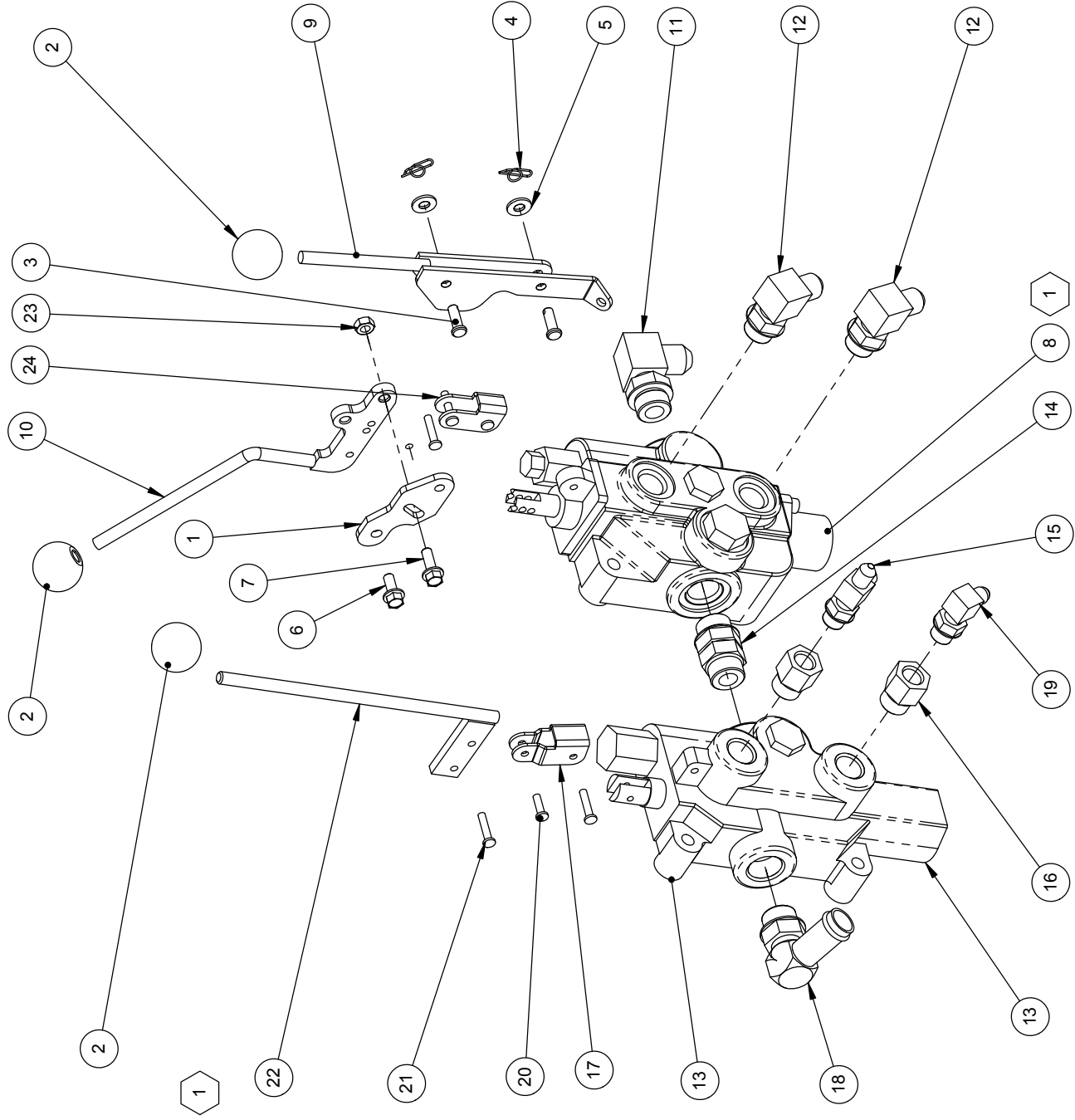
REF	QTY.	PART NO.	DESCRIPTION
1	2	03280	BALL BEARING, SKF 6206
2	3	10742	SNAP RING, HO-244, 2-7/16 INTERNAL
3	2	10743	SPACER
4	1	02621-B	CHAIN ROLLER, BALL BRG
5	2	10745	THRUST WASHER, 1.501 X 2.434 X .060 ZINC
6	2	10858	O-RING, 2-023, 1-13/16 OD X 1/16 SECTION
7	1	10848-M	BOOM ROLLER AXLE
8	1	05597	JAM NUT, GRIPCO 7/8 - 9
9	1	05044	GREASE ZERK, 1/4-28 UNF
11	1	05155	WASHER, 7/8 SAE ZINC



TITLE: CHAIN ROLLER ASSEMBLY
 BALL BEARING ROLLER
 PRODUCT LINE: STEERABLE TRENCHER DATE: 08/05
 SCALE: 1:3
 SHEET 1 OF 1 DWG# 00318-K2

REF	QTY.	PART NO.	DESCRIPTION
1	1	10337	VALVE ROCKER
2	3	03026	NOB, 5/16-NC
3	2	10507	CLEVIS PIN, 1/4 X 3/4
4	2	05038	RUE RING COTTER #8
5	2	05081	WASHER, 1/4 SAE ZINC
6	1	05069	WHIZ LOCK, 1/4-20 NC X 5/8 ZINC
7	1	05049	WHIZ LOCK, 1/4-20 NC X 3/4 ZINC
8	1	04404	VALVE, PRINCE RD4100, 3000 PSI
9	1	10335	VALVE ENGAGE LEVER
10	1	10330	VALVE LEVER
11	1	04211	FITTING, 6801-8-10
12	2	04554	FITTING, 6801-8-8
13	1	04512	VALVE RD-2508-T4
14	1	04521	FITTING, 6407-10-10
15	1	04564	FITTING, 6804-4-6-4
16	2	04529	FITTING, 6410-8-6
17	1	03509	VALVE LINK W/PINS
18	1	04523	FITTING, 4601-12-10
19	1	04527-01	FITTING, 6801-4-6
20	1	03509S	LEVER PIN
21	5	03509L	SPOOL PIN
22	1	11205	CYLINDER VALVE LEVER, 8"
23	1	10773	NUT, GRIPCO, 1/4-20 NC G5 ZINC
24	1	03521	VALVE LINK KIT W/ PINS

1 04404 VALVE USED ON 13 & 16 HP MODELS
04509 VALVE USED ON 18 HP MODELS



TITLE: VALVE ASSEMBLY

PRODUCT LINE: ST, 13TK, 16TK

DATE: 08/05

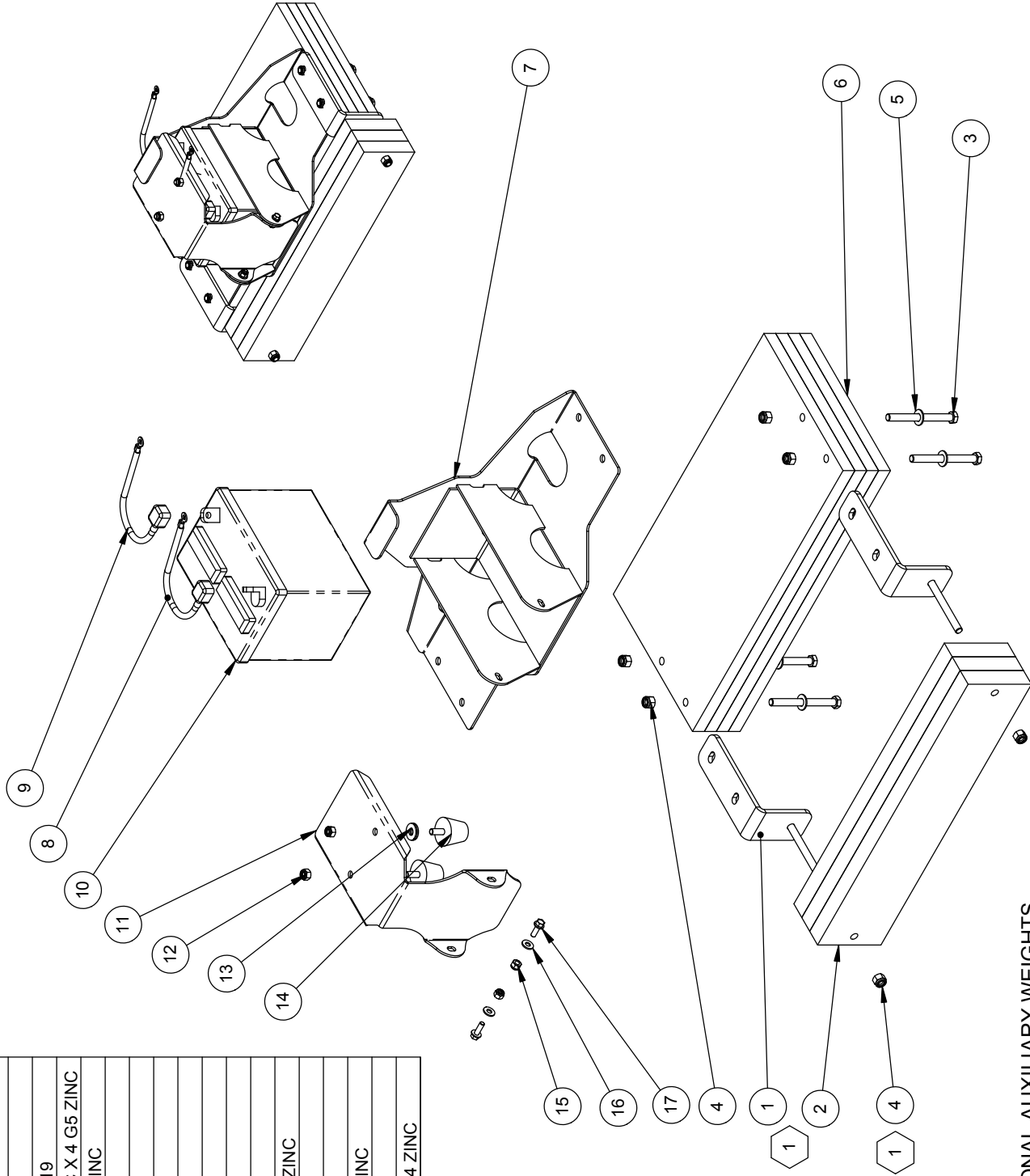
SCALE: 1:4

DWG# 00322

SHEET 1 OF 1

BARRETO

REF	QTY.	PART NO.	DESCRIPTION
1	2	11457	WEIGHT HANGER
2	3	11456	AUXILIARY WEIGHT, 1X4X19
3	4	10757	HH CAP SCREW, 3/8-16 NC X 4 G5 ZINC
4	6	05073	NUT, NYLOCK, 3/8-16 NC ZINC
5	4	05101	WASHER, 3/8 SAE ZINC
6	4	11634	WEIGHT, 3/4 X 10
7	1	11539	BATTERY MOUNT
8	1	11321	BATTERY CABLE, POS
9	1	11322	BATTERY CABLE, NEG
10	1	11537	BATTERY, GT-X U1 300
11	1	11542	BATTERY CAP, W/ PAD
12	2	05273	NUT, NYLOCK, 5/16-18 NC ZINC
13	4	10615	WASHER, 5/16 USS ZINC
14	2	11258	RUBBER BUMPER
15	2	05096	NUT, NYLOCK, 1/4-20 NC ZINC
16	2	05081	WASHER, 1/4 SAE ZINC
17	2	05049	WHIZ LOCK, 1/4-20 NC X 3/4 ZINC



1 PARTS INCLUDED WITH OPTIONAL AUXILIARY WEIGHTS
 PART NUMBER A1400 - USED WITH 42" & 48" BOOMS

BARRETO

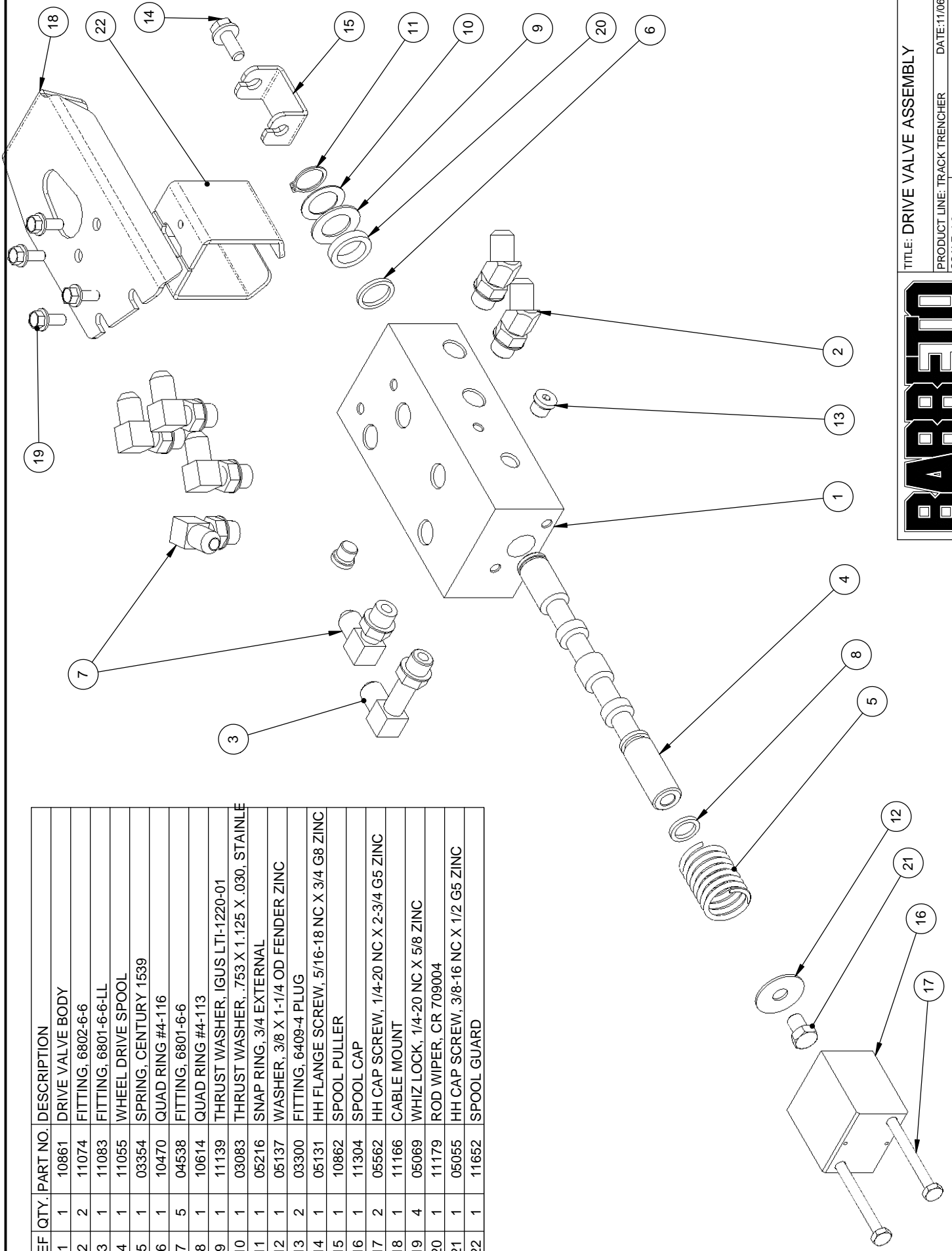
TITLE: BATTERY & WEIGHT OPTIONS

PRODUCT LINE: TRACK TRENCHERS DATE: 11/08

SCALE: 1:8 DWG# 00326

SHEET 1 OF 1

REF	QTY	PART NO.	DESCRIPTION
1	1	10861	DRIVE VALVE BODY
2	2	11074	FITTING, 6802-6-6
3	1	11083	FITTING, 6801-6-6-LL
4	1	11055	WHEEL DRIVE SPOOL
5	1	03354	SPRING, CENTURY 1539
6	1	10470	QUAD RING #4-116
7	5	04538	FITTING, 6801-6-6
8	1	10614	QUAD RING #4-113
9	1	11139	THRUST WASHER, IGUS LTI-1220-01
10	1	03083	THRUST WASHER, .753 X 1.125 X .030, STAINLE
11	1	05216	SNAP RING, 3/4 EXTERNAL
12	1	05137	WASHER, 3/8 X 1-1/4 OD FENDER ZINC
13	2	03300	FITTING, 6409-4 PLUG
14	1	05131	HH FLANGE SCREW, 5/16-18 NC X 3/4 G8 ZINC
15	1	10862	SPOOL PULLER
16	1	11304	SPOOL CAP
17	2	05562	HH CAP SCREW, 1/4-20 NC X 2-3/4 G5 ZINC
18	1	11166	CABLE MOUNT
19	4	05069	WHIZ LOCK, 1/4-20 NC X 5/8 ZINC
20	1	11179	ROD WIPER, CR 709004
21	1	05055	HH CAP SCREW, 3/8-16 NC X 1/2 G5 ZINC
22	1	11652	SPOOL GUARD

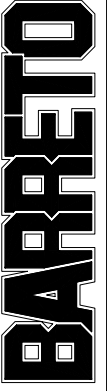


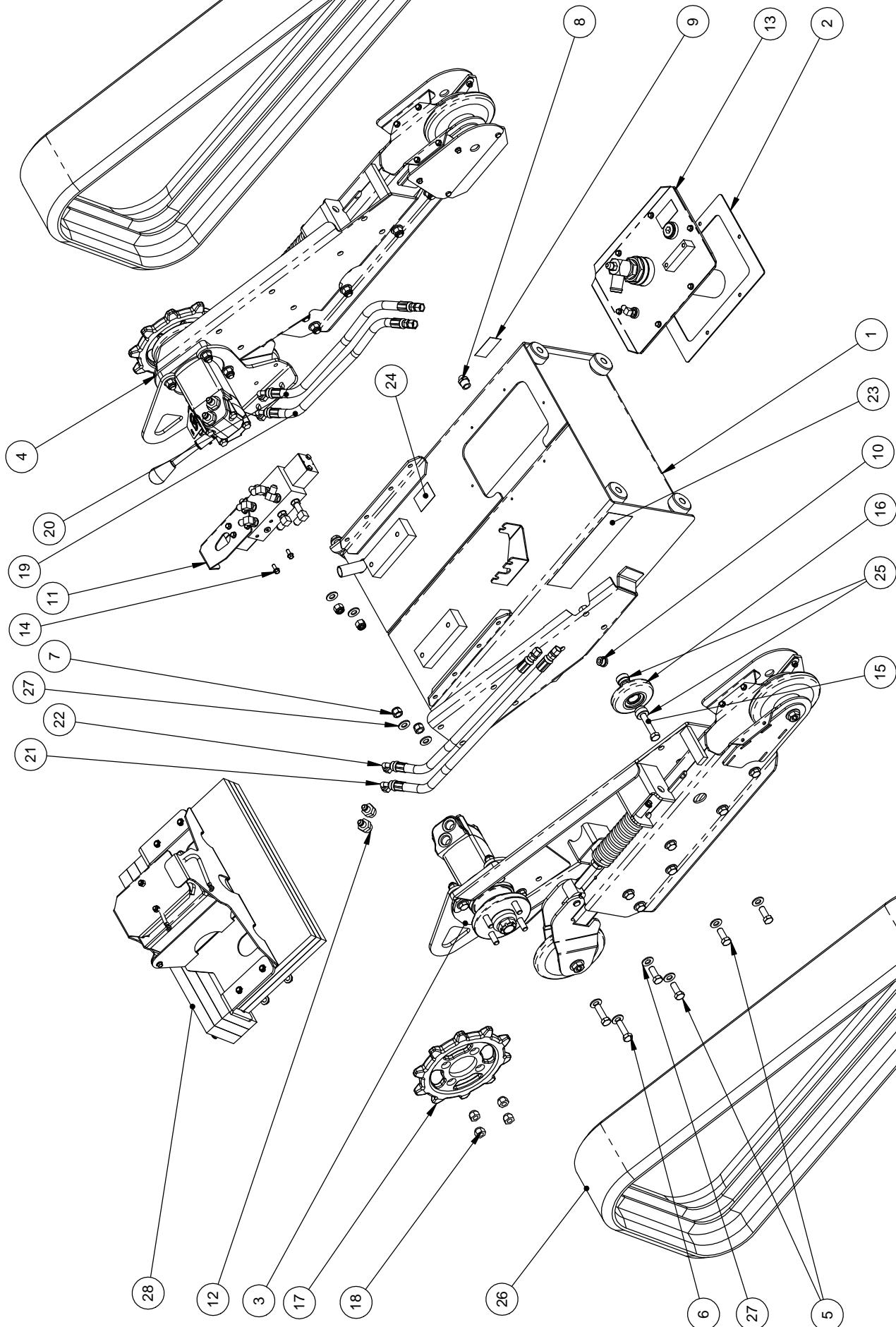
TITLE: DRIVE VALVE ASSEMBLY

PRODUCT LINE: TRACK TRENCHER DATE: 11/06

SCALE: 1:3 DWG#: 00331

SHEET 1 OF 1





TITLE: BODY / TRACK ASSEMBLY

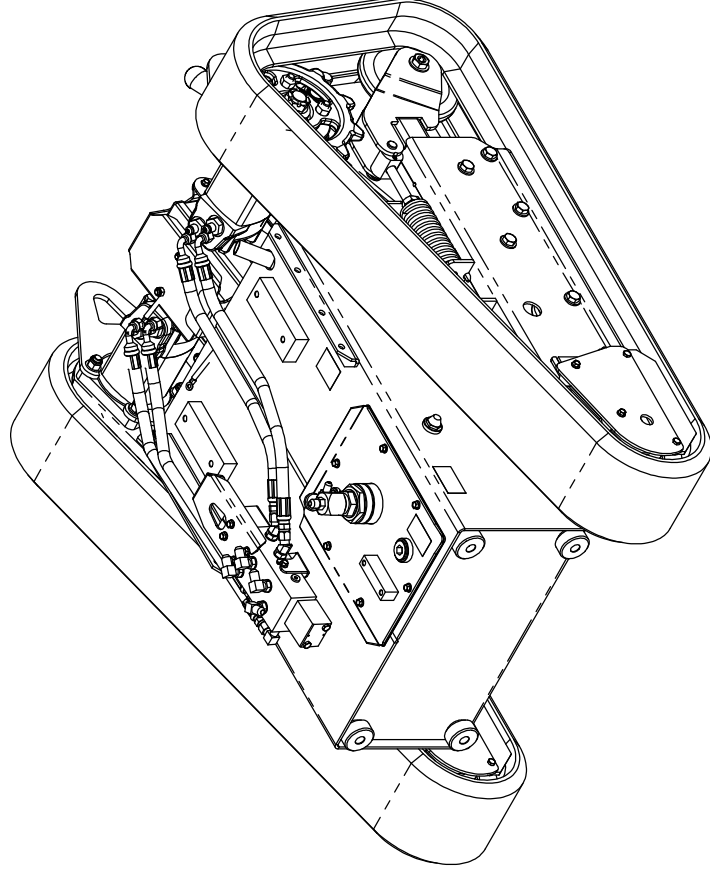
PRODUCT LINE: TRACK TRENCHER DATE: 11/06

SCALE: 1:12 DWG#: 00327

SHEET 1 OF 2

BARRETO

REF. QTY.	PART NO.	DESCRIPTION
1	01270	BODY, TRACK TRENCHER
2	11178	LID GASKET
3	00334	CARRIAGE, RIGHT
4	00333	CARRIAGE, LEFT
5	05323	HH CAP SCREW, 1/2-13 NC X 1-1/4 G5 ZINC
6	05129	HH CAP SCREW, 1/2-13 NC X 1-3/4 G5 ZINC
7	05098	NUT, NYLOCK, 1/2-13 NC ZINC
8	03503	SIGHT GAUGE
9	03040-57	DECAL, "HYDRAULIC OIL LEVEL"
10	10361	FITTING, 6409-8 PLUG
11	00331	DRIVE VALVE ASSEMBLY
12	10800	HYDRAULIC FITTING, 6400-0-6-10
13	00373	LID ASSEMBLY
14	05069	WHIZ LOCK, 1/4-20 NC X 5/8 ZINC
15	11447	HH CAP SCREW, 1/2-13 NC X 2-1/2 G5 ZN
16	00366	MID ROLLER ASSY
17	10874	TRACK SPROCKET
18	05042	NUT, LUG, 1/2-20 NF
19	11212	HOSE, TRACK DRIVE, LEFT INNER
20	11212	HOSE, TRACK DRIVE, LEFT OUTER
21	11169	HOSE, TRACK DRIVE, RT OUTSIDE
22	11214	HOSE, TRACK DRIVE, RT INNER
23	04450-04	DECAL, 1624-TK, OR 04450-03 "1324-TK"
24	03341-18	DECAL, TRENCHER S/N
25	11155	ROLLER SPACER, SHORT
26	10964	TRACK, 180 X 36 X 72
27	05102	WASHER, 1/2 SAE ZINC HARDENED
28	00326	WEIGHT & BATTERY OPTIONS



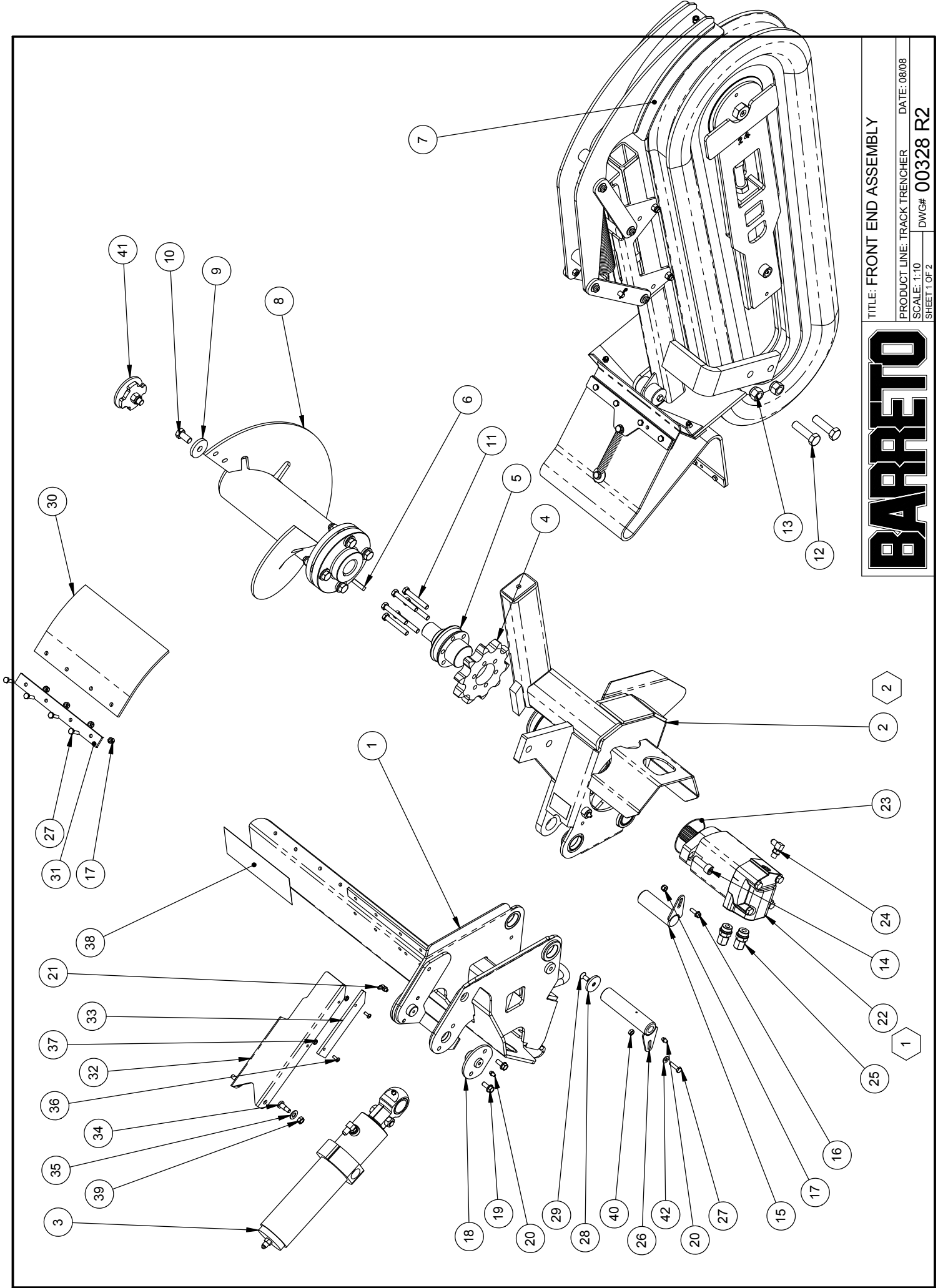
TITLE: BODY / TRACK ASSEMBLY

PRODUCT LINE: TRACK TRENCHER DATE: 11/06

SCALE: 1:12 DWG# 00327

SHEET 2 OF 2

BARRETO

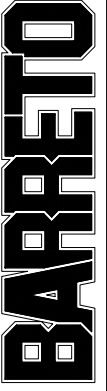


TITLE: FRONT END ASSEMBLY

PRODUCT LINE: TRACK TRENCHER DATE: 08/08

SCALE: 1:10 DWG# 00328 R2

SHEET 1 OF 2

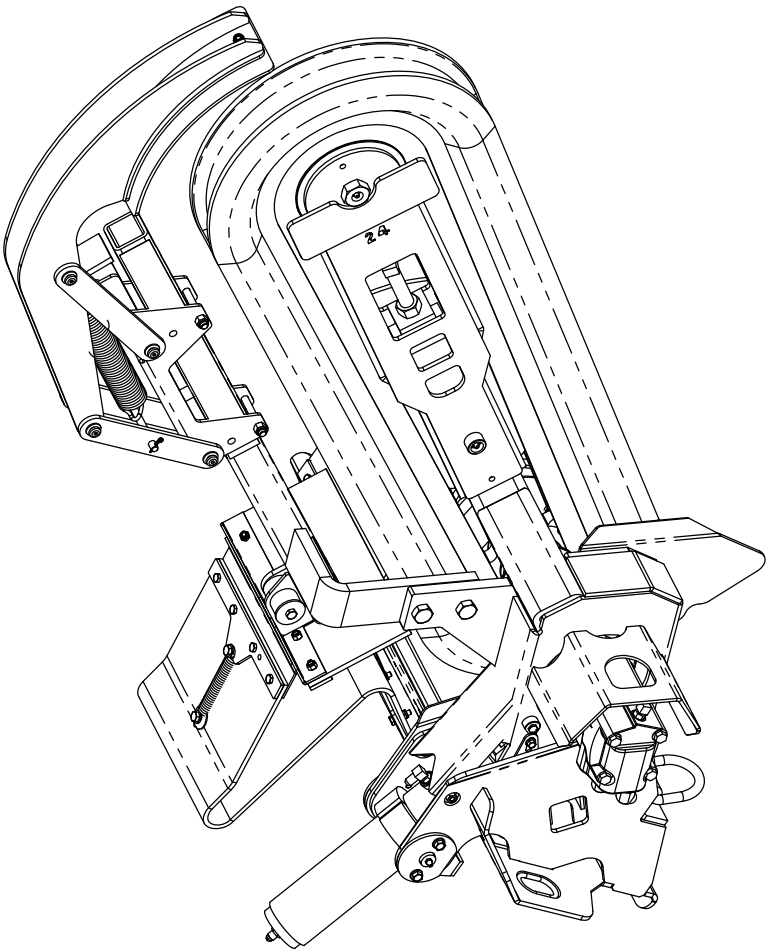


REF	QTY.	PART NO.	DESCRIPTION
1	1	10850 R4	FRONT END
2	1	00299 R1	MOTOR HOUSING ASSEMBLY
3	1	00303	CYLINDER ASSEMBLY
4	1	02710B	10T SPROCKET
5	1	11219	AUGER DRIVER
6	1	05015	KEY, 5/16 X 5/16 X 1-1/4
7	1	00368 R1	CHAIN / BOOM / GUARD OPTIONS
8	1	00372	AUGER ASSEMBLY
9	1	10037	AUGER KEEPER
10	1	05067	HH CAP SCREW, 1/2-13 NC X 1 G5 ZINC
11	6	05289	HH CAP SCREW, 3/8-24 NF X 2-1/2 G8 ZINC
12	2	05332	HH CAP SCREW, 5/8-11 NC X 2-1/4 G5 ZINC
13	2	05099	NUT, NYLOCK, 5/8-11 NC ZINC
14	2	05586	SH CAP SCREW, 1/2-13 NC X 1-1/2 ZINC
15	1	10546	CYLINDER ROD PIN
16	1	05049	WHIZ LOCK, 1/4-20 NC X 3/4 ZINC
17	5	05096	NUT, NYLOCK, 1/4-20 NC ZINC
18	2	10281	CYLINDER PIN
19	4	05140	WHIZ LOCK, 5/16-18 NC X 3/4 ZINC
20	2	05044	GREASE ZERK, 1/4-28 UNF
21	1	05307	GREASE ZERK, 1/4-28 UNF 90°
22	1	10683	CHAIN MOTOR 11.9 CI
23	1	10689	O-RING, 2-042, 3-3/8 OD X 1/16 SECTION
24	1	04555	FITTING, 6801-4-4
25	2	04557	FITTING, 6802-8-10
26	1	10728-5.4	PIVOT PIN, 5-3/8
27	5	05237	HH CAP SCREW, 1/4-20 NC X 1 G5 ZINC
28	1	10626	PIVOT PIN WASHER
29	1	10627	C-SINK HD CAP SCR .31 X .75 NC Z
30	1	03906	AUGER FLAP
31	2	11962	FLAP CLAMP
32	1	10925	ROD GUARD
33	1	10926	GUARD SLIDER
34	2	05109	BH SHOULDER SCREW, 3/8 X 1/2
35	2	05101	WASHER, 3/8 SAE ZINC
36	2	05233	SCREW #10-24 X 1/2 PPH
37	2	05265	NUT, #10-24 NC
38	1	03341-05	DECAL; DANGER, CHAIN
39	2	05264	NUT, 5/16-18 NC ZINC
40	1	10773	NUT, GRIPCO, 1/4-20 NC G5 ZINC
41	1	11642	AUGER CAP
42	1	05081	WASHER, 1/4 SAE ZINC

2

13 HP MODELS USE 9.6 CI CHAIN MOTOR PN 10684
23 HP MODELS USE 14.9 CI CHAIN MOTOR PN 10621

EARLY MODELS USE 00299 MOTOR HOUSING ASSEMBLY
CURRENT MODELS USE 00299R MOTOR HOUSING ASSEMBLY



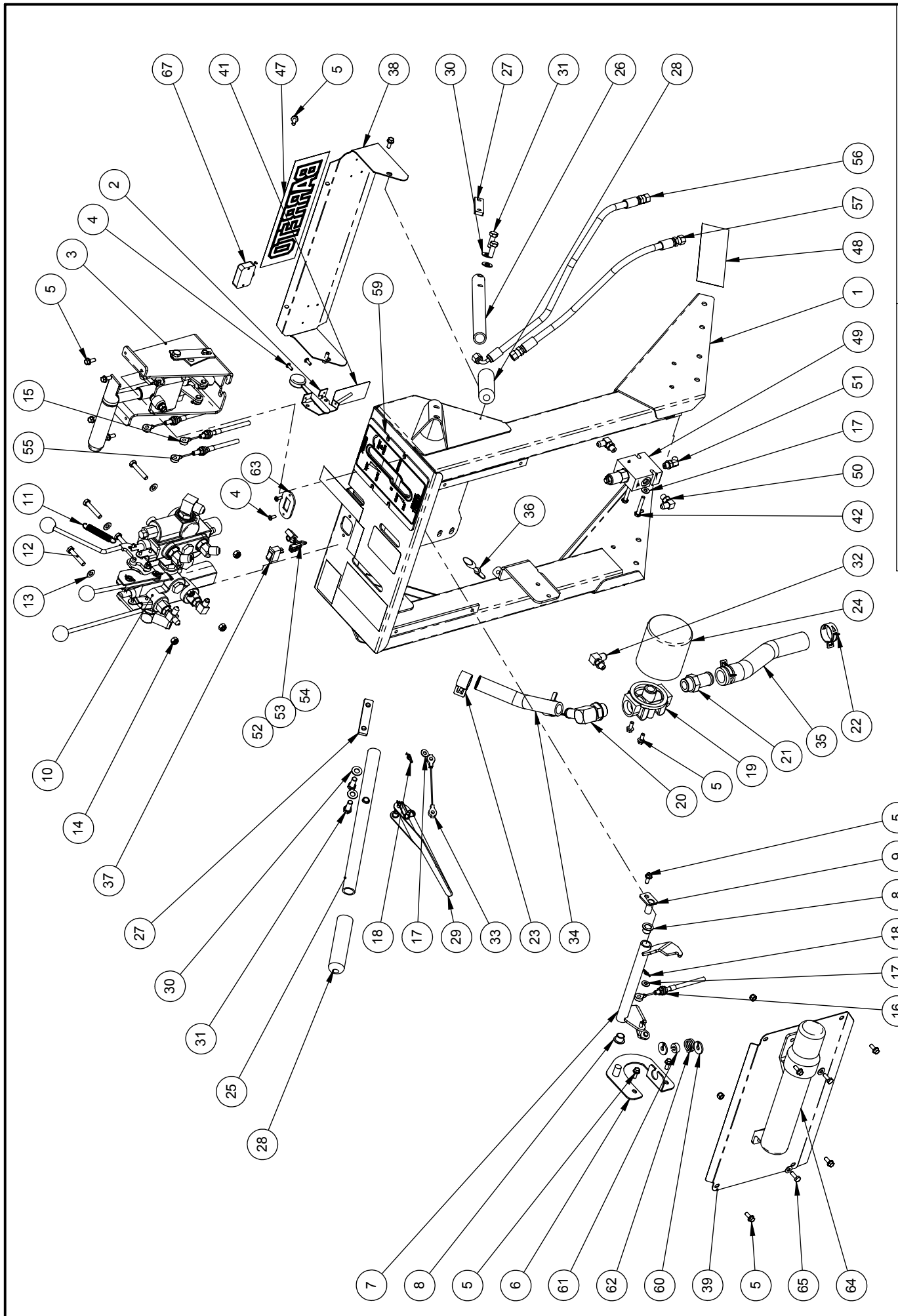
1

BARRETO

TITLE: FRONT END ASSEMBLY

PRODUCT LINE: TRACK TRENCHER DATE: 11/08

SCALE: 1:10 DWG# 00328 R2
SHEET 2 OF 2

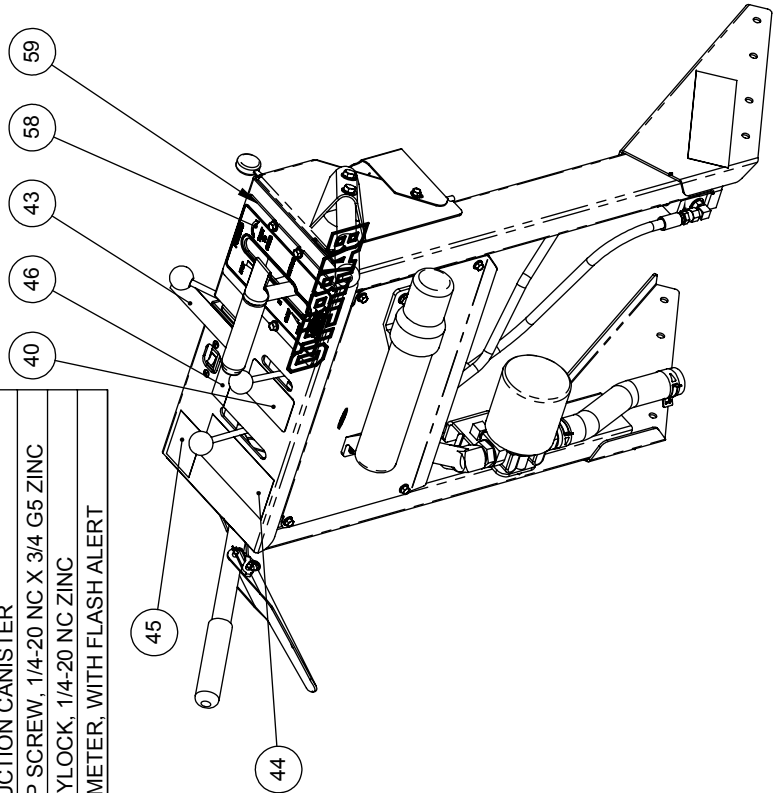


TITLE: CONTROL ASSEMBLY
 13/16 HP TK
 PRODUCT LINE: 13/16HP TRACK
 SCALE: 1:10
 SHEET 1 OF 2

BARRETO

DATE: 4/06
 DWG# 00329B

REF QTY.	PART NO.	DESCRIPTION	REF QTY.	PART NO.	DESCRIPTION
1	10843	CONTROL POD	47	03040-02	DECAL, "BARRETO", 3-1/2 X 11-1/4
2	03515-T	THROTTLE CABLE	48	03040-11	DECAL, "BARRETO", 2-3/16 X 7-3/8
3	00362-TS	SPEED LEVER ASSEMBLY	49	04508-R	C-BALANCE VALVE, SINGLE
4	05233	SCREW #10-24 X 1/2 PPH	50	04555	FITTING, 6801-4-4
5	05069	WHIZ LOCK, 1/4-20 NC X 5/8 ZINC	51	04218	FITTING, 6802-4-4
6	11450	LINKAGE MOUNT	52	03806	QUICK-SPLICE
7	10331	VALVE LINKAGE	53	06421	GROUND WIRE, IGNITION SWITCH
8	03501	BUSHING, IGUS MFI-0810-08	54	10603	IGNITION WIRE, 912
9	10346	LINKAGE PIVOT	55	03514	CABLE, 40"
10	00322T	CONTROL VALVE ASSEMBLY, TRACK	56	10829	HOSE, VALVE A / C-BAL PORT 3
11	10548	SPRING LEE LE-055E-6MW	57	10830	HOSE, VALVE B / C-BAL PORT 2
12	05054	HH CAP SCREW, 5/16-18 NC X 1-3/4 G5 ZINC	58	04450-08	DECAL, SPEED CONTROL
13	05068	WASHER, 5/16 SAE ZINC	59	11317	SPEED SLOT, T HANDLE
14	05273	NUT, NYLOCK, 5/16-18 NC ZINC	60	11452	CABLE COLLAR
15	03086	CABLE, 45"	61	11451	PRE-LOAD SPACER
16	03045	CABLE, 47"	62	11453	SPRING CENTURY LL-49
17	05081	WASHER, 1/4 SAE ZINC	63	11627R	IGNITION SWITCH PLATE
18	05038	RUE RING COTTER #8	64	12090	INSTRUCTION CANISTER
19	04212-OR-TR	FILTER HEAD, #12 O-RING, TAP RIGHT	65	05554	HH CAP SCREW, 1/4-20 NC X 3/4 G5 ZINC
20	04202	FITTING, 4601-12-12	66	05096	NUT, NYLOCK, 1/4-20 NC ZINC
21	04217	FITTING, 4604-16-12	67	03009 R1	HOUR METER, WITH FLASH ALERT
22	05225	CLAMP, 1-1/2" HOSE, CTB-36 ST			
23	05008	CLAMP, 1" HOSE, CTB-29			
24	03951	FILTER, HYDRAULIC OIL, WITH BY-PASS			
25	01402-L	HANDLEBAR, LEFT			
26	01402-R	HANDLE BAR, RH			
27	01403	HANDLE BAR SLUG			
28	03032	HANDLE BAR GRIPS (SOLD IN PAIRS)			
29	01503K	CLUTCH LEVER KIT			
30	05101	WASHER, 3/8 SAE ZINC			
31	05059	HH CAP SCREW, 3/8-16 NC X 1 G5 ZINC			
32	04526-01	FITTING, 6801-6-4			
33	11280	CABLE, 5"			
34	10763	HOSE, VALVE / FILTER			
35	10764	HOSE, FILTER / TANK			
36	06423	STARTER GROMMET			
37	06420	ROCKER SWITCH, IGNITION OFF/ON			
38	10774	HOSE COVER			
39	10776	BACK COVER			
40	04440-04	DECAL; DIG CHAIN ON/OFF			
41	04440-05	DECAL, ENGINE THROTTLE			
42	05556	HH CAP SCREW, 1/4-20 NC X 1-3/4 G5 ZINC			
43	03341-10	DECAL, DIG CHAIN "FWD/NREV"			
44	03341-12	DECAL, "DIGGING BOOM, UP-DOWN"			
45	03341-24	DECAL, "WARNING - NO PARKING BRAKE"			
46	03341-07	DECAL, "IGNITION OFF/ON"			



BARRETO

TITLE: CONTROL ASSEMBLY

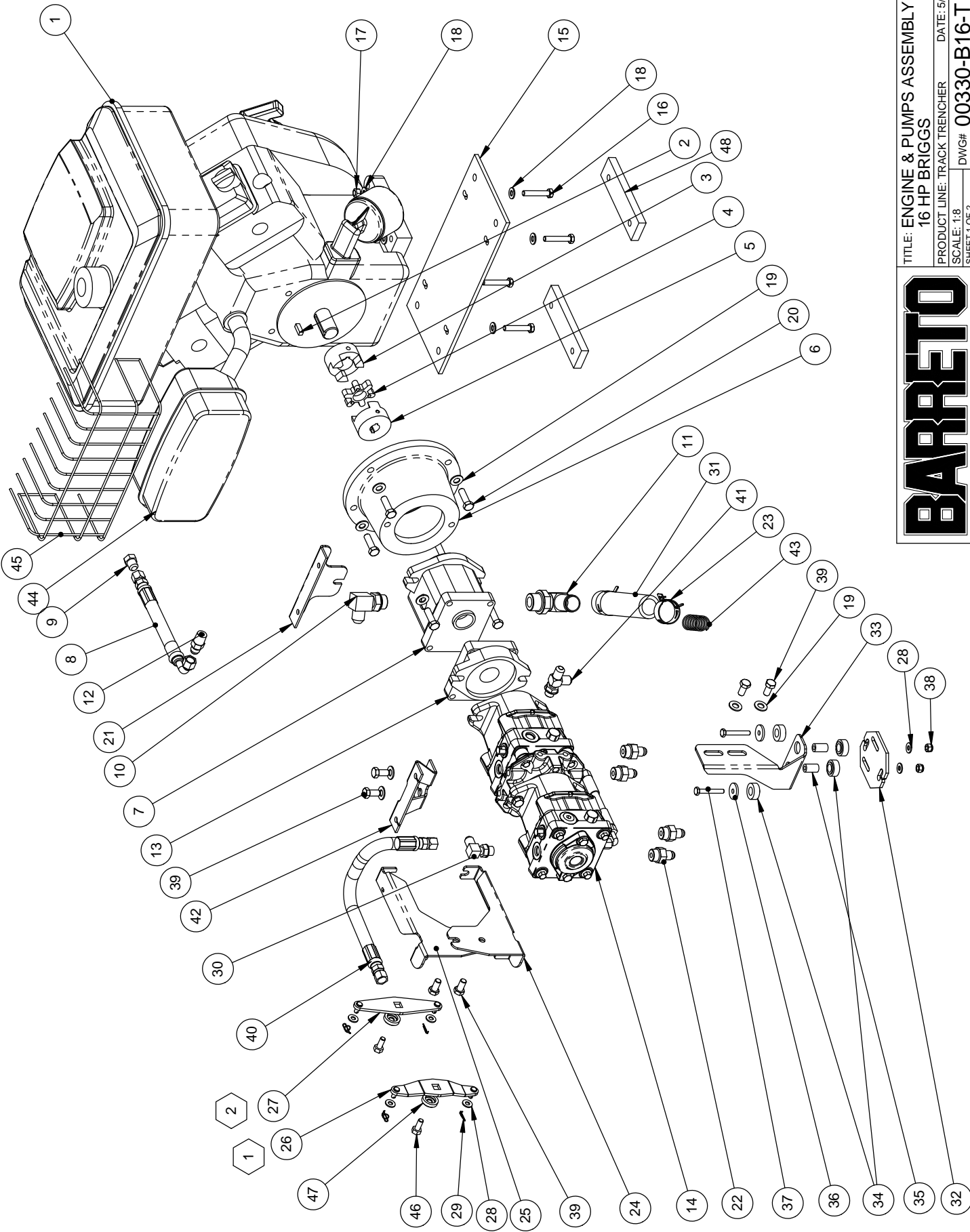
PRODUCT LINE: 13/16HP TRACK

SCALE: 1:10

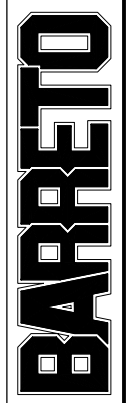
SHEET 2 OF 2

DWG# 00329B

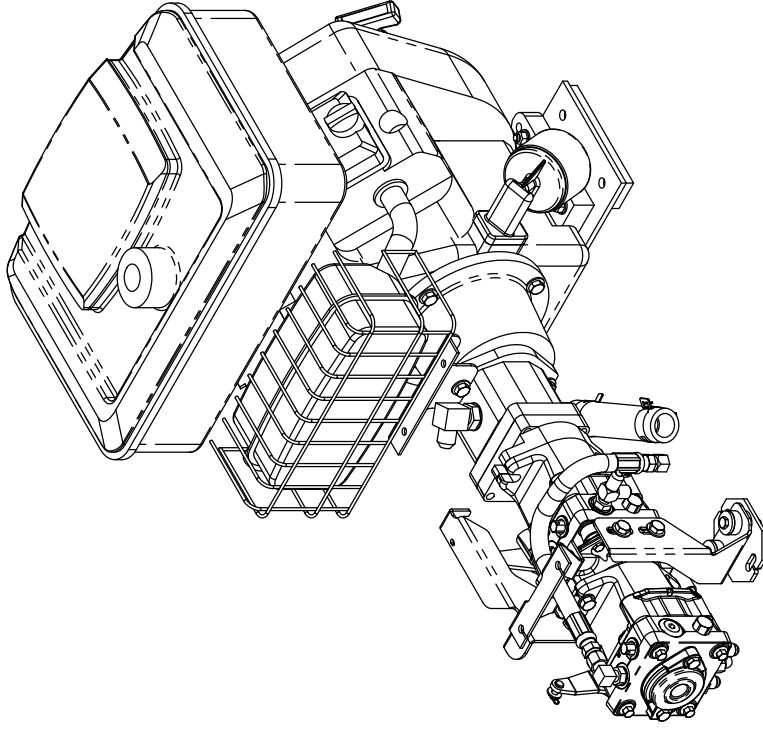
DATE: 4/06



TITLE: ENGINE & PUMPS ASSEMBLY
 16 HP BRIGGS
 PRODUCT LINE: TRACK TRENCHER DATE: 5/06
 SCALE: 1:8 DWG#: 00330-B16-T
 SHEET 1 OF 2



REF	QTY.	PART NO.	DESCRIPTION	REF	QTY.	PART NO.	DESCRIPTION
1	1	07001	ENGINE, 16 HP BRIGGS	44	1	07000-10	MUFFLER
2	1	05014	KEY, 1/4 X 1/4 X 3/4	45	1	07000-11	MUFFLER GUARD
3	1	03023	JAW COUPLER, 1" BORE L095	46	2	11632	HEX CAP SCREW, M8 X 1.25
4	1	11633	SPIDER, HYTREL, L095	47	2	11675	COLLAR
5	1	03021	JAW COUPLER, PUMP, 5/8" BORE	48	2	01219	ENGINE SPACER, 18 HP HONDA
6	1	02016	PUMP ADAPTER				
7	1	04503	PUMP SNP2-11-HSTAT				
8	1	10588	ENGINE DRAIN HOSE				
9	1	04539	FITTING, 2408-6				
10	1	04211	FITTING, 6801-8-10				
11	1	04530	FITTING, 4601-16-12				
12	1	10863	HYD ADAPTER 2404-6-6				
13	1	04504	ADAPT PLATE KIT				
14	1	11335	HYD-STAT, TANDEM TU 12CC				
15	1	01218	ENGINE MOUNT PLATE, BRIGGS				
16	4	05245	HH CAP SCREW, 5/16-24 NF X 1-3/4 G5 ZINC				
17	4	10462	NUT, GRIPCO, 5/16-24 NF G5 ZINC				
18	8	05068	WASHER, 5/16 SAE ZINC				
19	10	05101	WASHER, 3/8 SAE ZINC				
20	6	05091	HH CAP SCREW, 3/8-16 NC X 1-1/4 G5 ZINC				
21	1	10545	PUMP COVER MOUNT				
22	4	04226	FITTING, 6400-6-8				
23	2	05225	CLAMP, 1-1/2" HOSE, CTB-36 ST				
24	1	11303-L	CABLE BRACKET				
25	1	11303-R	CABLE BRACKET				
26	1	11629	CABLE ARM, FRONT, SQ.				
27	1	11628	CABLE ARM, REAR, SQ.				
28	6	05081	WASHER, 1/4 SAE ZINC				
29	4	05038	RUE RING COTTER #8				
30	1	04538	FITTING, 6801-6-6				
31	1	10762-B	HOSE, SUMP, B-16				
32	1	11111	PUMP SUPPORT MOUNT				
33	1	11112	PUMP SUPPORT				
34	4	11113	CUSHION				
35	2	11114	CUSHION SPACER				
36	2	11115	CUSHION WASHER				
37	2	05556	HH CAP SCREW, 1/4-20 NC X 1-3/4 G5 ZINC				
38	2	05096	NUT, NYLOCK, 1/4-20 NC ZINC				
39	6	05057	HH CAP SCREW, 3/8-16 NC X 3/4 G5 ZINC				
40	1	11081	HOSE, HYDRO-STAT SUCTION				
41	1	04228	FITTING, 6804-6-6-6				
42	1	11354	PUMP COVER MOUNT				
43	1	04511	SPRING, 1" OD				



1 EARLY MODELS USE CABLE ARMS 11339 & 11340 - FOR
 2 ROUND CONTROL SHAFT

1
 2

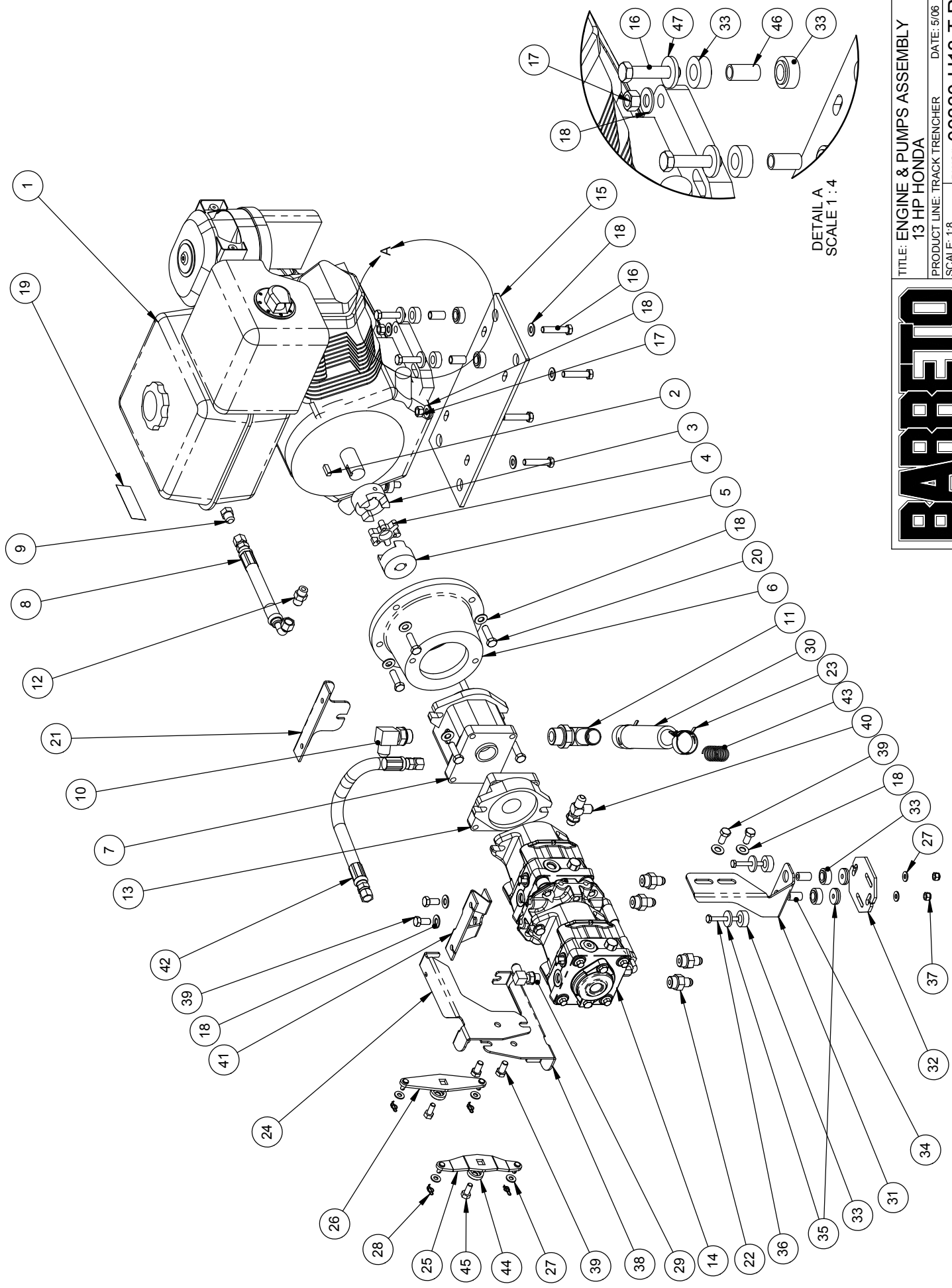
BARRETO

TITLE: ENGINE & PUMPS ASSEMBLY
 16 HP BRIGGS

PRODUCT LINE: TRACK TRENCHER DATE: 5/06

SCALE: 1:8 DWG#: 00330-B16-T

SHEET 2 OF 2



DETAIL A
SCALE 1:4

BARRETO

TITLE: ENGINE & PUMPS ASSEMBLY

13 HP HONDA

PRODUCT LINE: TRACK TRENCHER

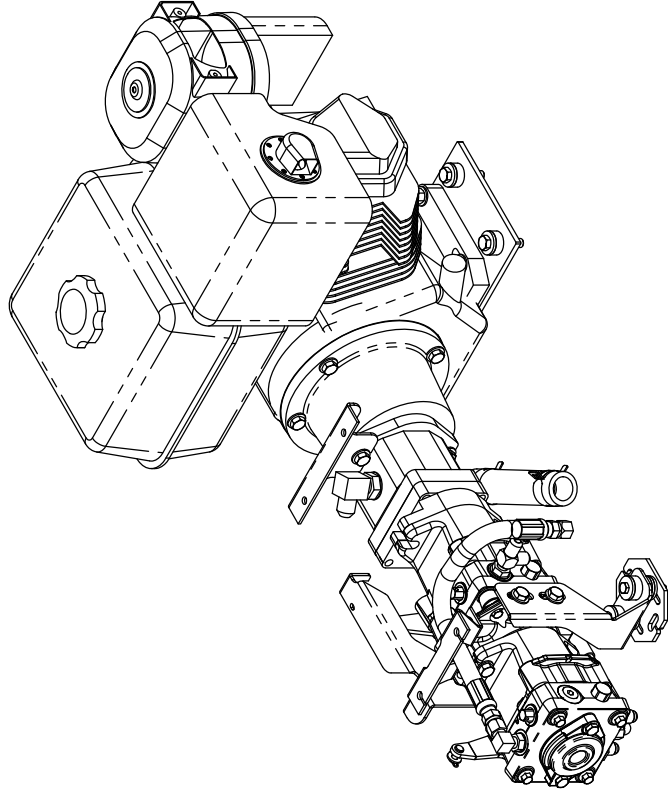
DATE: 5/06

SCALE: 1:8

SHEET 1 OF 2

DWG# 00330-H13-T R1

REF	QTY.	PART NO.	DESCRIPTION
1	1	07005	ENGINE, 13 HP HONDA GX390
2	1	05014	KEY, 1/4 X 1/4 X 3/4
3	1	03023	JAW COUPLER, 1" BORE L095
4	1	03022	SPIDER, RUBBER
5	1	03021	JAW COUPLER, PUMP, 5/8" BORE
6	1	02016	PUMP ADAPTER
7	1	04507	PUMP SNP2-8.5-HSTAT
8	1	10588	ENGINE DRAIN HOSE
9	1	04539	FITTING, 2408-6
10	1	04211	FITTING, 6801-8-10
11	1	04530	FITTING, 4601-16-12
12	1	04536	FITTING, 9067-6-12METRIC
13	1	04504	ADAPT PLATE KIT
14	1	11335	HYD-STAT, TANDEM TU 12CC
15	1	01218-HTK	ENGINE MOUNT PLATE, HONDA 13 HP
16	8	05121	HH CAP SCREW, 3/8-16 NC X 1-3/4 G5 ZINC
17	4	05269	NUT, 3/8-16 NC GRB ZINC
18	18	05101	WASHER, 3/8 SAE ZINC
19	1	03341-07	DECAL, "IGNITION OFF/ON"
20	6	05091	HH CAP SCREW, 3/8-16 NC X 1-1/4 G5 ZINC
21	1	10545	PUMP COVER MOUNT
22	4	04226	FITTING, 6400-6-8
23	2	05225	CLAMP, 1-1/2" HOSE, CTB-36ST
24	1	11303-R	CABLE BRACKET
25	1	11629	CABLE ARM, FRONT, SQ.
26	1	11628	CABLE ARM, REAR, SQ.
27	6	05081	WASHER, 1/4 SAE ZINC
28	4	05038	RUE RING COTTER #8
29	1	04538	FITTING, 6801-6-6
30	1	10762-H	HOSE, SUMP
31	1	11112	PUMP SUPPORT
32	1	11111	PUMP SUPPORT MOUNT
33	12	12835	ENGINE CUSHION WASHER 1324TK
34	2	11114	CUSHION SPACER
35	6	11115	PUMP CUSHION WASHER
36	2	05591	HH CAP SCREW, 1/4-20 NC X 2 G5 ZINC
37	2	05096	NUT, NYLOCK, 1/4-20 NC ZINC
38	1	11303-L	CABLE BRACKET
39	6	05057	HH CAP SCREW, 3/8-16 NC X 3/4 G5 ZINC
40	1	04228	FITTING, 6804-6-6
41	1	11354	PUMP COVER MOUNT
42	1	11081	HOSE, HYDRO-STAT SUCTION
43	1	04511	SPRING, 1" OD
44	2	11675	COLLAR
45	2	11632	HEX CAP SCREW, M8 X 1.25
46	4	12834	CUSHION SPACER, .50 X .38
47	4	11115-38	CUSHION WASHER



BARRETO

TITLE: ENGINE & PUMPS ASSEMBLY

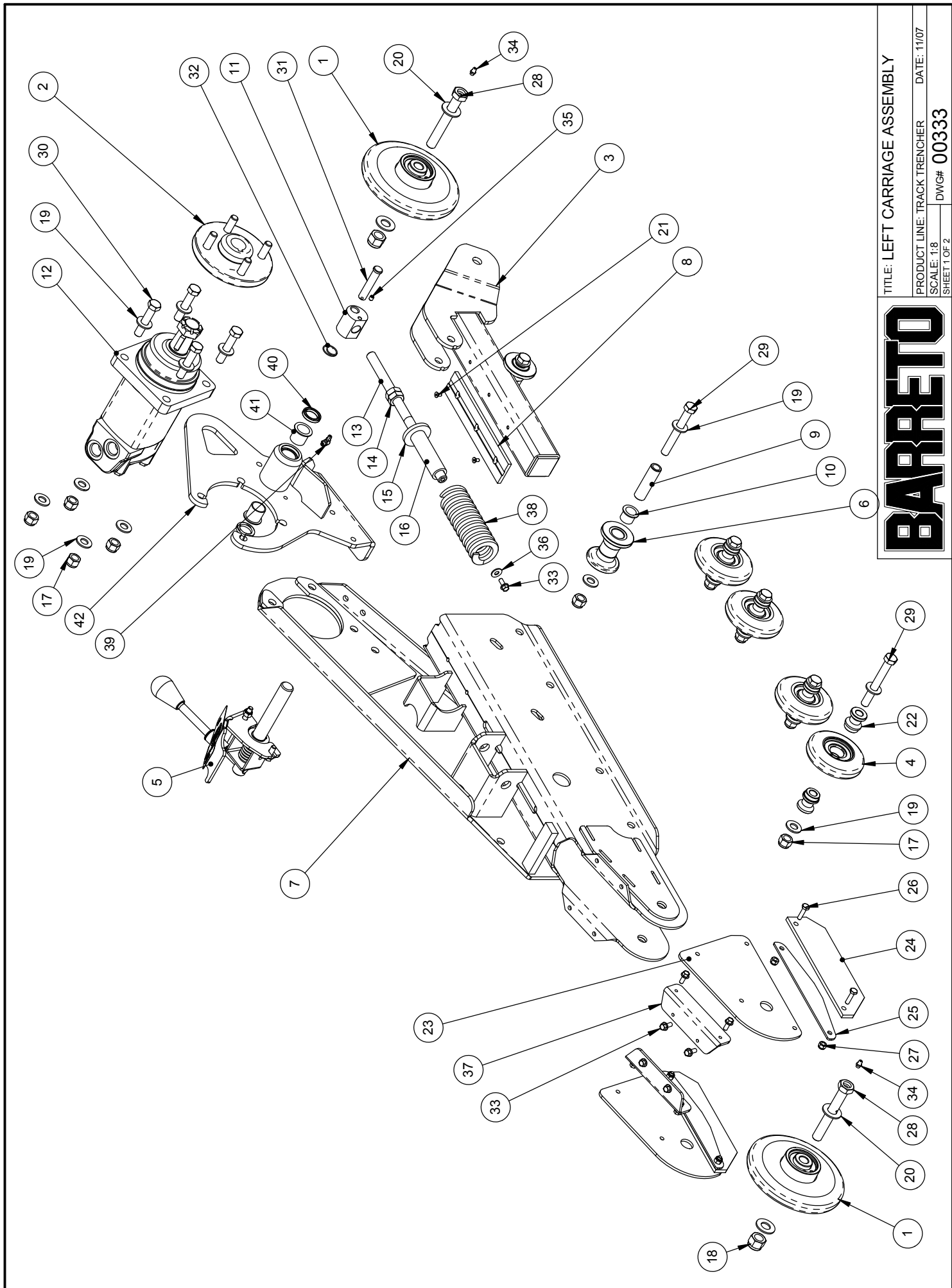
13 HP HONDA

PRODUCT LINE: STEERABLE TRENCHER DATE: 5/06

SCALE: 1:8

SHEET 2 OF 2

DWG# 00330-H13-T R1



TITLE: LEFT CARRIAGE ASSEMBLY

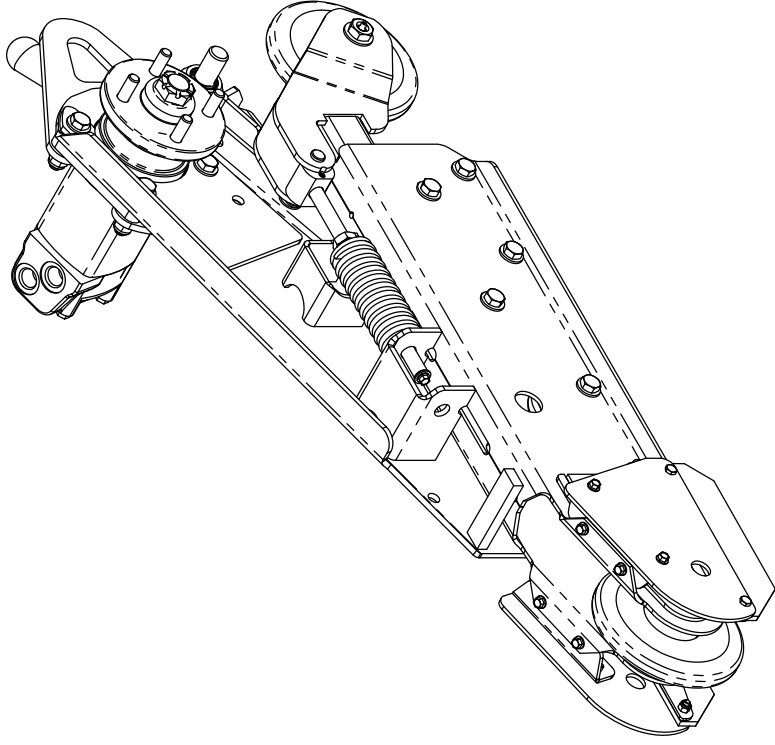
PRODUCT LINE: TRACK TRENCHER DATE: 11/07

SCALE: 1:8 DWG# 00333

SHEET 1 OF 2

BARRETO

REF	QTY.	PART NO.	DESCRIPTION
1	2	00335	IDLER ASSEMBLY
2	1	10827	WHEEL HUB, 1-1/4" TAPERED, SOLID
3	1	10876	IDLER ARM
4	4	00366	MID ROLLER ASSY
5	1	00458	PARK BRAKE ASSEMBLY
6	2	10907	ARM ROLLER
7	1	10849-L	LEFT CARRIAGE
8	1	10910	ARM SLIDER
9	2	10908	SPACER
10	4	10272	BUSHING, IGUS MFI-1214-12
11	1	11156	TENSIONER END
12	1	10845	MOTOR, EATON 24 Ci, 105-1060 W/SEAL GARD
13	1	11170	TENSIONER STUD
14	2	10707	NUT, JAM, 5/8-11 NC ZINC
15	1	11157	WASHER, TENSION SPRING
16	1	11470	SPRING GUIDE
17	10	05098	NUT, NYLOCK, 1/2-13 NC ZINC
18	2	05099	NUT, NYLOCK, 5/8-11 NC ZINC
19	20	05102	WASHER, 1/2 SAE ZINC HARDENED
20	4	05272	WASHER, 5/8 SAE ZINC HARDENED
21	2	05084	HEX SOCKET FH CAP SCREW, #10-24 X 3/8
22	8	11144	ROLLER SPACER
23	2	11247	ROLLER GUARD
24	2	11475	FLAP
25	2	11474	FLAP BACKING
26	4	05237	HH CAP SCREW, 1/4-20 NC X 1 G5 ZINC
27	4	05096	NUT, NYLOCK, 1/4-20 NC ZINC
28	2	11490	ROLLER AXLE, 5/8 X 4-1/2"
29	6	05590	HH CAP SCREW, 1/2-13 NC X 4 G5 ZINC
30	4	11447	HH CAP SCREW, 1/2-13 NC X 2-1/2 G5 ZN
31	1	05250	CLEVIS PIN, 1/2 X 2-1/2 ZINC
32	1	05039-7	CIRCLE COTTER, CC-7
33	9	05069	WHIZ LOCK, 1/4-20 NC X 5/8 ZINC
34	2	05044	GREASE ZERK, 1/4-28 UNF
35	1	05021	SET SCREW, 1/4-20 UNC X 5/16, CUP POINT
36	1	05078	WASHER, 1/4 USS ZINC
37	2	11251	ROLLER GUARD MOUNT
38	1	11674	SPRING, CENTURY D-1378
39	1	05307	GREASE ZERK, 1/4-28 UNF 90°
40	2	11711	ROD WIPER, .875 X 1.25 X .188
41	2	11680	BUSHING, IGUS LFI-1416-16
42	1	11462-L	WEIGHT MOUNT, E-BRAKE

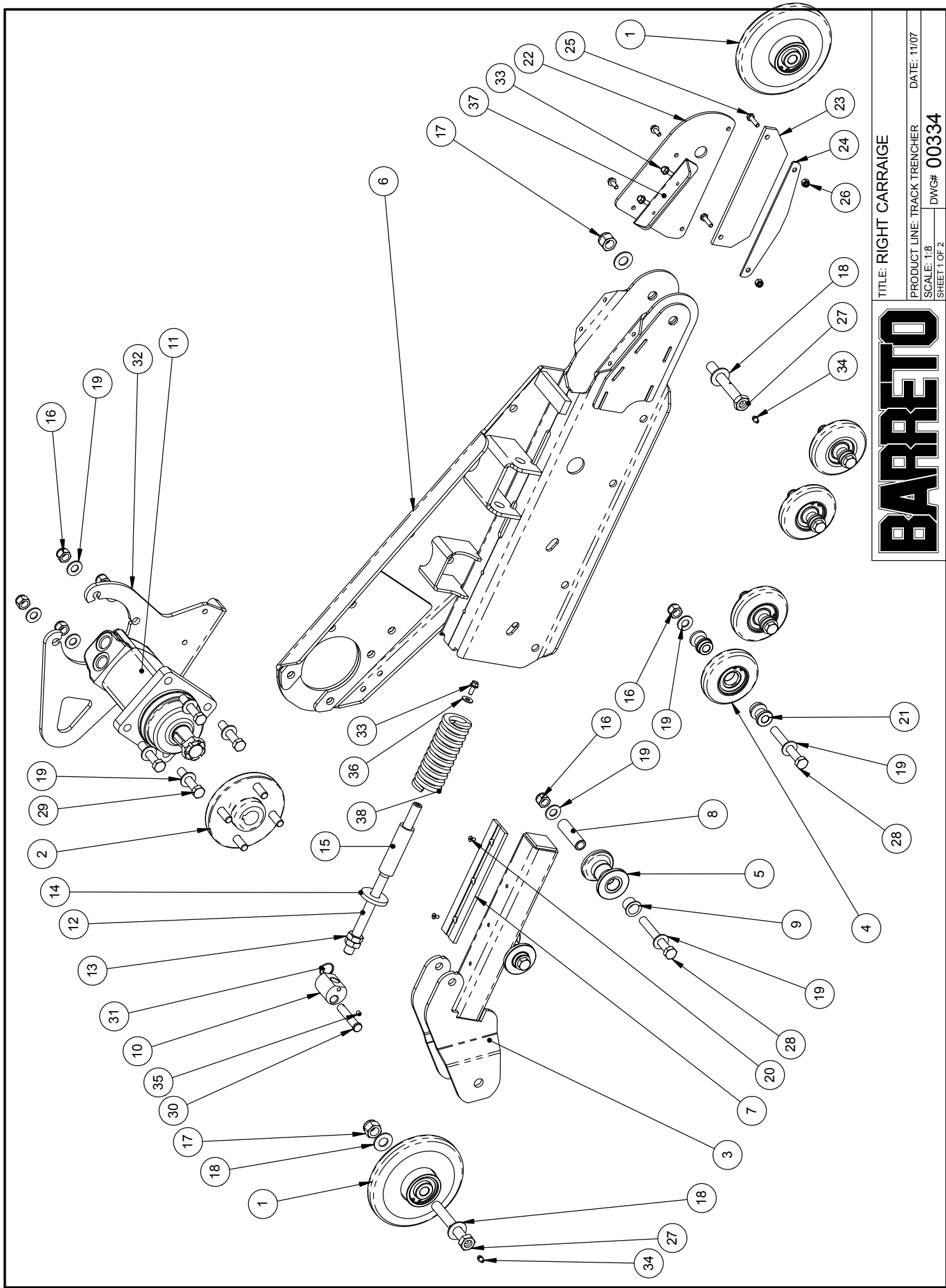


BARRETO

TITLE: LEFT CARRIAGE ASSEMBLY

PRODUCT LINE: TRACK TRENCHER DATE: 11/07

SCALE: 1:8 DWG# 00333 SHEET 2 OF 2



TITLE: RIGHT CARRIAGE

PRODUCT LINE: TRACK TRENCHER

SCALE: 1:8

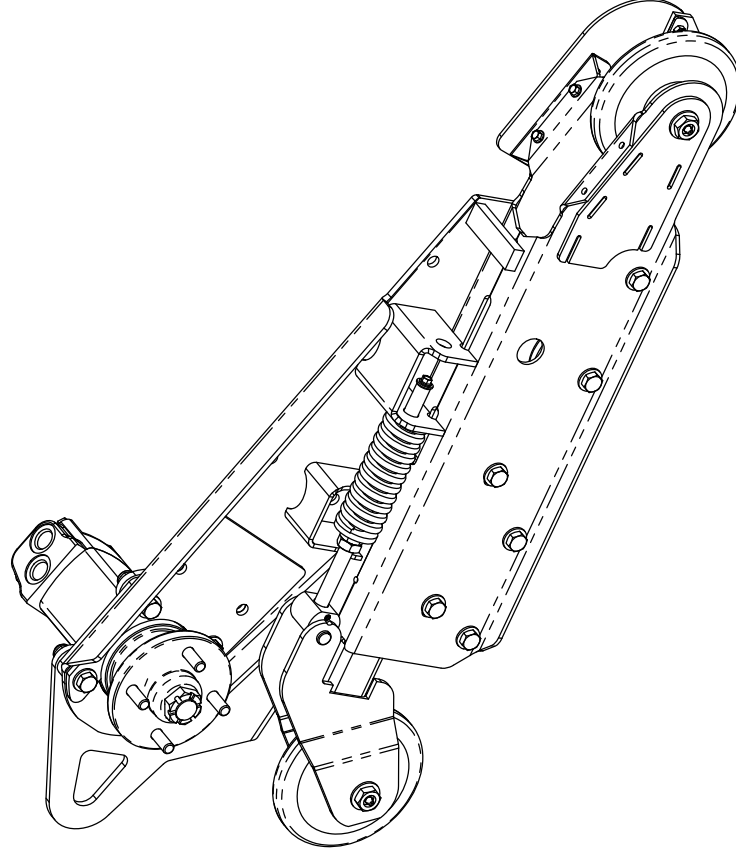
DATE: 11/07

DWG# 00334

SHEET 1 OF 2

BARRETO

REF	QTY.	PART NO.	DESCRIPTION
1	2	00335	IDLER ASSEMBLY
2	1	10827	WHEEL HUB, 1-1/4" TAPERED, SOLID
3	1	10876	IDLER ARM
4	4	00366	MID ROLLER ASSY
5	2	10907	ARM ROLLER
6	1	10849-R	RIGHT CARRIAGE
7	1	10910	ARM SLIDER
8	2	10908	SPACER
9	4	10272	BUSHING, IGUS MFI-1214-12
10	1	11156	TENSIONER END
11	1	10845	MOTOR, EATON 24 CI, 105-1060 W/SEAL GARD
12	1	11170	TENSIONER STUD
13	2	10707	NUT, JAM, 5/8-11 NC ZINC
14	1	11157	WASHER, TENSION SPRING
15	1	11470	SPRING GUIDE
16	10	05098	NUT, NYLOCK, 1/2-13 NC ZINC
17	2	05099	NUT, NYLOCK, 5/8-11 NC ZINC
18	4	05272	WASHER, 5/8 SAE ZINC HARDENED
19	20	05102	WASHER, 1/2 SAE ZINC HARDENED
20	2	05084	HEX SOCKET FH CAP SCREW, #10-24 X 3/8
21	8	11144	ROLLER SPACER
22	1	11247	ROLLER GUARD
23	1	11475	FLAP
24	1	11474	FLAP BACKING
25	2	05237	HH CAP SCREW, 1/4-20 NC X 1 G5 ZINC
26	2	05096	NUT, NYLOCK, 1/4-20 NC ZINC
27	2	11490	ROLLER AXLE, 5/8 X 4-1/2"
28	6	05590	HH CAP SCREW, 1/2-13 NC X 4 G5 ZINC
29	4	11447	HH CAP SCREW, 1/2-13 NC X 2-1/2 G5 ZN
30	1	05250	CLEVIS PIN, 1/2 X 2-1/2 ZINC
31	1	05039-7	CIRCLE COTTER, CC-7
32	1	11462-R	WEIGHT MOUNT, RIGHT
33	5	05069	WHIZ LOCK, 1/4-20 NC X 5/8 ZINC
34	2	05044	GREASE ZERK, 1/4-28 UNF
35	1	05021	SET SCREW, 1/4-20 UNC X 5/16, CUP POINT
36	1	05078	WASHER, 1/4 USS ZINC
37	1	11251	ROLLER GUARD MOUNT
38	1	11674	SPRING, CENTURY D-1378



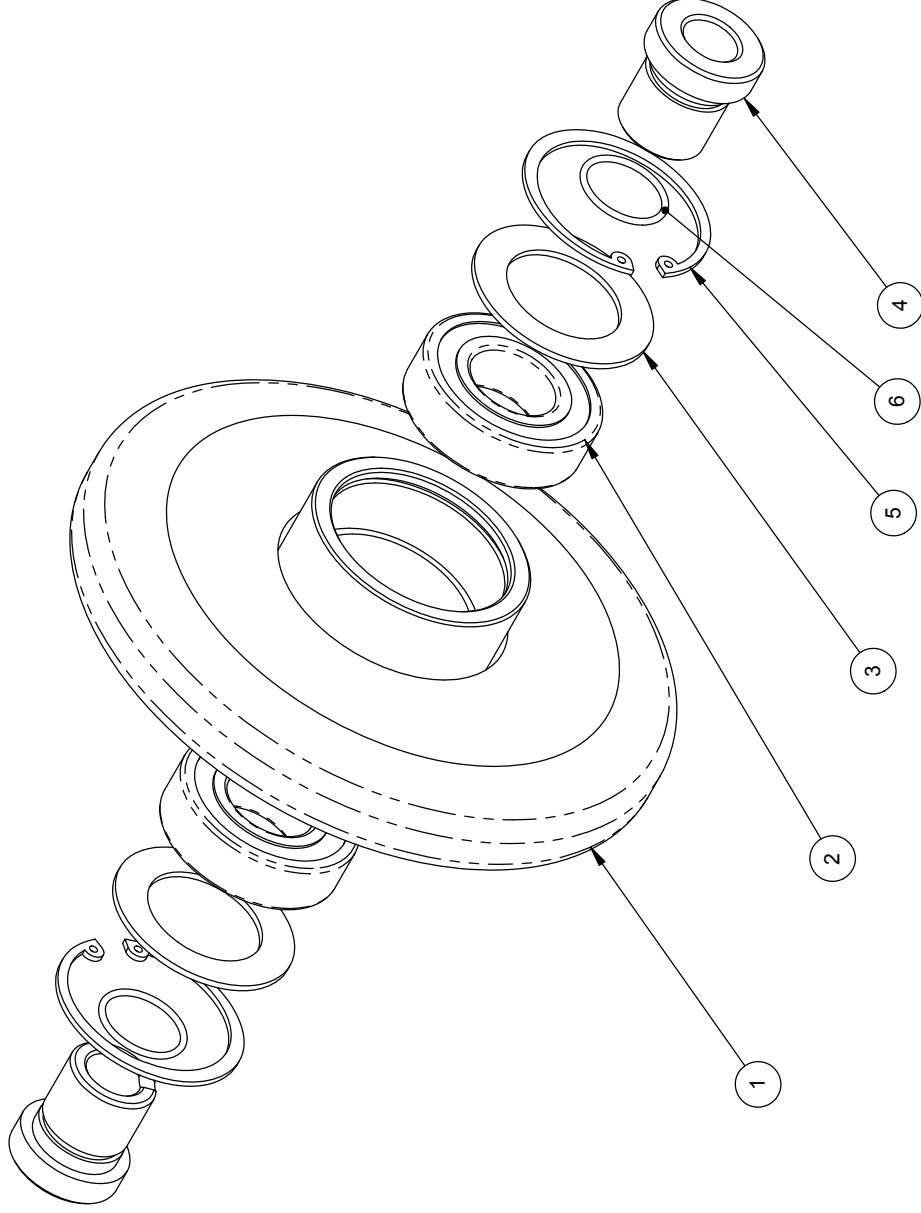
BARRETO

TITLE: RIGHT CARRIAGE

PRODUCT LINE: TRACK TRENCHER DATE: 11/07

SCALE: 1:8 DWG# 00334
SHEET 2 OF 2

REF	QTY.	PART NO.	DESCRIPTION
1	1	10875	IDLER
2	2	03043	BALL BEARING, 6205
3	2	01026	SHIELD, OUTBOARD BEARING
4	2	10878	IDLER SPACER
5	2	05024	SNAP RING, HO-200, 2" INTERNAL
6	2	10887	O-RING, 2-020N70, 1 OD X 1/16 SECTION



TITLE: IDLER ASSEMBLY

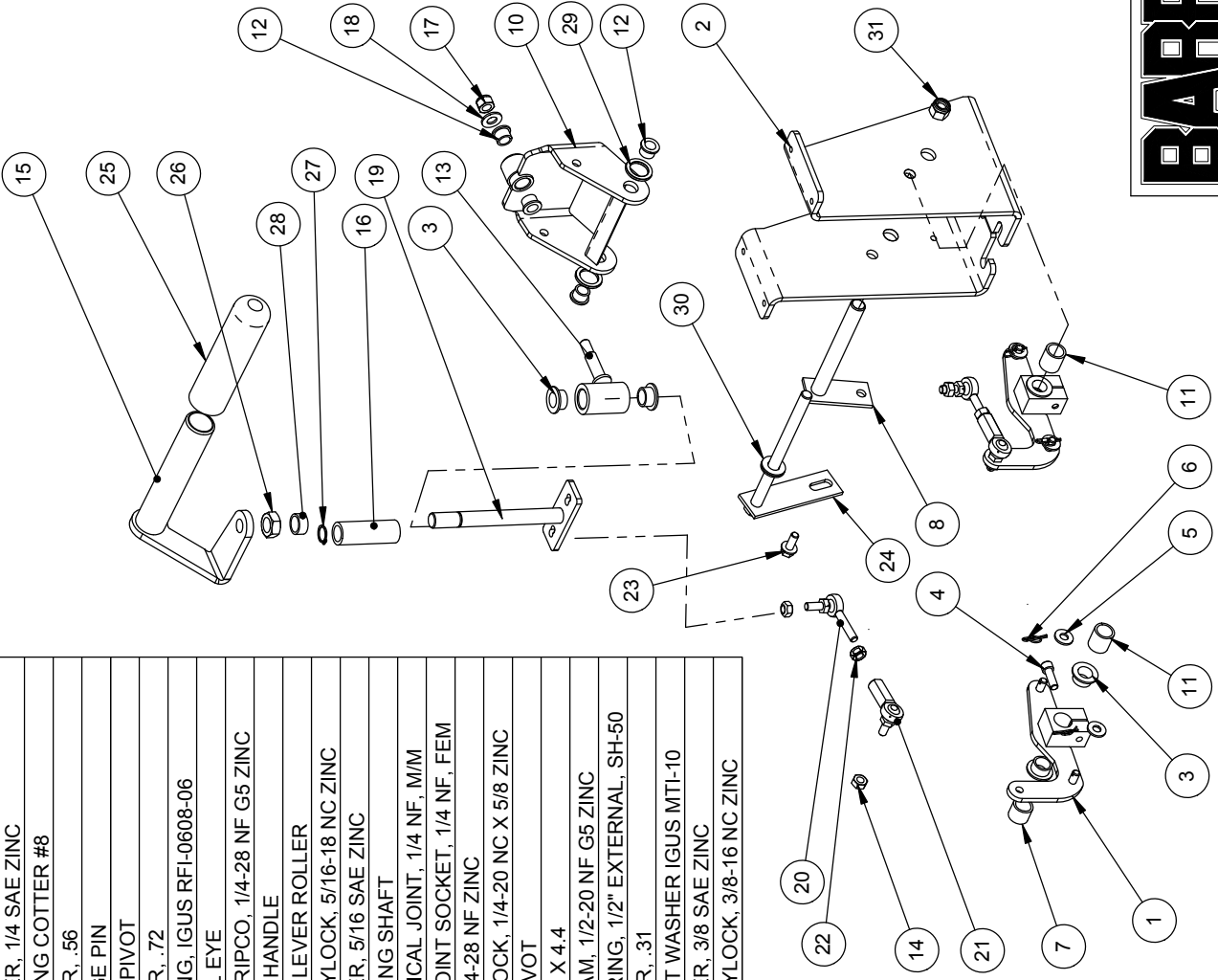
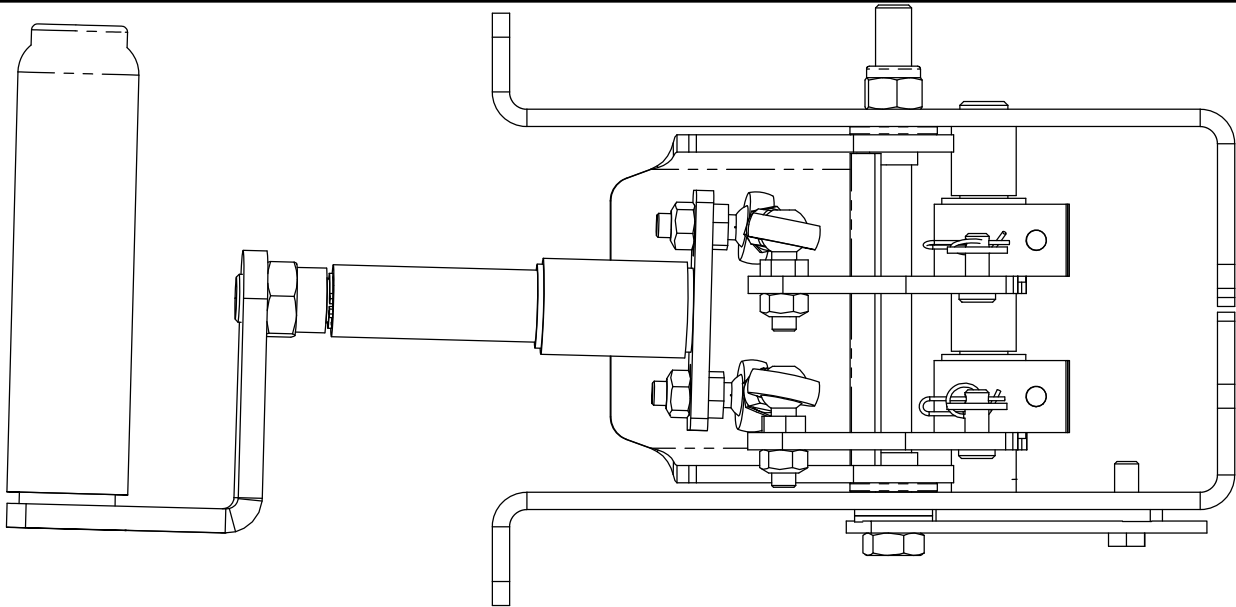
PRODUCT LINE: TRACK TRENCHER DATE: 11/06

SCALE: 1:2 DWG# 00335

SHEET 1 OF 1

BARRETO

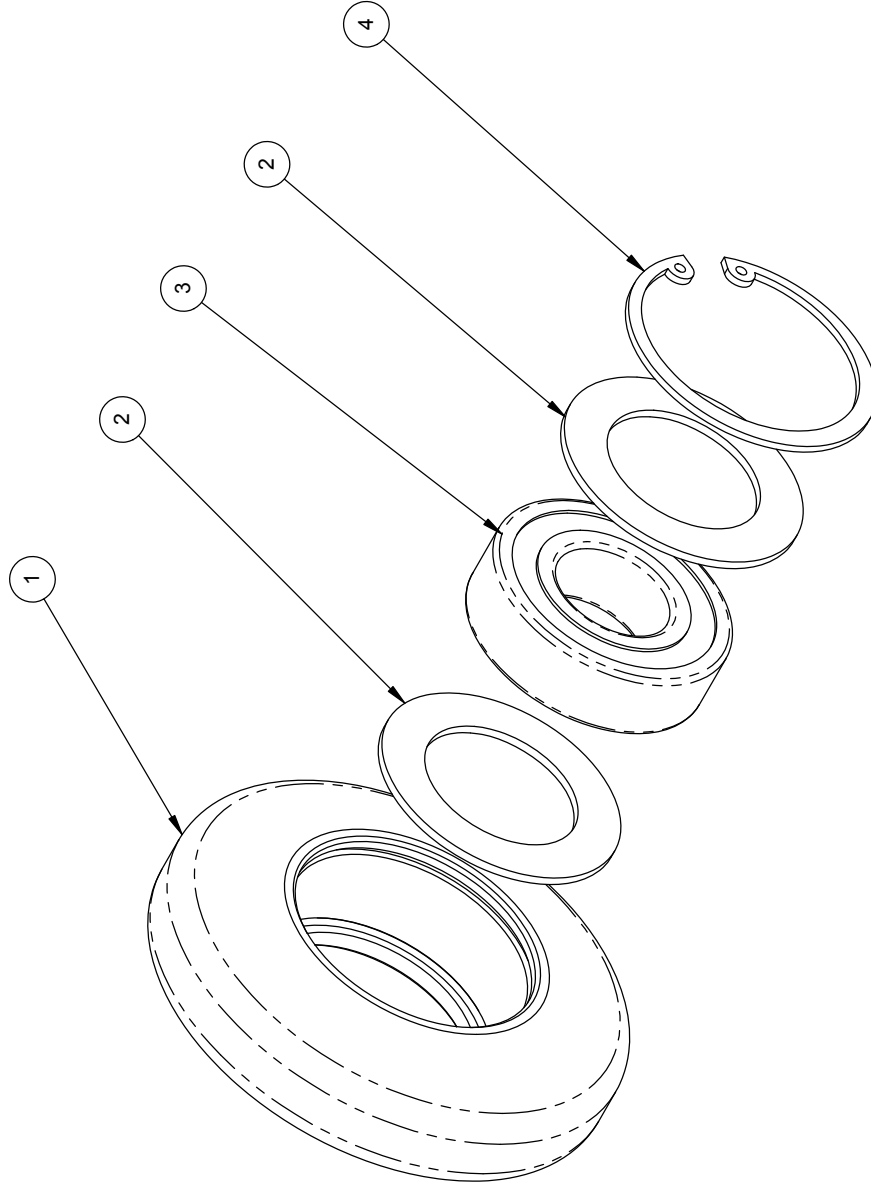
REF	QTY	PART NO.	DESCRIPTION
1	2	11616	SPEED CABLE ARM, T-HANDLE
2	1	11086-T	SPEED LEVER MOUNT, T-HANDLE
3	6	12078	BUSHING, IGUS RFI-0810-06
4	2	05235	SH CAP SCREW, 1/4-28 NF X 3/4 PLAIN
5	4	05081	WASHER, 1/4 SAE ZINC
6	4	05038	RUE RING COTTER #8
7	1	11314	SPACER, .56
8	1	11090	LINKAGE PIN
10	1	11313	LEVER PIVOT
11	2	11581	SPACER, .72
12	4	10509	BUSHING, IGUS RFI-0608-06
13	1	11315	SWIVEL EYE
14	4	05266	NUT, GRIPCO, 1/4-28 NF G5 ZINC
15	1	11312	SPEED HANDLE
16	1	10547	SPEED LEVER ROLLER
17	1	05273	NUT, NYLOCK, 5/16-18 NC ZINC
18	1	05068	WASHER, 5/16 SAE ZINC
19	1	11316	STEERING SHAFT
20	2	11311-1	SPHERICAL JOINT, 1/4 NF, MM
21	2	11353-1	BALL JOINT SOCKET, 1/4 NF, FEM
22	2	05267	NUT, 1/4-28 NF ZINC
23	1	05069	WHIZ LOCK, 1/4-20 NC X 5/8 ZINC
24	1	11582	LINK PIVOT
25	1	03032-4.4	GRIP, 1 X 4.4
26	1	05162	NUT, JAM, 1/2-20 NF G5 ZINC
27	1	05506	SNAP RING, 1/2" EXTERNAL, SH-50
28	1	10525	SPACER, .31
29	2	11649	THRUST WASHER IGUS MTI-10
30	2	05101	WASHER, 3/8 SAE ZINC
31	1	05073	NUT, NYLOCK, 3/8-16 NC ZINC



BARRETO

TITLE: SPEED CONTROL ASSEMBLY
T-HANDLE
PRODUCT LINE: 1824-TK
SCALE: 1:6
DATE: 06/08
DWG# 00362-TK
SHEET 1 OF 1

REF	QTY.	PART NO.	DESCRIPTION
1	1	11473	SUPPORT ROLLER
2	2	01026	SHIELD, OUTBOARD BEARING
3	1	03043	BALL BEARING, 6205
4	1	05024	SNAP RING, HO-200, 2" INTERNAL

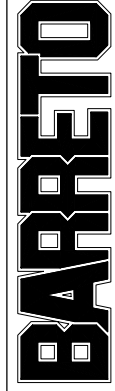


TITLE: MID ROLLER ASSEMBLY

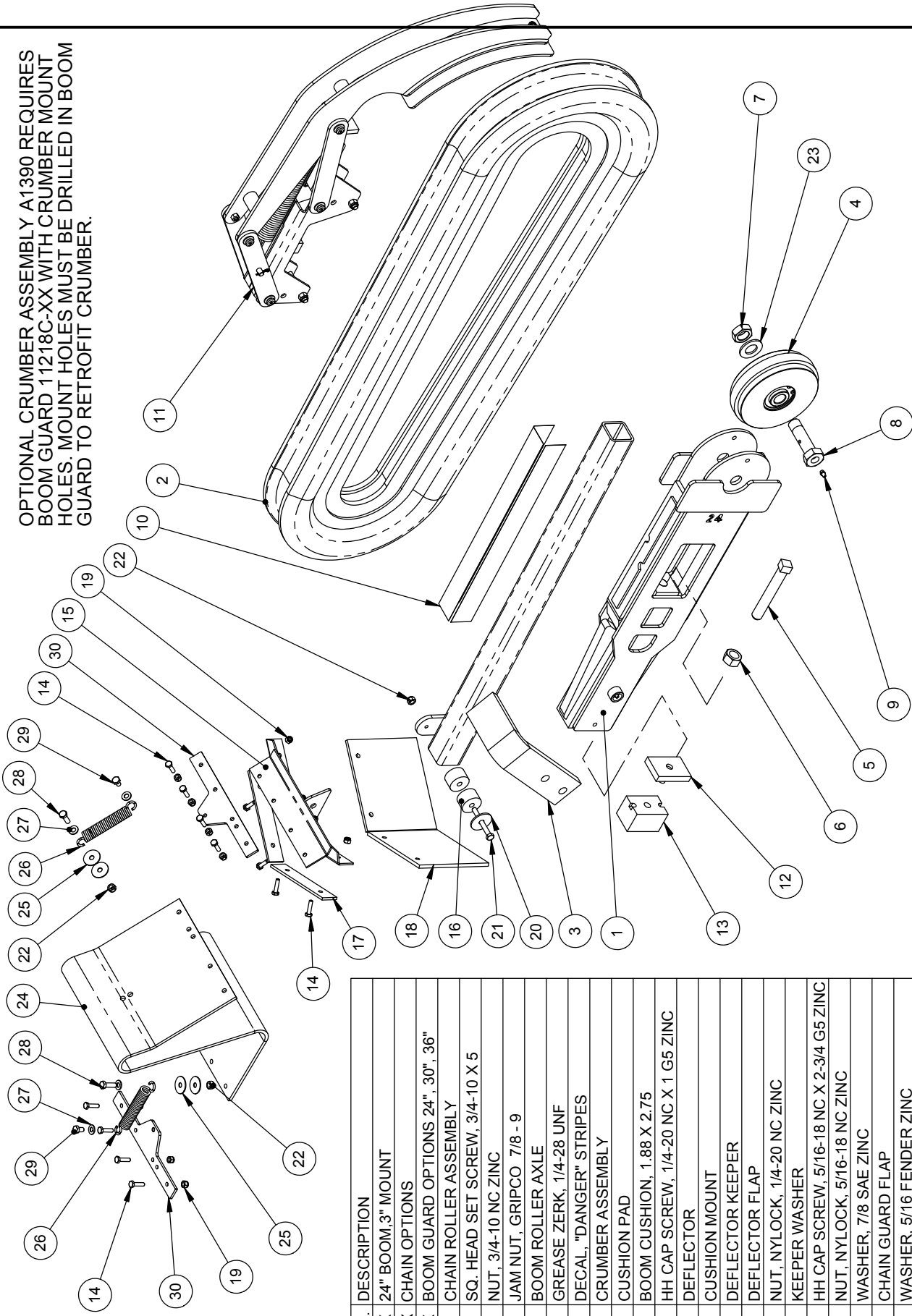
PRODUCT LINE: TRACK TRENCHER DATE: 11/07

SCALE: 2:3 DWG# 00366

SHEET 1 OF 1



OPTIONAL CRUMBER ASSEMBLY A1390 REQUIRES BOOM GUARD 11218C-XX WITH CRUMBER MOUNT HOLES. MOUNT HOLES MUST BE DRILLED IN BOOM GUARD TO RETROFIT CRUMBER.



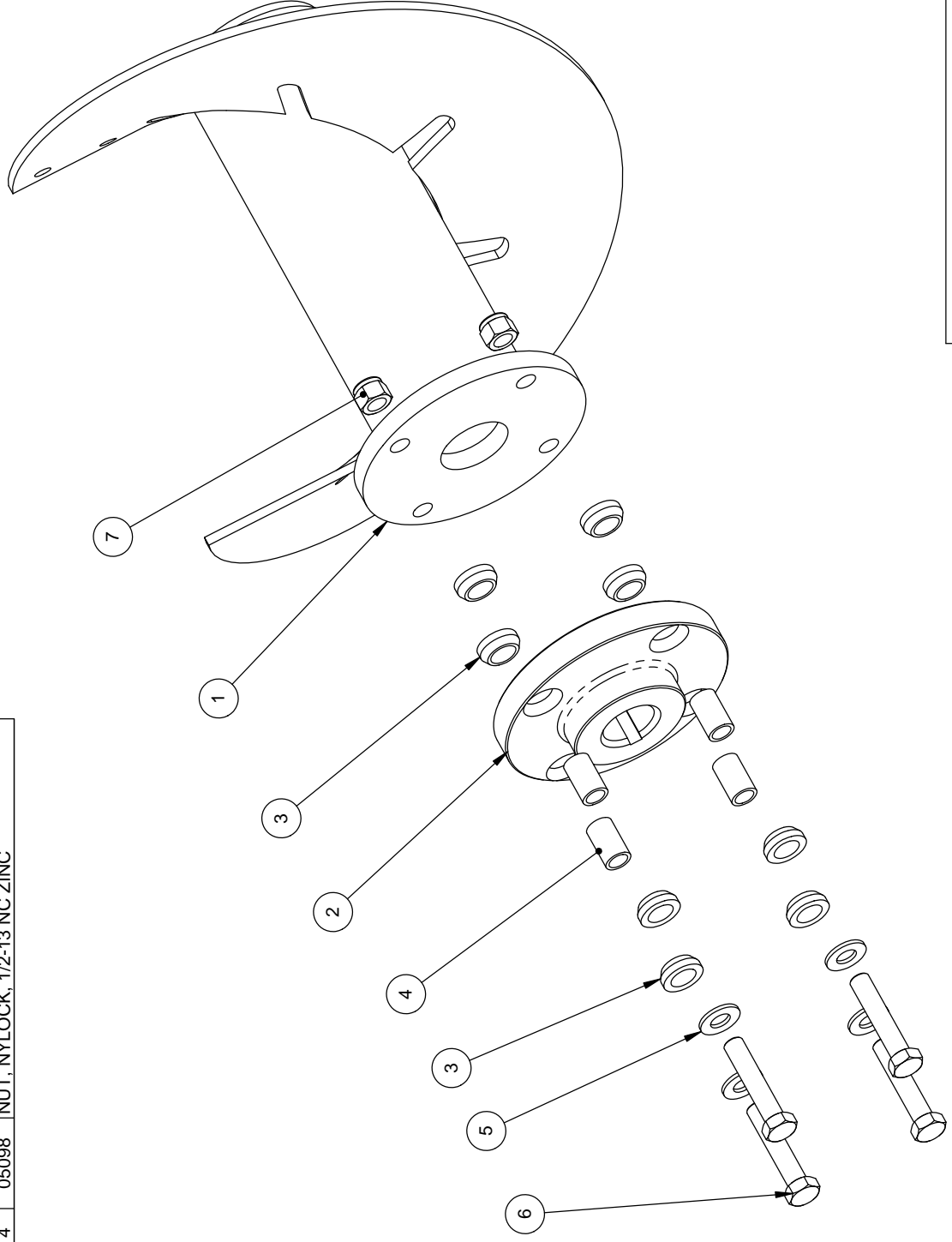
REF	QTY.	PART NO.	DESCRIPTION
1	1	01670-XX	24" BOOM, 3" MOUNT
2	1	K34XX-XX	CHAIN OPTIONS
3	1	11218-XX	BOOM GUARD OPTIONS 24", 30", 36"
4	1	00318	CHAIN ROLLER ASSEMBLY
5	1	05230	SQ. HEAD SET SCREW, 3/4-10 X 5
6	1	05231	NUT, 3/4-10 NC ZINC
7	1	05597	JAM NUT, GRIPCO 7/8 - 9
8	1	10848-M	BOOM ROLLER AXLE
9	3	05044	GREASE ZERK, 1/4-28 UNF
10	3	03341-02	DECAL, "DANGER" STRIPES
11	1	A1390	CRUMBER ASSEMBLY
12	1	11645	CUSHION PAD
13	1	11644	BOOM CUSHION, 1.88 X 2.75
14	12	05237	HH CAP SCREW, 1/4-20 NC X 1 G5 ZINC
15	1	10930	DEFLECTOR
16	2	10929	CUSHION MOUNT
17	2	10931	DEFLECTOR KEEPER
18	2	10932	DEFLECTOR FLAP
19	12	05096	NUT, NYLOCK, 1/4-20 NC ZINC
20	1	01622	KEEPER WASHER
21	1	05065	HH CAP SCREW, 5/16-18 NC X 2-3/4 G5 ZINC
22	3	05273	NUT, NYLOCK, 5/16-18 NC ZINC
23	1	05155	WASHER, 7/8 SAE ZINC
24	1	11961	CHAIN GUARD FLAP
25	4	05541	WASHER, 5/16 FENDER ZINC
26	2	12062	SPRING, CENTURY 5031
27	4	05068	WASHER, 5/16 SAE ZINC
28	2	05315	HH CAP SCREW, 5/16-18 NC X 1 G5 ZINC
29	2	05304	HH CAP SCREW, 5/16-18 NC X 1/2 G5 ZINC
30	2	12064	FLAP HOLDER

BARRETO

TITLE: CHAIN / BOOM / GUARD
OPTIONS

PRODUCT LINE: TRACK TRENCHER DATE: 11/06
SCALE: 1:10 DWG# 00368 R1
SHEET 1 OF 1

REF	QTY.	PART NO.	DESCRIPTION
1	1	11220	AUGER
2	1	11221	CUSHION FLANGE
3	8	10958	RUBBER BUSHING
4	4	10959	BUSHING SPACER
5	4	05102	WASHER, 1/2 SAE ZINC HARDENED
6	4	11447	HH CAP SCREW, 1/2-13 NC X 2-1/2 G5 ZN
7	4	05098	NUT, NYLOCK, 1/2-13 NC ZINC



TITLE: AUGER ASSEMBLY

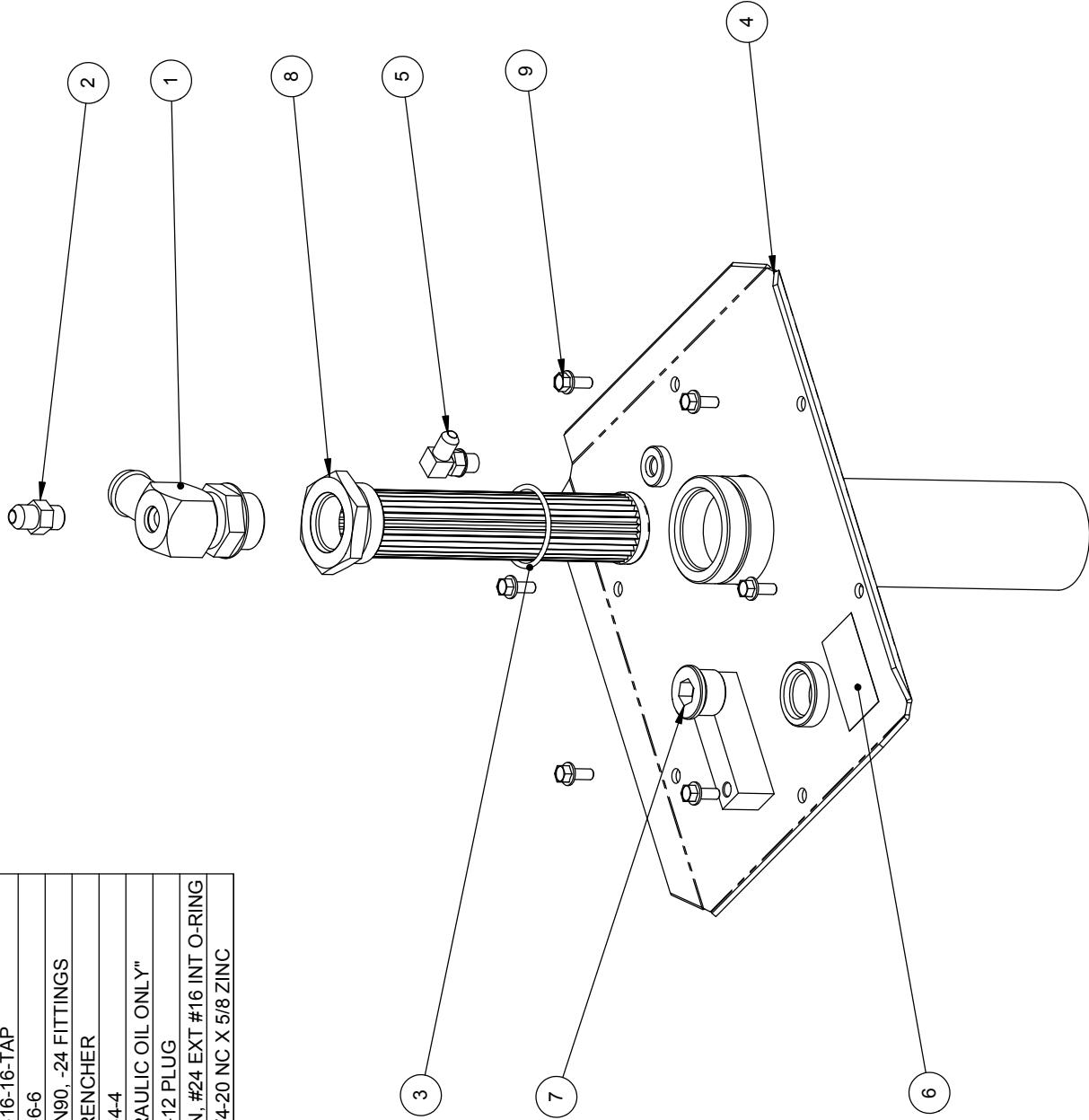
PRODUCT LINE: TRACK TRENCHER DATE: 11/06

SCALE: 1:4 DWG# 00372

SHEET 1 OF 1

BARRETO

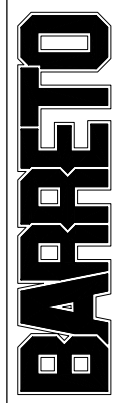
REF	QTY.	PART NO.	DESCRIPTION
1	1	10680	FITTING, 4601-16-16-TAP
2	1	10401	FITTING, 6400-6-6
3	1	03292	O-RING, 3-924N90, -24 FITTINGS
4	1	10842	LID, TRACK TRENCHER
5	1	04555	FITTING, 6801-4-4
6	1	03040-06	DECAL, "HYDRAULIC OIL ONLY"
7	1	10526	FITTING, 6409-12 PLUG
8	1	10636	SUMP SCREEN, #24 EXT #16 INT O-RING
9	6	05069	WHIZ LOCK, 1/4-20 NC X 5/8 ZINC



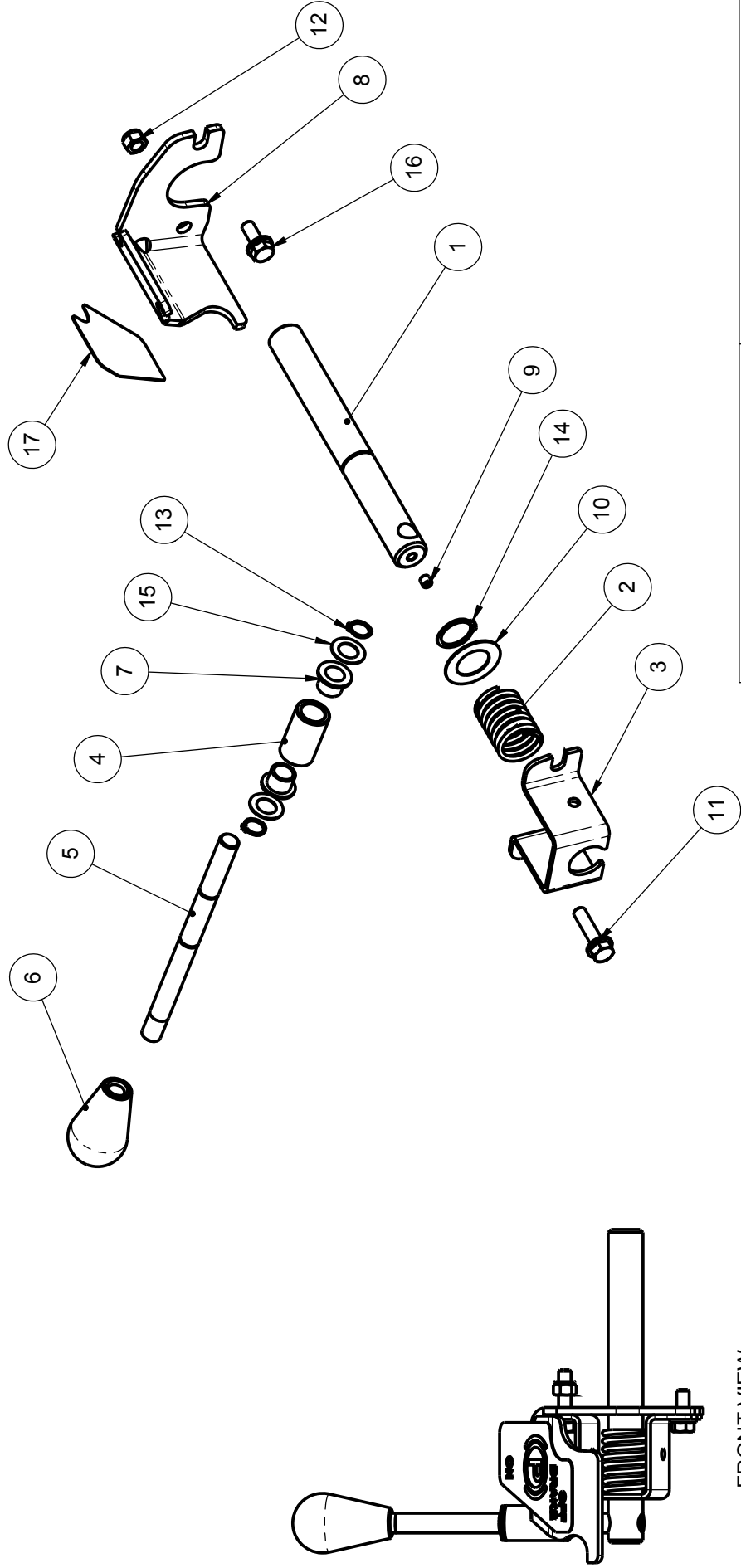
TITLE: LID ASSEMBLY

PRODUCT LINE: TRACK TRENCHER DATE: 11/06

SCALE: 1:4 DWG# 00373 SHEET 1 OF 1



REF.	QTY.	PART NO.	DESCRIPTION	REF.	QTY.	PART NO.	DESCRIPTION
1	1	11705	BRAKE PIN	12	1	05273	NUT, NYLOCK, 5/16-18 NC ZINC
2	1	03354	SPRING, CENTURY 1539	13	2	05506	SNAP RING, 1/2" EXTERNAL, SH-50
3	1	11707	SPRING BASE	14	1	05602	SNAP RING, SH-87-P, 7/8" EXTERNAL
4	1	11708	ROLLER	15	2	10113	THRUST WASHER, .518 X .873 X .030
5	1	11709	PARK LEVER	16	1	05131	HH FLANGE SCREW, 5/16-18 NC X 3/4 G8 ZINC
6	1	03508	SPEED KNOB	17	1	04450-16	BRAKE DECAL
7	2	03501	BUSHING, IGUS MFI-0810-08				
8	1	11710	CAM PLATE				
9	1	05143	SET SCREW .25 NF X .25 CUP				
10	1	03274	THRUST WASHER, .891 X 1.502 X .035, HARD				
11	1	05138	HH FLANGE SCREW, 5/16-18 NC X 1-1/4 G8 ZINC				



FRONT VIEW

BARRETO

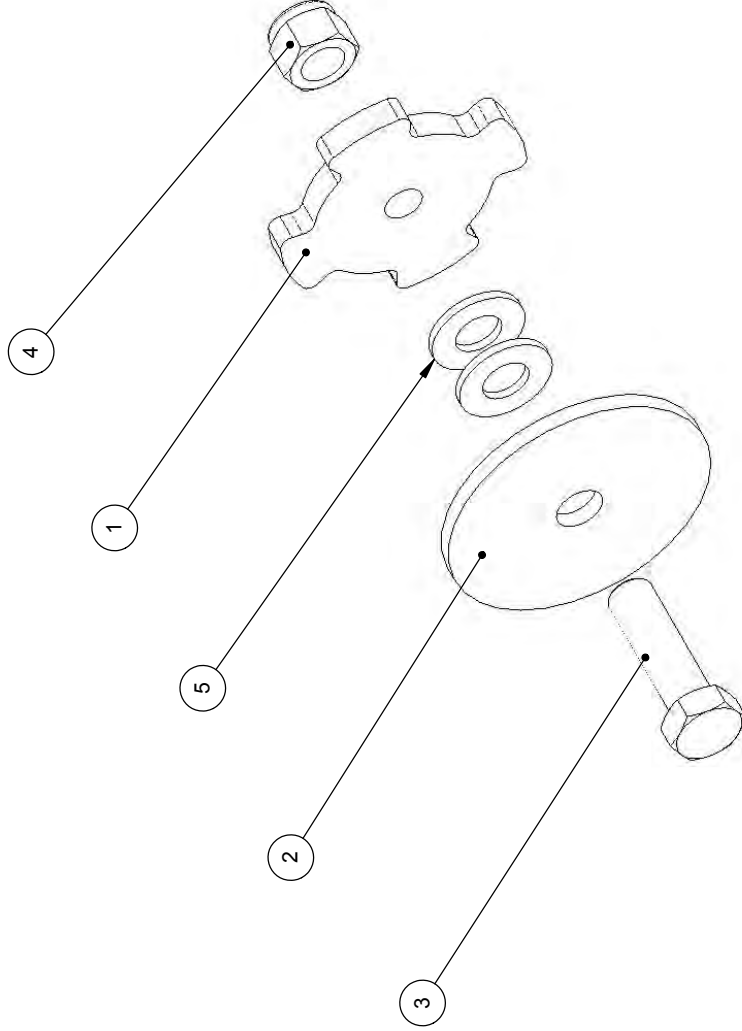
TITLE: PARKING BRAKE

PRODUCT LINE: TRACK DATE: 02/09

SCALE: 1:4 DWG# 00458

SHEET 1 OF 1

REF	QTY.	PART NO.	DESCRIPTION
1	1	11647	WING NUT
2	1	11641	AUGER CAP
3	1	05129	HH CAP SCREW, 1/2-13 NC X 1-3/4 G5 ZINC
4	1	05098	NUT, NYLOCK, 1/2-13 NC ZINC
5	2	05102	WASHER, 1/2 SAE ZINC HARDENED



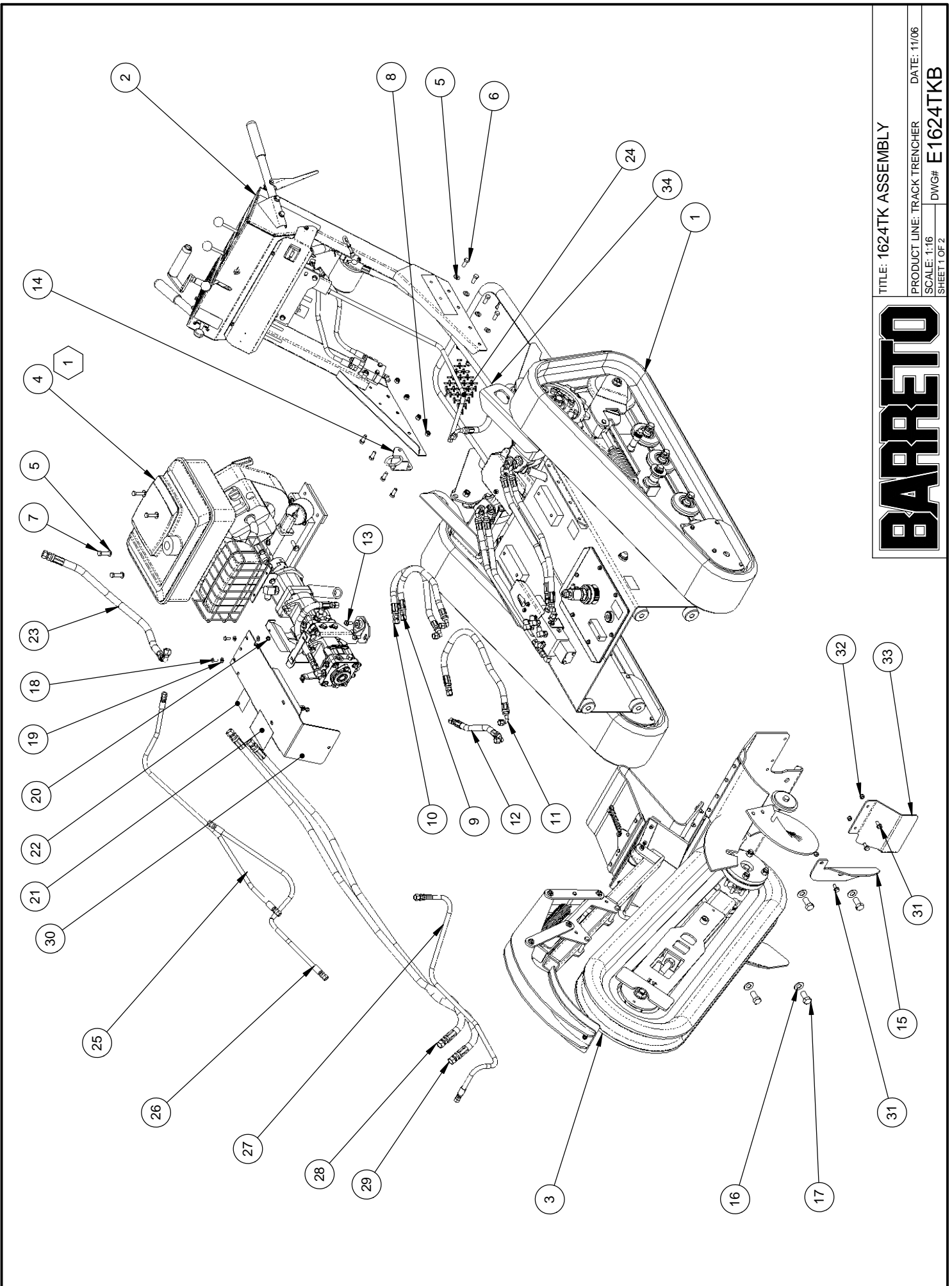
TITLE: AUGER CAP

PRODUCT LINE: TRACK TRENCHER DATE: 08/08

SCALE: 1:2 DWG# 11642

SHEET 1 OF 1

BARRETO



TITLE: 1624TK ASSEMBLY

PRODUCT LINE: TRACK TRENCHER DATE: 11/06

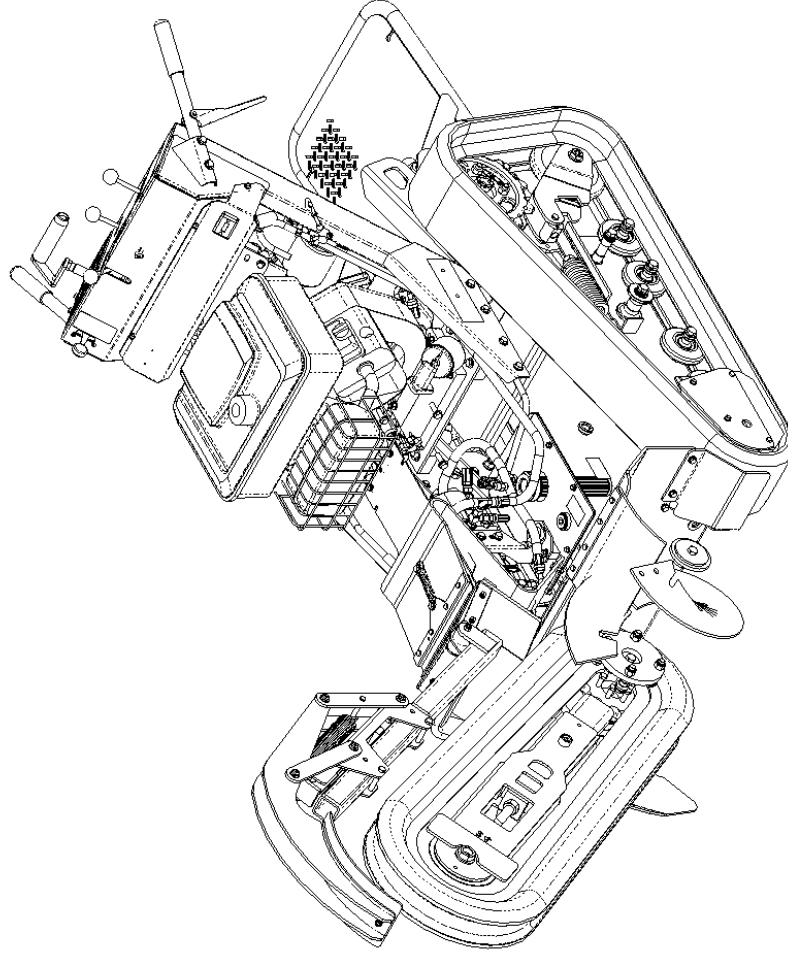
SCALE: 1:16 DWG# E1624TKB

SHEET 1 OF 2

BARRETO

ENGINE OPTIONS: SEE 00330-H13-T : 13 HP HONDA

1



REF QTY.	PART NO.	DESCRIPTION
1	00327	BODY ASSEMBLY
2	00329B	CONTROL POD ASSEMBLY, 13/16 TK
3	00328 R2	FRONT END ASSEMBLY
4	00330-B16-T	ENGINE / PUMPS ASSEMBLY, BRIGGS 16
5	05101	WASHER, 3/8 SAE ZINC
6	05059	HH CAP SCREW, 3/8-16 NC X 1 G5 ZINC
7	05092	HH CAP SCREW, 3/8-16 NC X 1-1/2 G5 ZINC
8	05073	NUT, NYLOCK, 3/8-16 NC ZINC
9	11184L	HOSE, H-STAT / VALVE, LEFT/RR
10	11184R	HOSE, H-STAT / VALVE, RT/REAR
11	11242	HOSE, H-STAT / VALVE, LEFT/FR
12	11183	HOSE, H-STAT / VALVE, RT/FR
13	05140	WHIZ LOCK, 5/16-18 NC X 3/4 ZINC
14	10835	HOSE KEEPER
15	11246	TRACK GUARD
16	05272	WASHER, 5/8 SAE ZINC HARDENED
17	05260	HH CAP SCREW, 5/8-11 NC X 1-1/4 G5 ZINC
18	05554	HH CAP SCREW, 1/4-20 NC X 3/4 G5 ZINC
19	05081	WASHER, 1/4 SAE ZINC
20	05096	NUT, NYLOCK, 1/4-20 NC ZINC
21	03341-04	DECAL, "CAUTION - TO AVOID INJURY"
22	03040-01	DECAL, "MADE IN USA"
23	11579	HOSE, PUMP OUTPUT
24	11239	VENT HOSE ASSEMBLY
25	11577	HOSE, PORT A / CYL PISTON
26	11699	HOSE, CYL ROD / C-BAL 1
27	11241	HOSE, CASE DRAIN
28	11532	HOSE, VALVE / CHAIN MOTOR 57"
29	11243	HOSE, VALVE / CHAIN MOTOR
30	11248	PUMP COVER, B&S
31	05131	HH FLANGE SCREW, 5/16-18 NC X 3/4 G8 ZINC
32	05273	NUT, NYLOCK, 5/16-18 NC ZINC
33	11527	TRACK COVER
34	11472	HOSE, CASE DRAINS / FILTER

TITLE: 1624-TK ASSEMBLY

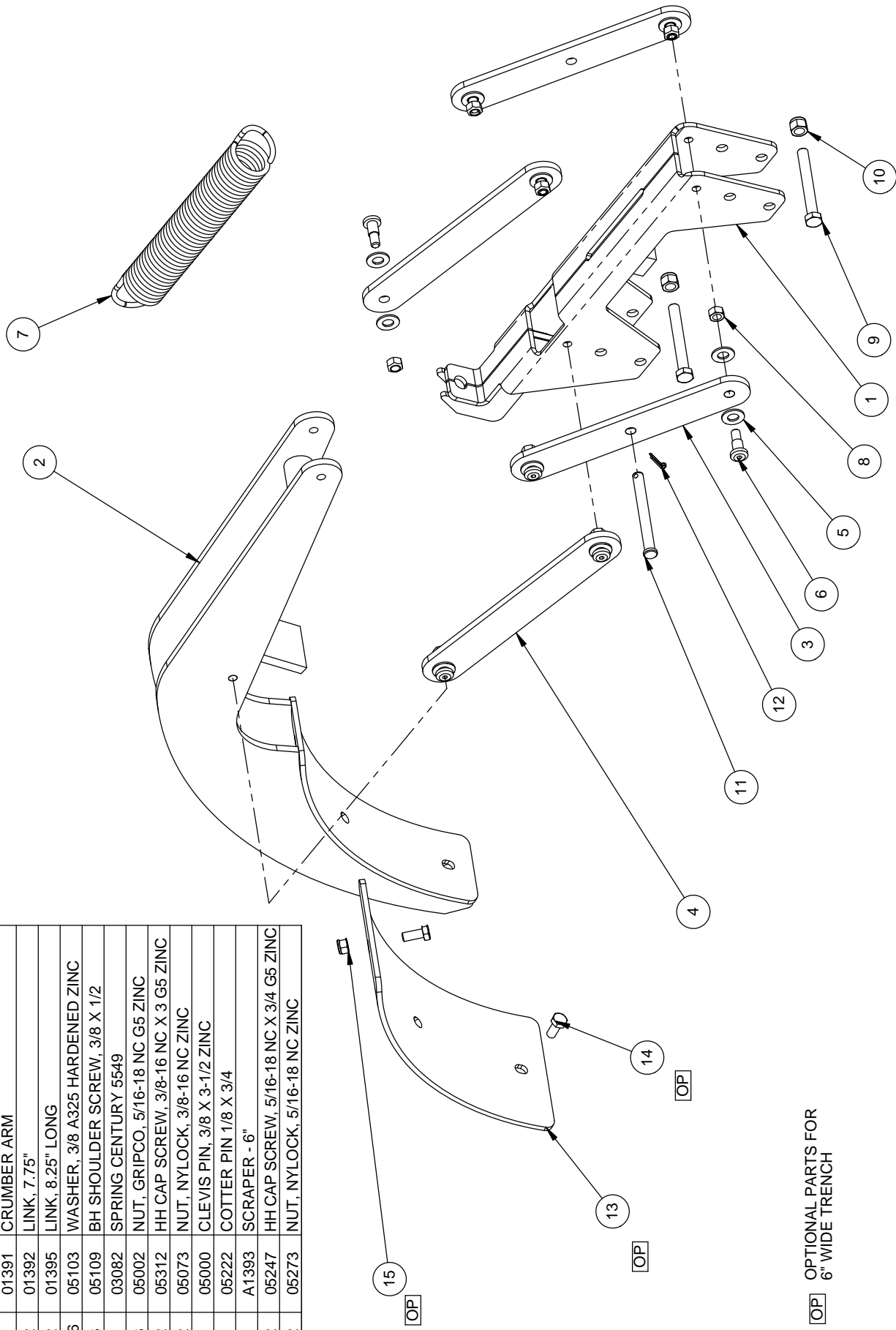
PRODUCT LINE: TRACK TRENCHER DATE: 12/06

SCALE: 1:16 DWG# E1624TKB

SHEET 2 OF 2

BARRETO

REF	QTY.	PART NO.	DESCRIPTION
1	1	01394 R1	CRUMBER MOUNT
2	1	01391	CRUMBER ARM
3	2	01392	LINK, 7.75"
4	2	01395	LINK, 8.25" LONG
5	16	05103	WASHER, 3/8 A325 HARDENED ZINC
6	8	05109	BH SHOULDER SCREW, 3/8 X 1/2
7	1	03082	SPRING CENTURY 5549
8	8	05002	NUT, GRIPCO, 5/16-18 NC G5 ZINC
9	2	05312	HH CAP SCREW, 3/8-16 NC X 3 G5 ZINC
10	2	05073	NUT, NYLOCK, 3/8-16 NC ZINC
11	1	05000	CLEVIS PIN, 3/8 X 3-1/2 ZINC
12	1	05222	COTTER PIN 1/8 X 3/4
13	1	A1393	SCRAPER - 6"
14	2	05247	HH CAP SCREW, 5/16-18 NC X 3/4 G5 ZINC
15	2	05273	NUT, NYLOCK, 5/16-18 NC ZINC



[OP] OPTIONAL PARTS FOR
6" WIDE TRENCH

BARRETO

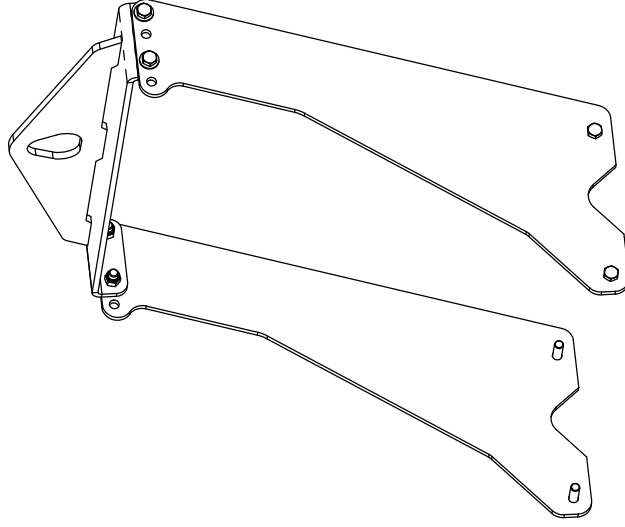
TITLE: CRUMBER ASSEMBLY

PRODUCT LINE: TRENCHER 1324 / 1624 DATE: 3/06

SCALE: 1:5 DWG# A1390

SHEET 1 OF 1

REF QTY.	PART NO.	DESCRIPTION
1	A1570-1	LEFT SIDE PLATE
2	A1571	LIFT EYE
3	05101	WASHER, 3/8 SAE ZINC
4	05091	HH CAP SCREW, 3/8-16 NC X 1-1/4 G5 ZINC
5	05073	NUT, NYLOCK, 3/8-16 NC ZINC
6	A1570-1R	RIGHT SIDE



TITLE: LIFT EYE

PRODUCT LINE: TRACK TRENCHER DATE: 07/08

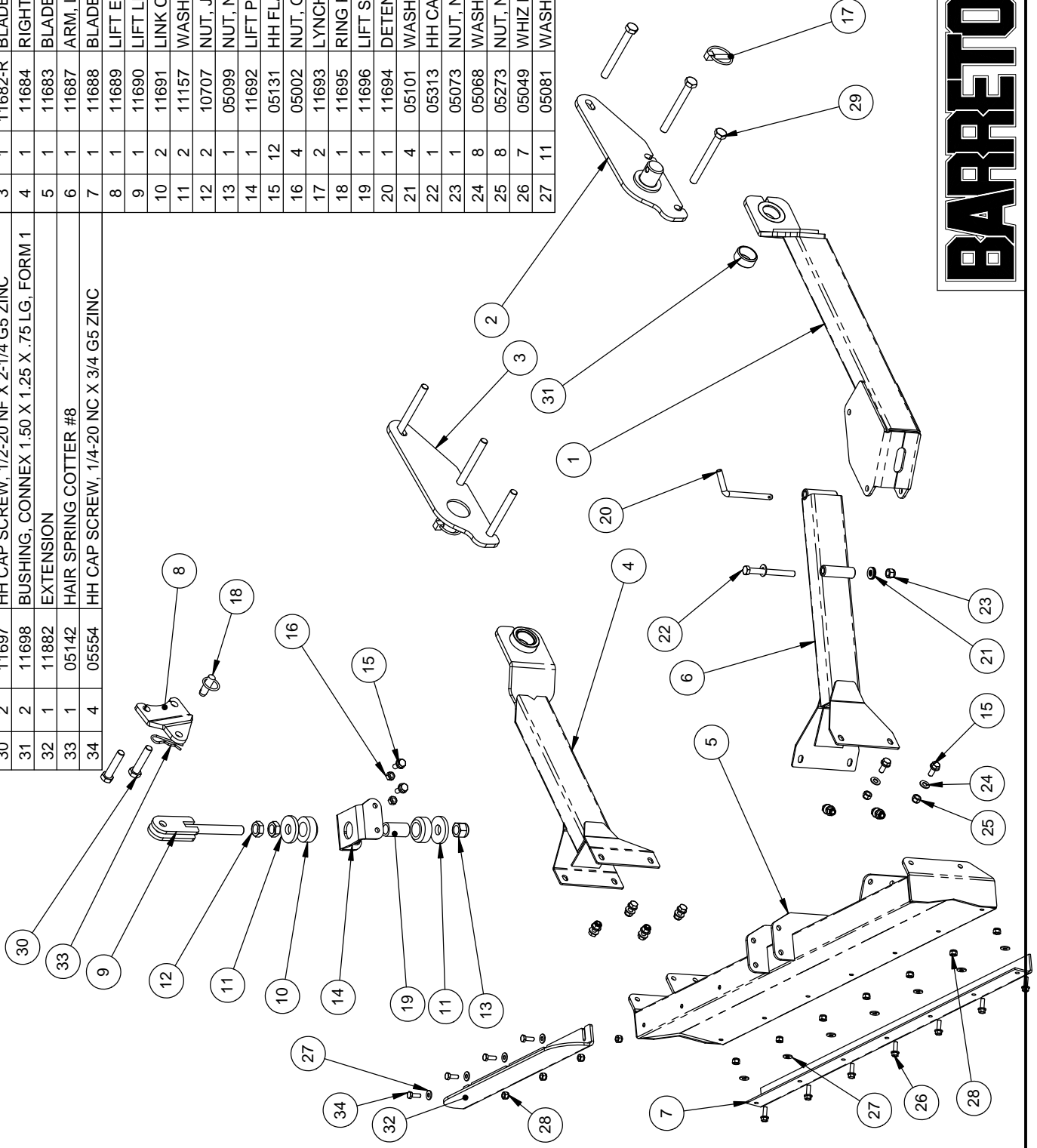
SCALE: 1:8

DWG# A1570

SHEET 1 OF 1

BARRETO

REF	QTY.	PART NO.	DESCRIPTION	REF	QTY.	PART NO.	DESCRIPTION
28	11	05096	NUT, NYLOCK, 1/4-20 NC ZINC	1	1	11685	SWING ARM
29	6	05094	HH CAP SCREW, 1/2-13 NC X 4-1/2 G5 ZINC	2	1	11682-L	BLADE MOUNT, LEFT
30	2	11697	HH CAP SCREW, 1/2-20 NF X 2-1/4 G5 ZINC	3	1	11682-R	BLADE MOUNT
31	2	11698	BUSHING, CONNEX 1.50 X 1.25 X .75 LG, FORM 1	4	1	11684	RIGHT ARM
32	1	11882	EXTENSION	5	1	11683	BLADE
33	1	05142	HAIR SPRING COTTER #8	6	1	11687	ARM, LEFT
34	4	05554	HH CAP SCREW, 1/4-20 NC X 3/4 G5 ZINC	7	1	11688	BLADE EDGE
				8	1	11689	LIFT EYE
				9	1	11690	LIFT LINK
				10	2	11691	LINK CUSHION
				11	2	11157	WASHER, TENSION SPRING
				12	2	10707	NUT, JAM, 5/8-11 NC ZINC
				13	1	05099	NUT, NYLOCK, 5/8-11 NC ZINC
				14	1	11692	LIFT PLATE
				15	12	05131	HH FLANGE SCREW, 5/16-18 NC X 3/4 G8 ZINC
				16	4	05002	NUT, GRIPCO, 5/16-18 NC G5 ZINC
				17	2	11693	LYNCH PIN, 5/16"
				18	1	11695	RING PIN, 1/2 X 1"
				19	1	11696	LIFT SPACER
				20	1	11694	DETENT PIN, 3/8 X 3", BENT ARM
				21	4	05101	WASHER, 3/8 SAE ZINC
				22	1	05313	HH CAP SCREW, 3/8-24 NF X 3-3/4 G8 PLAIN
				23	1	05073	NUT, NYLOCK, 3/8-16 NC ZINC
				24	8	05068	WASHER, 5/16 SAE ZINC
				25	8	05273	NUT, NYLOCK, 5/16-18 NC ZINC
				26	7	05049	WHIZ LOCK, 1/4-20 NC X 3/4 ZINC
				27	11	05081	WASHER, 1/4 SAE ZINC



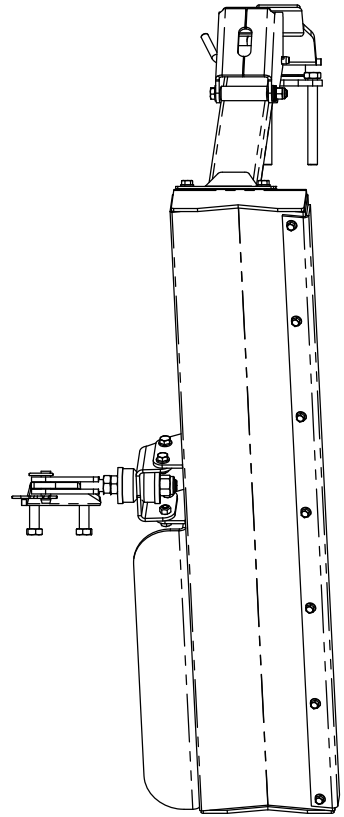
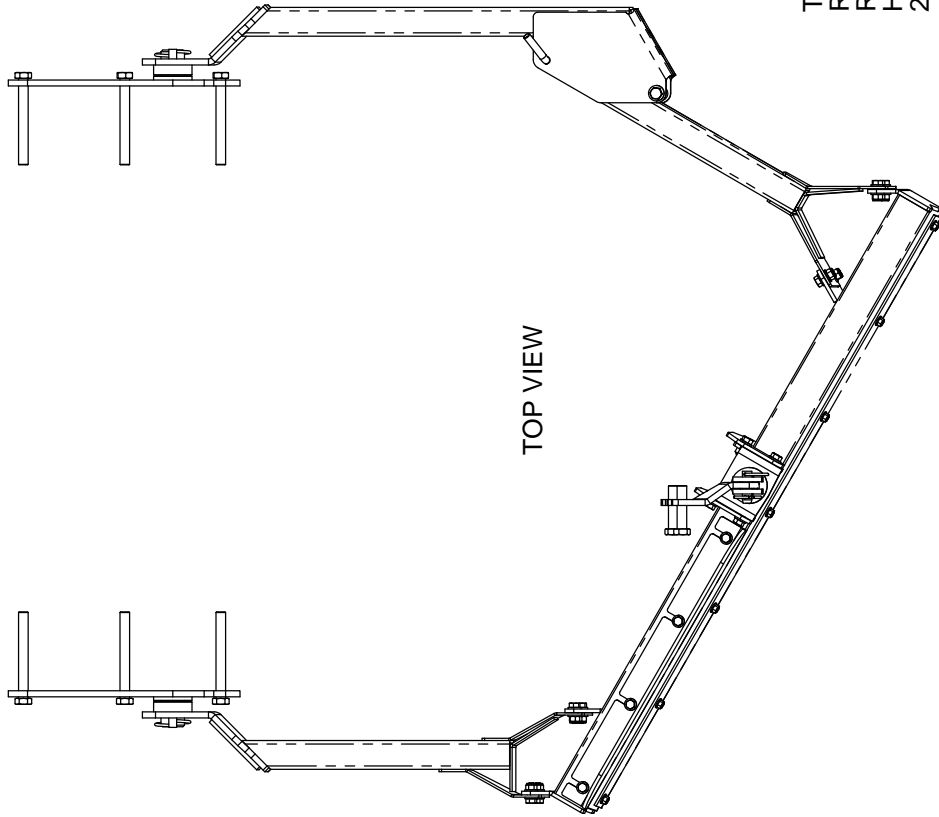
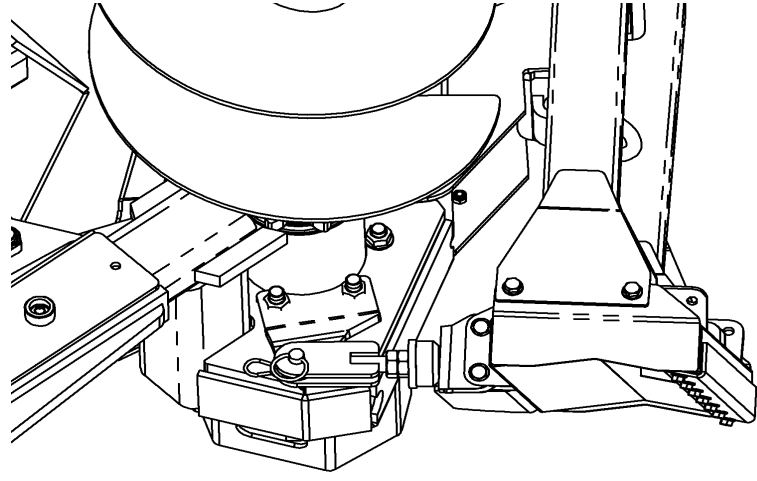
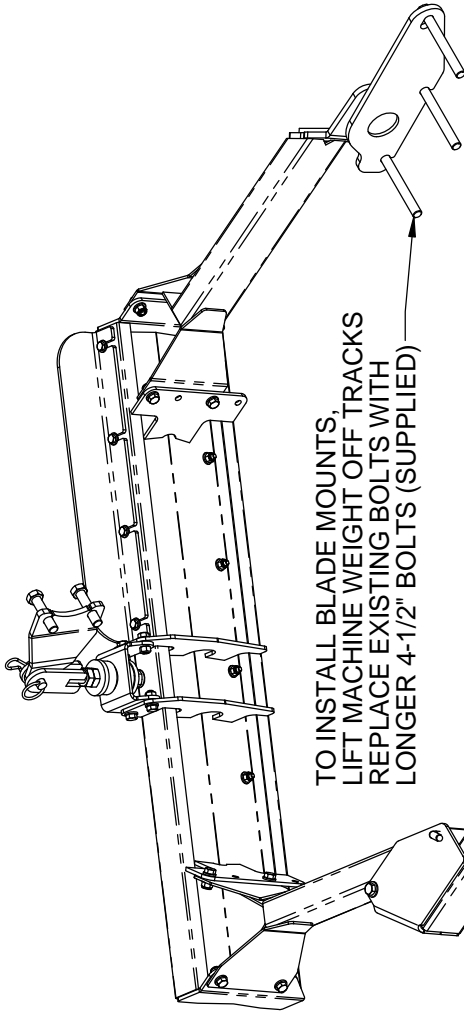
BARRETO

TITLE: BACKFILL BLADE

PRODUCT LINE: TRACK TRENCHER DATE: 11/08

SCALE: 1:10 DWG# A1580

SHEET 1 OF 2



TITLE: BACKFILL BLADE

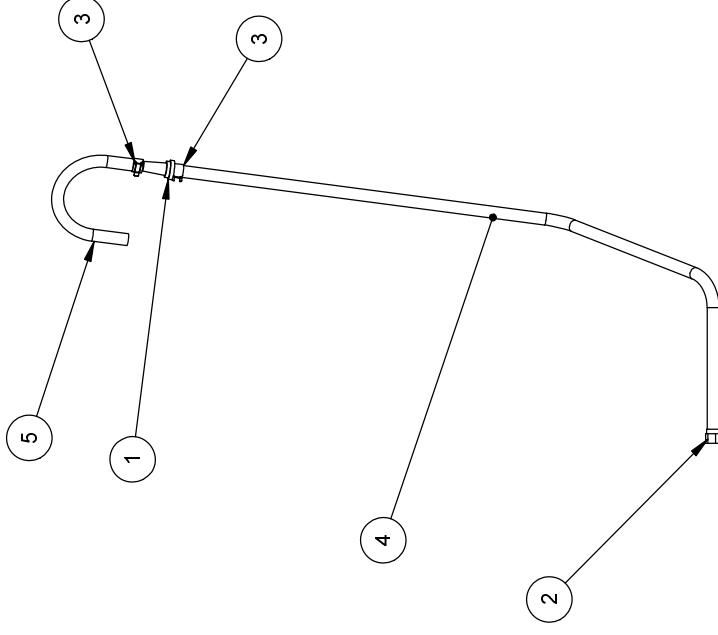
PRODUCT LINE: TRACK TRENCHER DATE: 11/08

SCALE: 1:10 DWG# A1580

SHEET 2 OF 2

BARRETO

REF. QTY.	PART NO.	DESCRIPTION
1	04516	BREATHER, FILTER SNAPPER 1435
2	04214	FITTING, JS-4-4, HOSE BARB 1/4 X 1/4 SWIVEL
3	03062-06	CLAMP, 1/4" FUEL LINE
4	11239-1	VENT HOSE
5	10365-2	VENT HOSE

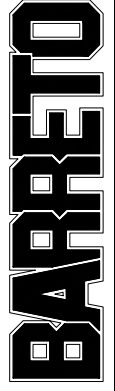


04295 HOSE, 1/4" GASOLINE, DL504

REF. 4: CUT LENGTH 36"

REF. 5: CUT LENGTH 12"

(1) REQ'D



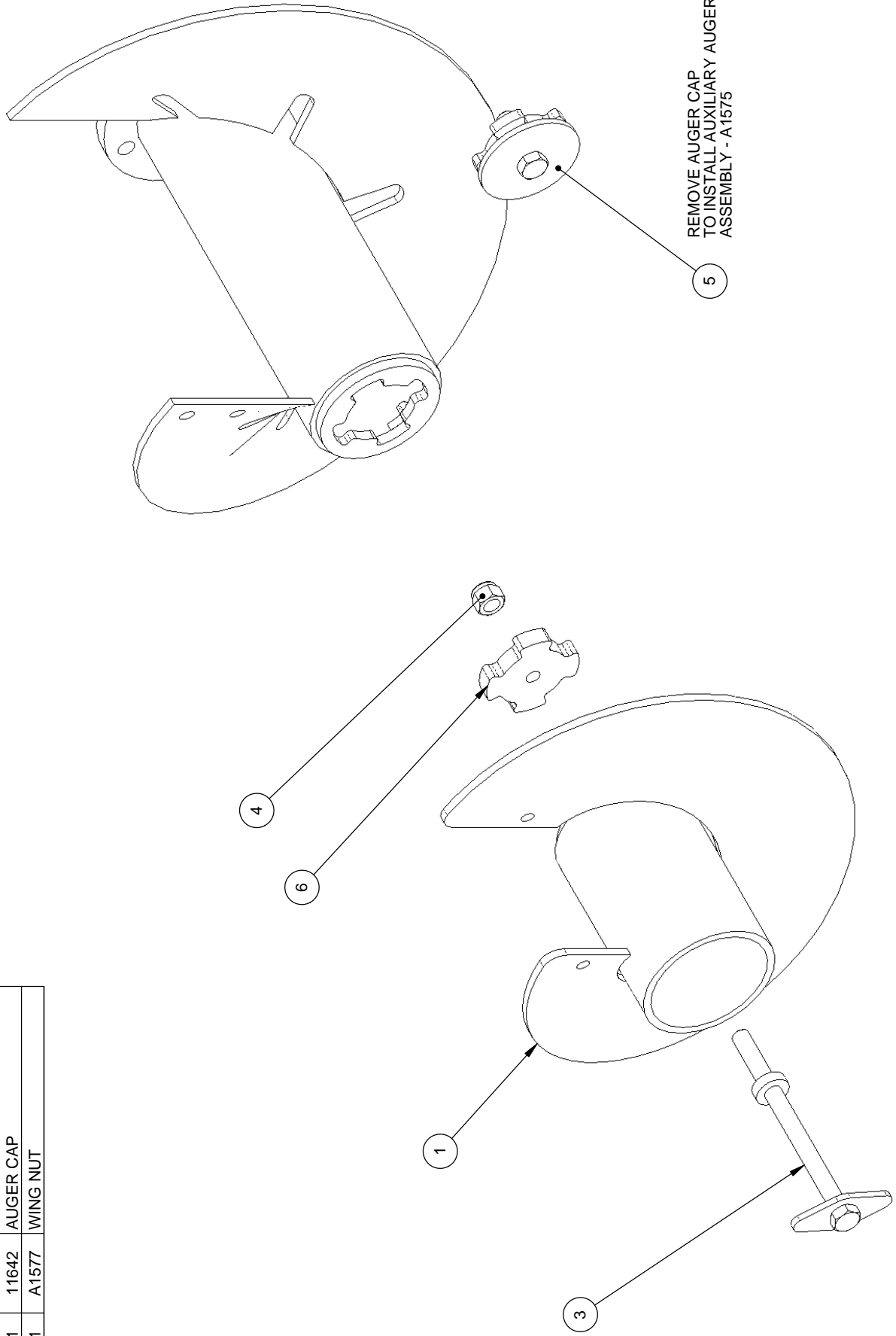
TITLE: VENT HOSE

PRODUCT LINE: TRACK TRENCHER DATE: 11/06

SCALE: 1:8 DWG# 11239

SHEET 1 OF 1

REF	QTY.	PART NO.	DESCRIPTION
1	1	A1576	AUXILIARY AUGER
3	1	A1578	COLLAR BOLT
4	1	05098	NUT, NYLOCK, 1/2-13 NC ZINC
5	1	11642	AUGER CAP
6	1	A1577	WING NUT



TITLE: AUXILIARY AUGER
OPTION

PRODUCT LINE: TRACK TRENCHER DATE: 07/08

SCALE: 1:4 DWG# A1575
SHEET 1 OF 1

BARRETO

STANDARD CUP CHAIN

(AKA Skip Tooth)

-4

This chain has a cup tooth on every other link.

Where to use it

This chain is most effective in loamy soil - soil that is packable into clods. It is also more effective in clay or "gumbo" soil that is sticky and clings to the chain. The space between the cups allows the soil to let go instead of running around with the chain as a slurry which prevents effective digging.



DOUBLE CUP CHAIN

-4C

This chain has a cup tooth on every link.

Where to use it

This chain is best for sand and dry, loose soil that has a tendency to fall back into the trench. The extra cups provide for better clean-out.



STANDARD COMBO CHAIN

-4M

This chain has an alternating pattern of cup and rock teeth.

Where to use it.

It is designed for areas that have variable soil types. The rock teeth are effective in rocky soil or hard-pan while the cups provide for efficient clean-out. The rock tooth is made up of three parts; a bracket, that is bolted onto the chain, a bullet tip that is inserted into the bracket, and a clip that holds the tip in place. This chain continues to be aggressive even when the cups get rounded. The disadvantage of this chain is that the tips can fall out, especially when the chain reverse feature is used frequently.



COMBO/SHARK CHAIN

-4MS

This chain has an alternating pattern of cup and Shark teeth.

Where to use it.

Use this chain in pretty much the same conditions as the standard combo chain. Although not as aggressive, the Shark teeth last longer and do not fall off. This is our most popular chain.



SHARK CHAIN

-4S

The teeth on this chain are all Shark teeth that are welded onto the chain. Replacement teeth are not available for this chain.

Where to use it.

This chain can be used in the most adverse soils. It is good in rocky soil, "cliché", limestone, hard-pan and any other hard to dig soils. It does not clean out well in sandy or dry, loose loamy soil. This is not the fastest but it is most durable chain available. It is not uncommon for the teeth to outlast the chain rollers. When the rollers wear out, the complete chain must be replaced.



BOLT-ON SHARK CHAIN

-4SB

This chain utilizes a standard chain blank and has Shark teeth that are bolted to the chain blank.

Where to use it.

This chain is good in all the conditions described for the Shark chain. The advantage is the teeth can be removed when the chain wears out and can be used on a new blank. It is not uncommon for the teeth to last through two chains.



ROCK CHAIN

-4R

This chain features all rock teeth.

There is a bracket, bullet, and clip at each link.

Where to use it.

This is the most effective chain for hard rocky soil. It is good in all conditions described for Shark chain. The disadvantage is the possibility of losing bullets, especially in conditions where the chain reverse feature is used often. As the chain wears and the bullets get rounded, it becomes less effective.



NOTE: ALL CHAINS ARE AVAILABLE IN 6" WIDTHS AS WELL.