



HLS HYDRAULIC LOG SPLITTER

Operation, Safety & Maintenance Instructions



Online Demonstration Available at: www.redroo.com/products/logsplitter



INTRODUCTION

Dear Valued Customer

Congratulations! You are now the proud owner of the Red Roo Model HLS Hydraulic Log Splitter. Please take a moment of your time to look over the following information. Familiarise yourself with the logsplitter, its characteristics and method of operation. Pay particular attention to the safety and operating instructions.

If you have any questions or need any replacement parts in the future please contact us at your convenience on our toll-free phone number 1300 133 767 or redroo.com

You alone know the operational demands and special conditions affecting the equipment in your situation and therefore assume the responsibility for developing, carrying out and enforcing the safety concepts which apply to your own operation to effect the greatest safety for yourself and the people around you.

*THANK YOU for your patronage, confidence and support in
Red Roo Commercial Environmental Equipment.*

Machine Identification Record:

Red Roo Customer number _____

Machine model number _____

Machine serial number _____

Engine manufacturer _____

Engine model number _____

Engine serial number _____



Table of Contents

ABOUT THIS MANUAL	4
SAFETY FIRST	4
SAFETY PRECAUTIONS FOR HLS USERS	5
OPERATING INSTRUCTIONS	6
SAFE TRANSPORTATION	7
GENERAL OPERATION OF LOG SPLITTER	7
GENERAL SAFETY OPERATION	7
SERVICE INFORMATION	8
MAINTENANCE INFORMATION	8
DECALS	9
DRAWING 1 – AXLE ASSEMBLY	10
DRAWING 2 – LIGHT KIT & SPARE WHEEL ASSEMBLY	10
DRAWING 3 – SPLITTING SECTION	12
DRAWING 4 – TRANSPORT POSITIONS	12
DRAWING 5 – HYDRAULIC ASSEMBLY	14
WARRANTY POLICY	16
WARRANTY CARD (INSERT)	

RED ROO SALES & SERVICE COMPANY PTY. LTD.

41-43 Keysborough Avenue, Keysborough, Victoria, Australia 3173
Tel.: +61 (03) 9769 0455 Fax: +61 (03) 9769 0366

Outside Melbourne Metro: Tel.: 1300 133 767 Fax: 1300 133 757

redroo.com

ABOUT THIS MANUAL

The information contained in this manual has been prepared to assist you in the safe operation, the routine maintenance and general care of your Red Roo product. By following these guidelines, you may look forward to years of reliable service from your Red Roo. Information is categorised and denoted by the following symbols and phrases:



SAFETY FIRST Identifies general safety practices.



DANGER! An instruction which, if not followed, could result in serious or fatal injury.



WARNING! An instruction which, if not followed, could result in personal injury.



CAUTION! An instruction which, if not followed, could damage machine components.

Before operating this Machine read and observe all Warnings, Cautions and Instructions on the Machine and in the Operators Manual. Although the reading of information contained in this manual does not eliminate the risk involved in operating this machine, your understanding of this information will promote the correct and safe use of your machine. Failure to follow Instructions and Safety Information could result in serious injury or death.

HAZARD SYMBOLS & MEANINGS

Read	Hearing Protection	Eye Protection	Wear Gloves	Cut Hand
Electrical Shock	Hot Surfaces	Remove Spark Plug Leads	Toxic Fumes	Crush Hazard
No Bystanders	High Pressure Fluid	Explosion	Don't Refuel Hot Engine	Blade Hazard

SAFETY FIRST – Stay Alert, Do Not Get Hurt

Read this section before use!

A log splitter is designed to split wood and therefore is potentially dangerous. Careless or improper use may cause serious or even fatal injury.

It is important that you read and understand the contents of this manual and that you allow only mature, adult individuals to operate your log splitter. It is your responsibility to ensure that any individual who operates your log splitter has read and understood this manual.

Never use the log splitter for any other purpose than splitting wood. The machine is designed for this purpose only. Any other use may cause serious or even fatal injury and/or damage to the machine.

SAFETY PRECAUTIONS FOR HLS USERS

Outdoor Power Equipment Institute Recommendations















WARNING TO PURCHASERS OF INTERNAL COMBUSTION ENGINE EQUIPPED MACHINERY OR DEVICES:

The equipment which you have purchased does not have a spark arrester muffler. If this equipment is to be used on any forest and brush covered land or grass covered unimproved land, the law may require that a spark arrester muffler be installed and be in effective working order. The spark arrester must be attached to the exhaust system and comply with local authorities by-laws.




USE COMMON SENSE AND PLENTY OF IT

- 1)  **DO NOT** allow any person to operate the log splitter without first reading and understanding this manual. Also read and understand the engine manual. **Know the controls and how to stop the machine quickly in an emergency.**
- 2) **NEVER** allow children to operate the log splitter.
- 3) **ALWAYS** wear protective clothing when operating the log splitter. This includes, but is not limited to; safety glasses, loose fitting gloves, steel capped boots and hearing protection. **NEVER** wear loose fitting clothing or jewellery when operating the log splitter. Keep all clothing away from moving parts. Items could become caught in the machine, resulting in injury. 
- 4) **ALWAYS** operate the log splitter in a well lighted area..
- 5) **NEVER** operate the log splitter on slippery, wet, muddy, or icy surfaces. **ALWAYS** keep your work area clear and free of debris.
- 6)  **DO NOT** allow bystanders near the log splitter while in operation. It is up to the operator to keep bystanders and animals a minimum of 6 metres (18 feet) away from the log splitter while in operation.
- 7) **NEVER** operate the log splitter when fatigued. **ALWAYS BE ALERT!** If you get tired while operating the log splitter, take a break. If you have any type of physical or mental condition that may be aggravated by strenuous work, check with your physician before you operate this equipment. **NEVER** operate the log splitter under the influence of medication, alcohol or drugs.
- 8)  **NEVER** step over the log splitter when it is running – walk around the log splitter to get to the other side.
- 9)  **NEVER** have your hands between the ram and the log, between the log and the wedge, or between two logs. **NEVER** position log by placing your hand(s) on the end(s) of the log. **ALWAYS** position a log by placing your hand(s) on the side(s) of the log.
- 10) **DO NOT** overspeed the engine or alter the governor settings. Excessive speed is dangerous and will shorten engine life.
- 11)  **NEVER** operate the log splitter in an enclosed area. Engine exhaust contains carbon monoxide, an odourless and tasteless poison.
- 12) **DO NOT** leave the machine unattended while the engine is running.
- 13) **STOP** the engine immediately if a hydraulic leak occurs. **DO NOT** operate unit with frayed, kinked, cracked or damaged hose, fittings or tubing. 
- 14)  **STOP** the engine and disconnect the spark plug lead(s) and allow engine to cool before inspecting or performing maintenance on the log splitter.
- 15) **REFUELLING**
 -  * Shut off engine. **DO NOT REFUEL AN ENGINE WHILE OPERATING!**
 - * Allow engine to cool. Minimum 5 minutes.
 - * **USE UNLEADED FUEL ONLY. Use clean, fresh unleaded fuel.**
 - * **Do not mix oil with unleaded fuel.**
 - * Do not over-fill fuel tank. Allow space for fuel expansion.
 - * Allow no naked flame or hot material in refuelling area. * Do not smoke.
 - * Use only approved fuel containers and funnels. Remember, fuel is a potential hazard.
 -  * Refer to engine owners manual for full details.



OPERATING INSTRUCTIONS

TRANSPORT

- 1)  **WARNING** make sure the hydraulic lifting platform is in the highest possible position (inside the mudguard) before towing. Make sure that the hydraulic ram has the ram extension in place to lift the platform to the highest possible position.

- 2) **DO NOT** exceed 80kms (50mph) per hour when towing.




BEFORE USE


- 1) Perform a thorough visual inspection of the log splitter.
- 2) **ALWAYS** keep your work area clear and free of debris.

OPERATION




- 1) Familiarize yourself with the log splitter and its controls.
- 2) Wear safety glasses, or helmet and visor combination, loose fitting gloves, and hearing protection.
- 3) **ALWAYS** make certain that all control levers are in the disengaged position prior to starting the engine.

- 4)  **DO NOT** allow bystanders near the log splitter while in operation. It is up to the operator to keep bystanders and animals a minimum of 6 metres (18 feet) away from the log splitter while in operation.


- 5)  Open fuel shut-off valve, if engine is equipped. Move choke control to CHOKE or START position. Note: Choke must fully close. Move throttle control to RUN or FAST position. If engine is equipped with rocker style stop switch, push RUN or I (I = Ignition) before starting. Rewind Starter: Grasp rope handle and pull slowly until resistance is felt to prevent kickback. Then pull cord rapidly to overcome compression and start engine. Repeat if necessary with choke off and throttle control in FAST position. Operate engine in FAST position.



- 6) Place wood onto the lifting table. (Do not exceed 250 kgs/550lbs.)
- 7) Lift the wood and roll the wood between the head stock and the splitting head.
- 8)  **NEVER** have your hands between the ram and the log, between the log and the wedge, or between two logs.
NEVER position log by placing your hand(s) on the end(s) of the log.
ALWAYS position a log by placing your hand(s) on the side(s) of the log.

- 9) When splitting wood **ALWAYS** operate the log splitter in front of the axle on the control valve side of the beam.
- 10) Bring the splitting head up to the log and **"FEEL"** the splitting head into the log. Do not try to force the split, back off and move around the log. Remove hands from log once held by splitting head then proceed to split.

- 11) Split wood in the direction of the grain **only**. Logs to be split should be cut as squarely as possible.
- 12) Never attempt to load the splitter while the ram is in motion.

- 13)  **NEVER** straddle or climb over the splitter while in use.

- 14) **NEVER** insert hands or fingers into the cracks of the log during the splitting procedure.







- 15) **Stop Engine:** Do not move choke control to CHOKE position to stop engine. Backfire or engine damage may occur. Move throttle control to SLOW position, then push rocker switch to 0 (STOP), or turn key to OFF, if equipped.



Typical Stop Switches

AFTER USE

- 1)  Turn fuel tap to "OFF" position. 
- 2)  Allow machine to cool down. 
- 3) Store engine on compression – top dead centre.
- 4) Clean with warm soapy water. Ensure no water enters the carburettor.

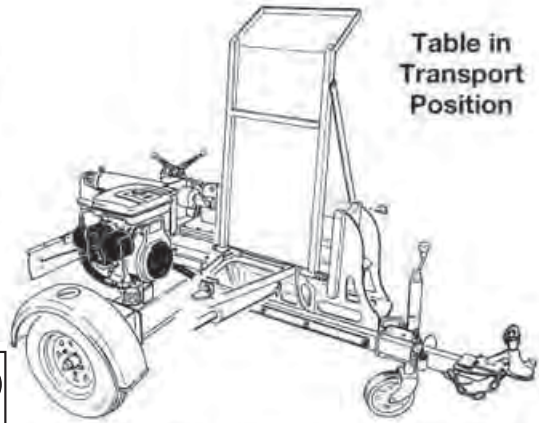
SAFE TRANSPORTATION

Before transporting the Red Roo Log Splitter over the road, turn the fuel off by means of the shut-off valve located under the fuel tank.



WARNING make sure the hydraulic lifting platform is in the highest possible position (inside the mudguard) before towing. Make sure that the hydraulic ram has the ram extension in place to lift the platform to the highest possible position.

DO NOT exceed 80kms (50mph) per hour when towing.



If a considerable amount of towing or over the road use is necessary, the wheel bearings should be routinely serviced and repacked with wheel bearing grease.



GENERAL OPERATION OF THE LOG SPLITTER

The engine operates a pump which supplies high pressure oil to the cylinder via a control valve and high pressure hoses. When the control valve is moved to the forward extend position, oil is allowed to flow through the hoses to the rear of the cylinder which, forces the ram to extend outward toward the wedge. When the control lever is reversed and put in the retract position, the direction of the oil flow is changed and the high pressure oil is forced into the front of the cylinder, retracting the ram. A large reservoir stores and cools the hydraulic oil and incorporates a high density filter to remove any foreign particles. This extends the service life of your log splitter. A safety relief valve is preset at the factory to protect the hydraulic system from excessive pressures.

Your Red Roo Hydraulic Log Splitter is precision engineered. Your safety has been considered in every feature and component of your Red Roo Log Splitter.



GENERAL SAFETY INFORMATION

TRAINING

- Read the operator's manual completely before attempting to use this log splitter.
- Do not allow anyone to operate your log splitter who has not read the operators manual or has not been instructed on the safe use of this hydraulic log splitter.
- Never allow children or untrained adults to operate this machine.
- Never allow anyone to ride on the machine.
- Never transport cargo on the log splitter.
- Be familiar with all controls and with the proper use of the equipment.

Know how to stop the machine in an emergency.

- Always wear safety shoes or heavy boots.
 - Always wear safety glasses or goggles when operating the machine.
 - Avoid wearing jewelry or loose clothing that might become entangled in moving or rotating parts of the machine.
- G. High fluid pressures are developed in hydraulic log splitters. Pressurized hydraulic fluid escaping through a pin hole opening can puncture skin and cause severe injury. The following instructions should be heeded at all times.
- Do not operate the unit with frayed, kinked, cracked or damaged hoses, fittings or tubing.
 - Stop the engine and relieve hydraulic system pressure before changing or adjusting fittings, hoses, tubing or other system components.
 - Do not adjust the pressure settings of the pump or valve.
 - Avoid contact with high pressure fluids. Oil escaping from a small hole can be almost invisible, but it can penetrate skin causing serious injury. Use pieces of wood or cardboard, rather than hands to find suspected leaks.



- H. Make sure the splitter is on a level surface. Block the wheels securely before operating the machine. Keep the operator zone and adjacent area clear for safe, secure footing.
- I. Always operate the splitter from the indicated operator zone, in front of axle on the control valve side of the beam only.
- J. Your log splitter is equipped with an internal combustion engine and if it is used near any unimproved forest, brush or grass covered land, the engine exhaust should be equipped with a spark arrestor. Take appropriate fire fighting equipment with you. Make sure you comply with local, state and federal codes.
- K. The log splitter should be used only for splitting wood and only in the direction of the grain. Logs to be split should be cut as square as possible.

FUELING



REFUELLING

- * Shut off engine. **DO NOT REFUEL AN ENGINE WHILE OPERATING!**
- * Allow engine to cool. Minimum 5 minutes.
- * **USE UNLEADED FUEL ONLY. Use clean, fresh unleaded fuel.**
- * **Do not mix oil with unleaded fuel.**
- * Do not over-fill fuel tank. Allow space for fuel expansion.
- * Allow no naked flame or hot material in refuelling area. ***DO NOT** smoke near this operation.
- * Use only approved fuel containers and funnels. Remember, fuel is a potential hazard.
- * Refer to engine owners manual for full details.



LUBRICATION & OIL CHANGE



1. Oil change intervals may be modified depending on actual operating conditions. Refer to Engine Manual.
2. Oil should be changed when warm. This will prevent the build up of sludge deposits. Flush interior or unit with fluid recommended by oil companies.
3. Check oil level at least once per month. If more than 10% of total oil capacity must be added, check for oil leaks.
4. Use only the prescribed oil when refilling. Refer to Engine Manual.
5. **DO NOT** mix oils of different viscosity, not even those of the same brand.
6. **NEVER** mix mineral & synthetic oils.
7. Cleanliness is necessary when changing oil.
8. Hydraulic system capacity is 7.5L/1.6 gal. Use Castrol Hyspin 68 or equivalent quality hydraulic oil.

Hydraulic Fluid is to be checked by visual inspection of the sight glass located on the hydraulic tank.

Hydraulic oil should be changed once a year or in accordance with manufacturer's specifications. Operating this unit in rental, commercial, or in extremely dusty or dirty conditions may require more frequent service intervals.

MAINTENANCE & STORAGE

- A. Clean debris and chaff from engine cylinder, cylinder head fins, blower housing rotating screen and muffler areas. If the engine is equipped with a spark arrester muffler, clean and inspect it regularly (follow engine manufacturers service instructions). Replace, if damaged.
- B. Never store equipment with fuel in the tank inside a building where fumes might reach an open flame or spark. Allow the engine to cool before storing in any enclosure.
- C. To prevent accidental starting, remove spark plug or cable from spark plug and insert terminal in v-notch in cylinder head before working on engine or log splitter.
- D. Check to be sure all nuts and bolts are tight to assure the equipment is in safe working condition.
- E. Store engine on compression – top dead centre.

CARING FOR POWDERCOATED FINISH

The effects of ultra violet light, pollution, dirt, grime, and salt deposits accumulate on the powder coated surface of your machine over time. To extend the effective life of the powder coated surface, a regular maintenance program should be implemented for the removal of any debris or residues.

As a general rule the machine should be cleaned after every use.

- 1) Remove any loose deposits with a wet sponge
- 2) Use a soft brush (non abrasive) or cloth, and a mild household detergent solution to remove any dirt, or grime
- 3) Pressure wash or rinse when finished

Detergents that recommend the use of gloves when handling should be avoided. The detergent may be too harsh and therefore unsuitable for cleaning your powder coating. Although some strong solvents are recommended for removing grease, or other stubborn residues these may be harmful to the extended life of the powder coated surface. If paint splashes or other residue needs to be removed then use methylated spirits, turpentine, or white spirits.



FINAL CHECK AND REMINDER

1. Make sure you have read the safety and start up procedures in the Owners Manual.
2. Make sure all bolts, fittings, and hoses are tight. If fittings are not tight, log splitter will not function properly.
3. Make sure Castrol Hyspin 68 or equivalent quality hydraulic oil is in the hydraulic system before starting the engine and that the engine has been serviced with oil, fuel and a clean air filter.
4. Check for oil leaks on initial start-up.
5. Double check levels in engine and hydraulic system before splitting your wood.
6. Turn the fuel off before towing.
7. While towing, obey all local, state and federal laws.

DECALS



0401-0001 x 3



0401-0071 x 2



0401-0072 x 1



0401-0074 x 1



0401-0085 x 1



0401-0084 x 1



0401-0034 x 2 (Small Version 0401-0036 x 1)

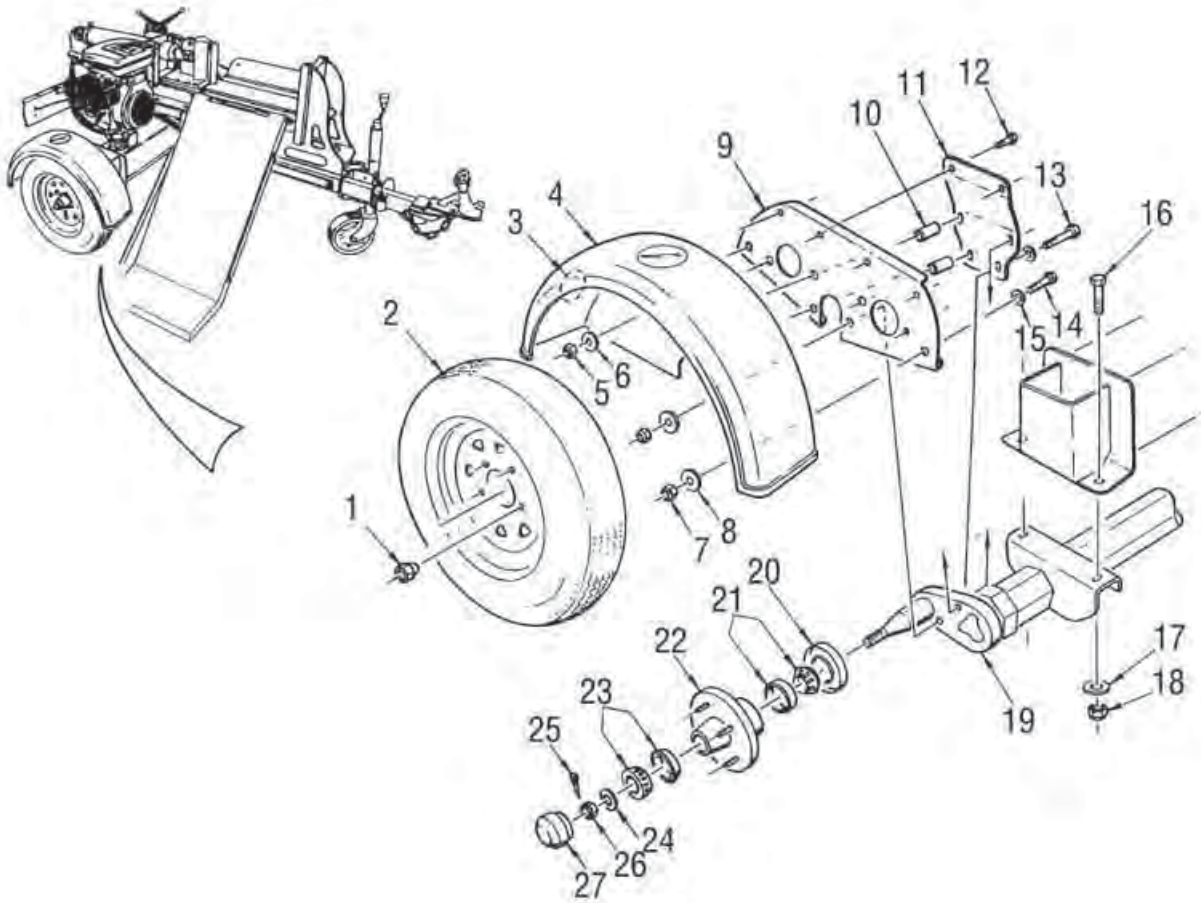


0401-0065 x 1

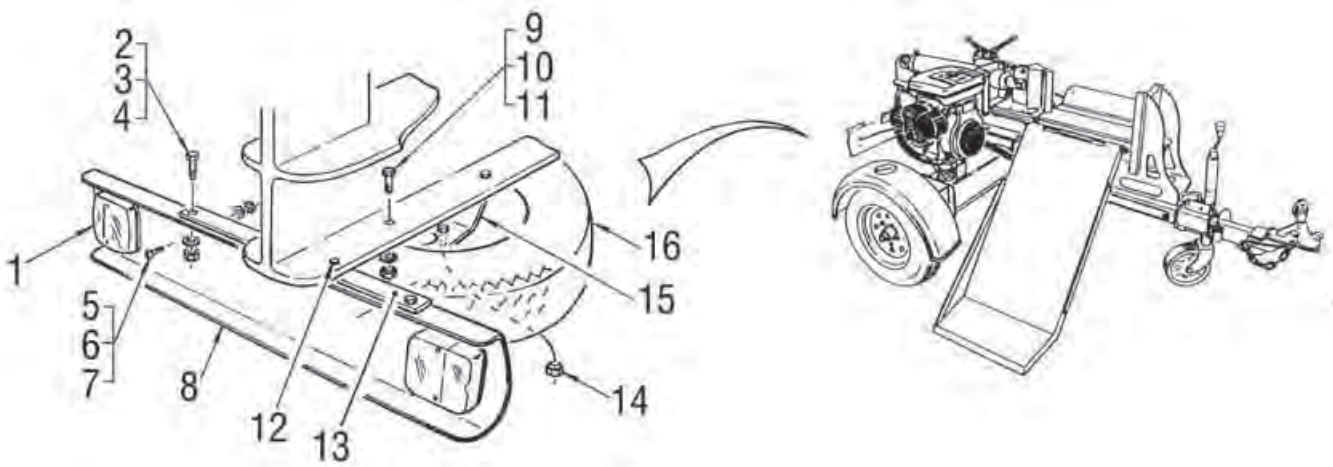
0401-0038 x 1



HLS DRAWING 1



HLS DRAWING 2 LIGHT KIT & SPARE WHEEL ASSEMBLY



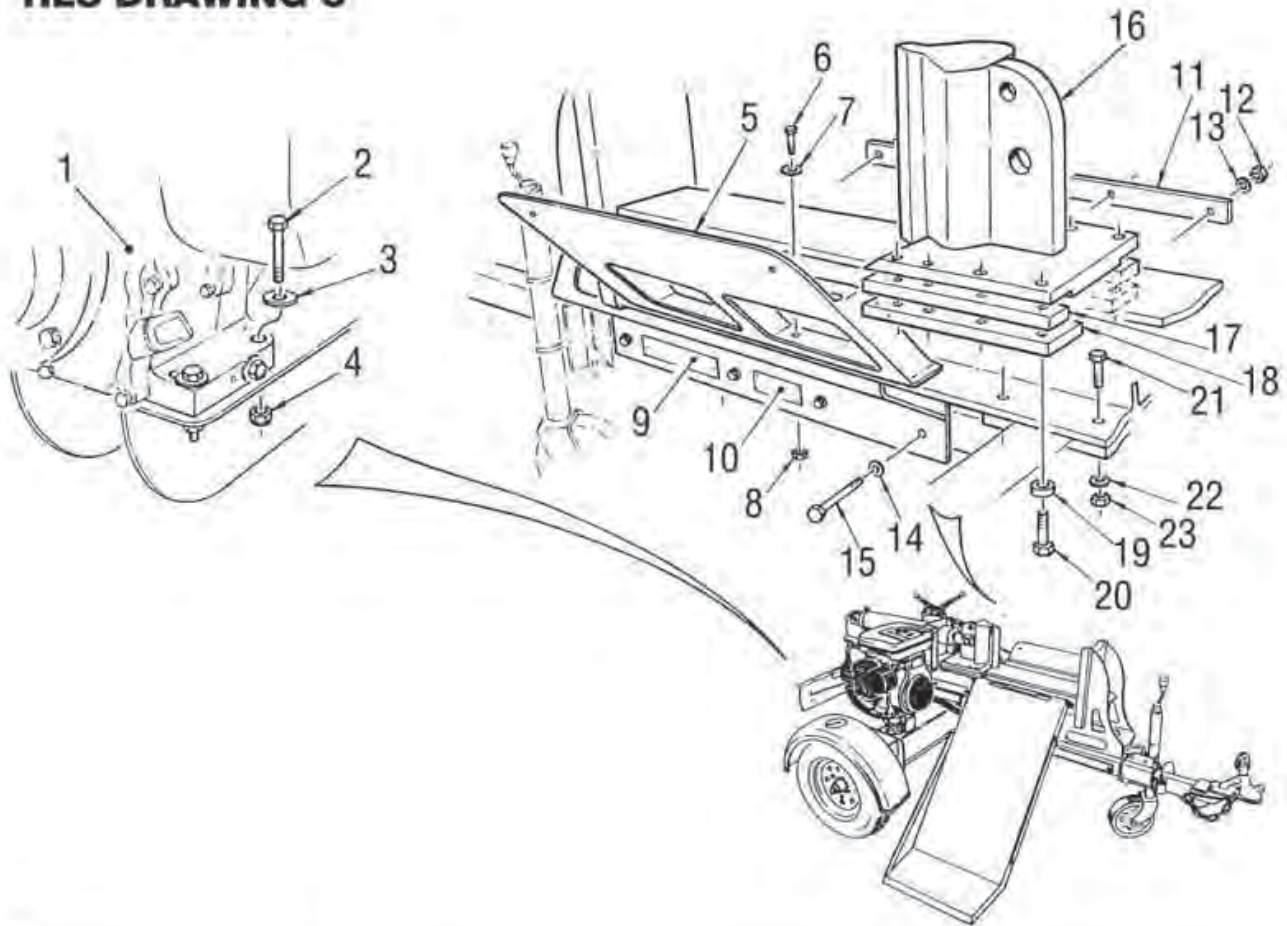
PARTS LIST FOR HLS DRAWING 1

Item No.	Part No.	Description	Quantity
1	1401-0055	Nut, Wheel Lug	10
2	2305-0012	Wheel Assembly	2
3	1202-0002	Reflector	2
4	0606-0005	Guard, Mud	2
5	1401-0504	Nut	16
6	2301-0033	Washer	4
7	1401-0023	Nut	4
8	2301-0021	Washer	4
9	0214-0101	Bracket, Guard	2
10	1913-0078	Spacer	4
11	0214-0102	Bracket, Support	2
12	0209-0624	Bolt / M6 x 20	16
13	0209-0127	Bolt	4
14	0209-0139	Bolt	4
15	2301-0021	Washer	8
16	0209-0515	Bolt	4
17	2301-0040	Washer	4
18	1401-0053	Nut	4
19	0103-0007	Axle	1
20	1902-0007	Seal, Hub	2
21	0204-0014	Bearing Assembly, Rear	2
22	0806-0016	Hub	2
23	0204-0034	Bearing Assembly, Front	2
24	2301-0028	Washer	2
25	1604-0026	Pin, Cotter	2
26	1401-0010	Nut, Castle	2
27	1906-0601	Shield, Dust	2

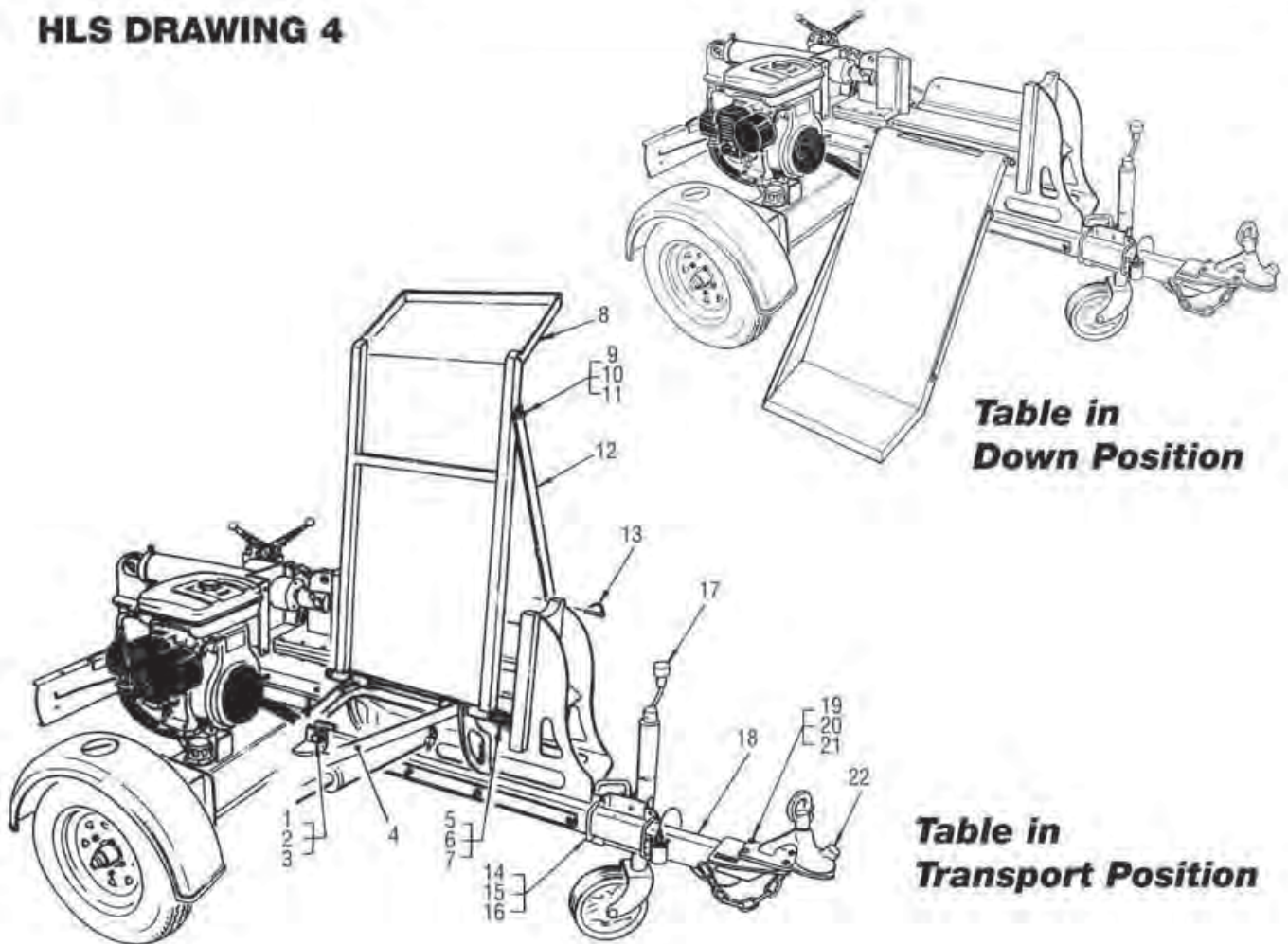
PARTS LIST FOR HLS DRAWING 2

Item No.	Part No.	Description	Quantity
1	1201-0002	Lens Assembly	2
2	0209-0109	Bolt	2
3	2301-0018	Washer	4
4	1401-0023	Nut	2
5	0208-0601	Metal Thread	8
6	2301-0004	Washer	8
7	1401-0002	Nut	8
8	1105-0004	Bracket Indicator, Main	1
9	0209-0115	Bolt	4
10	2301-0018	Washer	4
11	1401-0023	Nut	4
12	1901-0001	Screw	2
13	0214-0076	Bracket, Indicator Support	1
14	1401-0055	Nut, Wheel	2
15	0214-0067	Bracket, Spare Wheel	1
16	2305-0012	Wheel Assembly	1

HLS DRAWING 3



HLS DRAWING 4



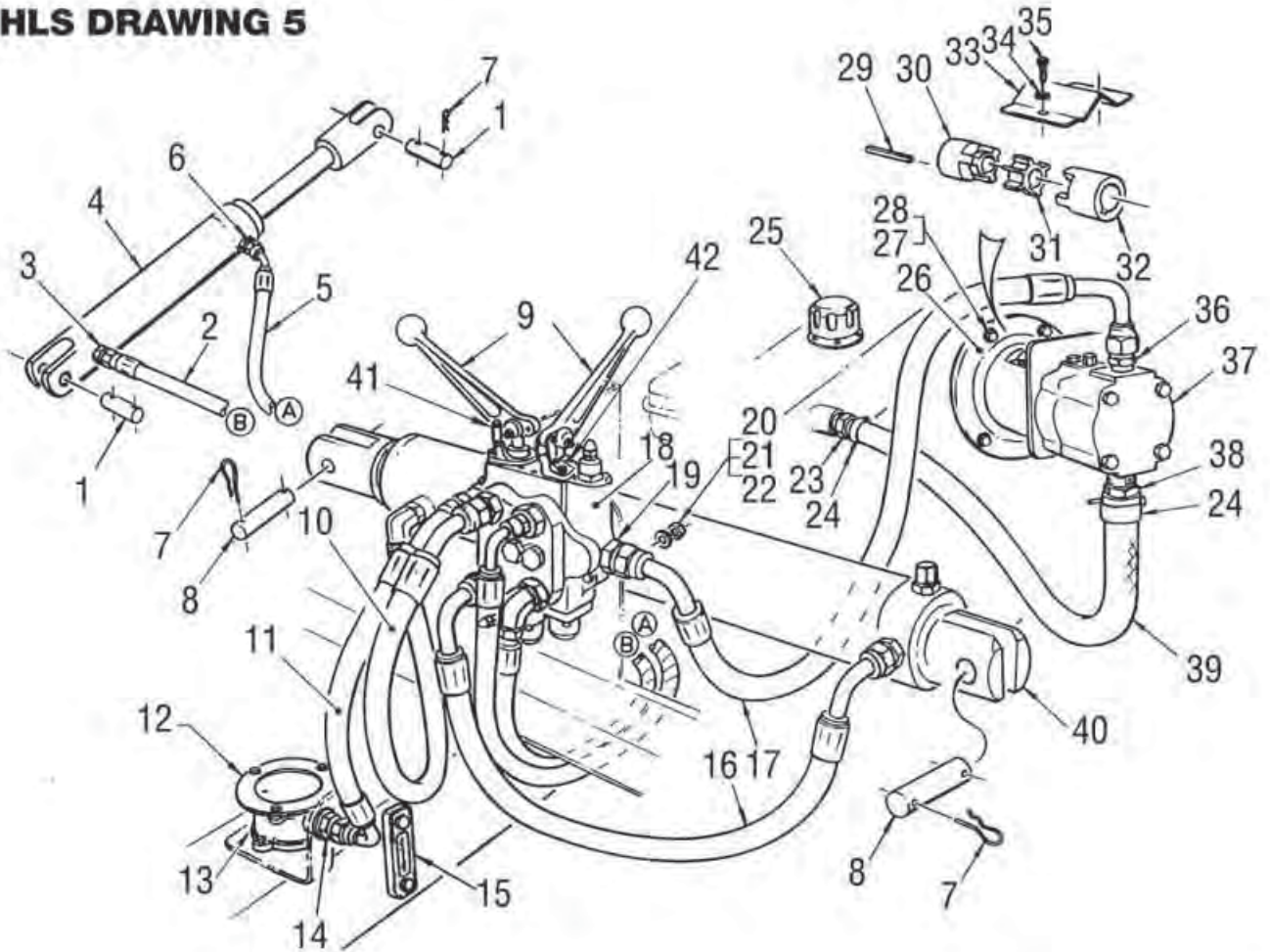
PARTS LIST FOR HLS DRAWING 3

Item No.	Part No.	Description	Quantity
1	0503-0023	Engine	1
2	0209-0300	Bolt	4
3	2301-0022	Washer	2
4	1401-0034	Nut	4
5	0308-0001	Cradle	1
6	0209-0121	Bolt	3
7	2301-0018	Washer	3
8	1401-0023	Nut	3
9	0401-0086	Plate, Vin	1
10	0401-0049	Plate, Serial Number	1
11	1918-0015	Bracket, Strap	1
12	1401-0034	Nut	5
13	2301-0022	Washer	5
14	2301-0024	Washer	5
15	0209-0348	Bolt	5
16	2306-0001	Wedge, Splitter Head	1
17	1913-0046	Spacer Bar, Guide	2
18	0705-0005	Guide	2
19	2301-0010	Washer	8
20	0209-0620	Bolt	8
21	0209-0520	Bolt	4
22	2301-0006	Washer	4
23	1401-0052	Nut	4

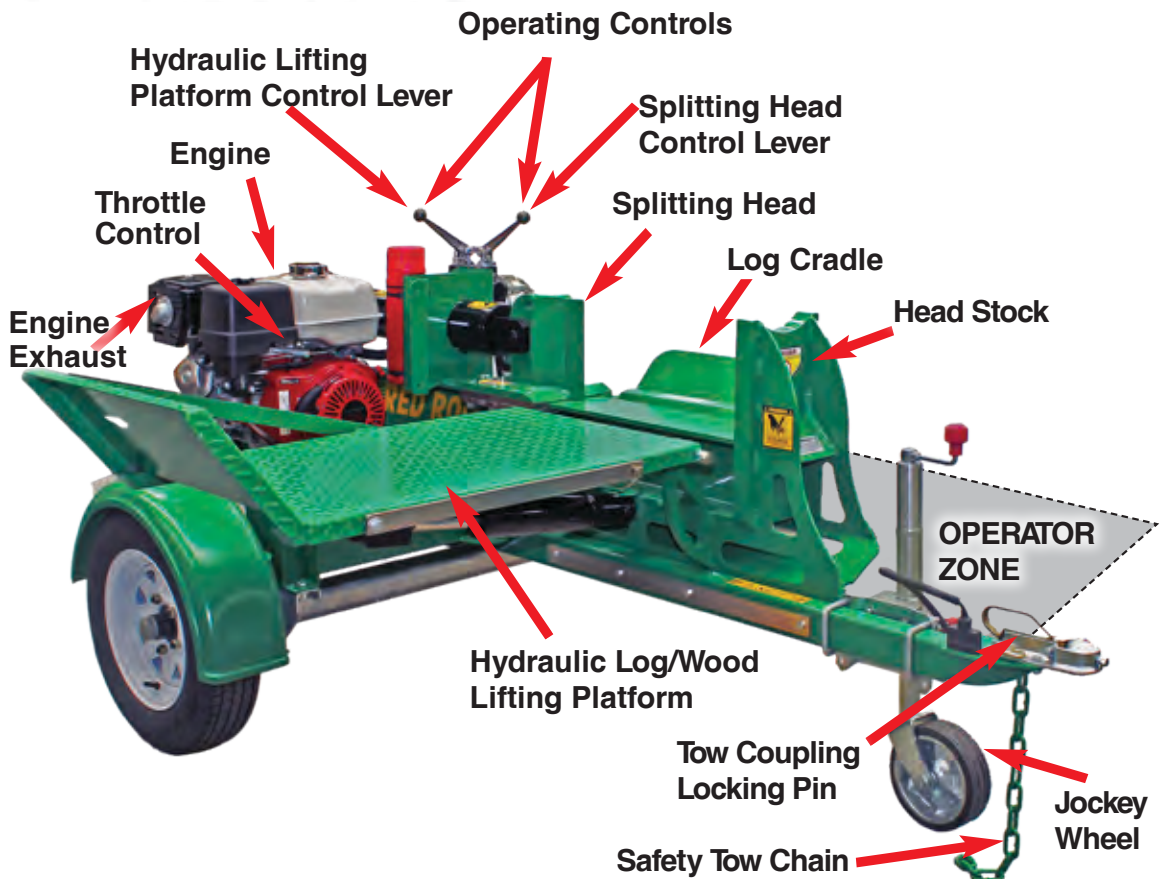
PARTS LIST FOR HLS DRAWING 4

Item No.	Part No.	Description	Quantity
1	0209-0348	Bolt	1
2	2301-0024	Washer	2
3	1401-0034	Nut	1
4	0102-0015	Lift, Boom	1
5	1808-0022	Tie, Rod	2
6	1401-0070	Nut, Jam	2
7	1401-0071	Nut	2
8	0605-0027	Table, Lift	1
9	0209-0326	Bolt	1
10	2301-0024	Washer	3
11	1401-0034	Nut	1
12	1208-0006	Bracket / Latch Bar	1
13	1604-0014	Pin, Retaining	1
14	0209-0030	Bolt-U	2
15	2301-0008	Washer	2
16	1401-0052	Nut	2
17	2305-0006	Wheel, Jockey	1
18	0605-0026	Draw Bar	1
19	0209-0520	Bolt	4
20	2301-0008	Washer	4
21	1401-0052	Nut	4
22	0316-0004	Coupling, Tow	1

HLS DRAWING 5



“STAY ALERT – DON’T GET HURT”



PARTS LIST FOR HLS DRAWING 5

Item No.	Part No.	Description	Quantity
1	1604-0090	Pin, Table Lift Cylinder	2
2	0812-0050	Hose	1
3	0603-0064	Fitting (Restrictor)	1
4	0319-0005	Cylinder, Lift	1
5	0812-0049	Hose	1
6	0603-0065	Fitting	1
7	0209-0019	Bolt	4
8	1604-0091	Pin, Main Cylinder	2
9	2201-0007C	Lever, Control	1
10	0812-0051	Hose	1
11	0812-0048	Hose	1
12	0704-0038	Guard, Filter	1
13	0610-0031	Filter, In Line	1
14	0603-0066	Fitting	1
15	0706-0005	Gauge, Site	1
16	0812-0052	Hose	1
17	0812-0047	Hose	1
18	2201-0007	Valve	1
19	0603-0067	Fitting	1
20	0209-0127	Bolt	3
21	1401-0023	Nut	3
22	2301-0018	Washer	3
23	0603-0067	Fitting	1
24	0307-0025	Clamp	1
25	0303-0010	Cap	1
26	0806-0021	Housing	1
27	2301-0006	Washer	4
28	0209-0320	Bolt	4
29	1102-0002	Key	1
30	0316-0001	Coupling	1
31	0316-0009	Spider	1
32	0316-0008	Coupling	1
33	0704-0053	Cover	1
34	2301-0506	Washer	1
35	0209-0031	Bolt	2
36	0603-0069	Fitting	1
37	1609-0003	Pump, Hydraulic	1
38	0603-0070	Fitting	1
39	0812-0046	Hose	1
40	0319-0004	Cylinder, Hydraulic Main	1
41	2201-0007A	Lever Pin Kit	2
42	2201-0007B	Lever Bracket	2

safety
IS EVERYBODY'S BUSINESS
...now

You alone know the operational demands and special conditions affecting the equipment in your situation and therefore assume the responsibility for developing, carrying out, and enforcing the safety concepts which apply to your own operation to effect the greatest safety for yourself and the people around you.

Hop to **redroo.com**



[Home](#) [Products](#) [Parts & Accessories](#) [Videos](#) [Red Roo Rents](#) [Red Roo Media](#) [Support](#) [Our Company](#) [Contact Us](#)

[home / products](#)

PRODUCTS

Red Roo provide extensive range of Commercial Environmental Equipment to Hire and Rental Industry, Arborist, Local Government Council



[Chippers, Shredders & Mulchers](#)



[Commercial Wood Chippers](#)



[Stump Grinders - Up to 27hp](#)



[Stump Grinders - Up to 250hp](#)



[Log Splitters](#)



[Post Hole Diggers](#)



[Rotary Hoes](#)



[Trenchers](#)



[Trailers](#)



[Turf Cutters](#)



[Aerator](#)



[Rigging Gear](#)

and explore our **PRODUCTS**



Superseding Warranty
Red Roo Group of Companies
Warranty Policy
effective January 1, 2013

Replaces all dated/undated previous Warranties and all Warranties dated prior to January 1, 2013.

"For a time period shown below from date of purchase, pending owner registration, Red Roo Sales & Service Company, P/L, herein referred to as "MANUFACTURER", will, at its option, repair or replace for the original purchasers of new Red Roo equipment, free of charge, any part, or parts of the unit (excluding Power Unit, warranty coverage provided by respective engine manufacturer), found upon inspection and testing by a Factory Authorised Agent, or by the Factory at Keysborough, Victoria, to be defective in material or workmanship or both under normal operating conditions; this is the exclusive remedy. All transportation charges on parts submitted to the MANUFACTURER for replacement under this Warranty are the responsibility of the purchaser.

This Warranty shall not apply to any product that has been altered, modified, or operated in a manner not approved or recommended by the MANUFACTURER. Warranty will be null and void in the following circumstances: (1) repairs or attempted repairs have been performed by persons other than agents authorised by the MANUFACTURER; (2) repairs are required because of normal wear; (3) the unit has been subject to abuse or involved in an accident; (4) misuse is evident, such as that caused by an application that unit is not intended to perform.

The MANUFACTURER reserves the right to modify, alter, or otherwise improve any product or part.

The purchaser is responsible for the performance of regular maintenance services as specified in the operator manual applicable to the unit. Untimely and/or improper care and replacement of normal maintenance items (eg.: filters, belts, drive chains, blades, knives, lubricants) may void Warranty. Use of non genuine Red Roo parts may void Warranty.

THERE IS NO OTHER EXPRESS WARRANTY. IMPLIED WARRANTIES, INCLUDING THOSE OF MERCHANTABILITY AND FITNESS FOR A PARTICULAR PURPOSE ARE LIMITED TO 14 DAYS FROM PURCHASE, AND TO THE EXTENT PERMITTED BY LAW ANY AND ALL IMPLIED WARRANTIES ARE EXCLUDED. LIABILITY FOR CONSEQUENTIAL DAMAGES UNDER ANY AND ALL WARRANTIES ARE EXCLUDED TO THE EXTENT EXCLUSION IS PERMITTED BY LAW. RED ROO GROUP OF COMPANIES DOES NOT AUTHORISE ANY PERSON OR ENTITY TO CREATE FOR IT ANY OTHER OBLIGATION OR LIABILITY IN CONNECTION WITH ITS PRODUCTS OR SERVICES. Some states do not allow limitations on how long an implied warranty lasts, and some states do not allow the exclusion of limitation of incidental or consequential damages, so the above limitation exclusion may not apply to you. This warranty gives you specific legal rights and you may also have other rights which vary from state to state."

Red Roo Sales & Service Company, P/L
James A. Kerr III
Managing Director

Warranty Period

All Equipment	Consumer Use* 365 Days	Commercial Use* 90 Days
---------------	---------------------------	----------------------------

* For the purposes of this warranty policy, "consumer use" shall mean personal residential household use by the original retail consumer. "Commercial use" shall mean all other uses, including use for commercial, income producing or hire purposes. Once a unit has experienced commercial use, it shall thereafter be considered as a commercial use unit for purposes of this warranty policy.

Proper registration of your Red Roo equipment is required to obtain warranty service. It is the responsibility of the original purchaser to register equipment within 10 days of purchase.

USE ONLY GENUINE RED ROO PARTS

safety

IS EVERYBODY'S BUSINESS

...now

You alone know the operational demands and special conditions affecting the equipment in your situation and therefore assume the responsibility for developing, carrying out, and enforcing the safety concepts which apply to your own operation to effect the greatest safety for yourself and the people around you.

 **RED ROO**™
Commercial Environmental Equipment